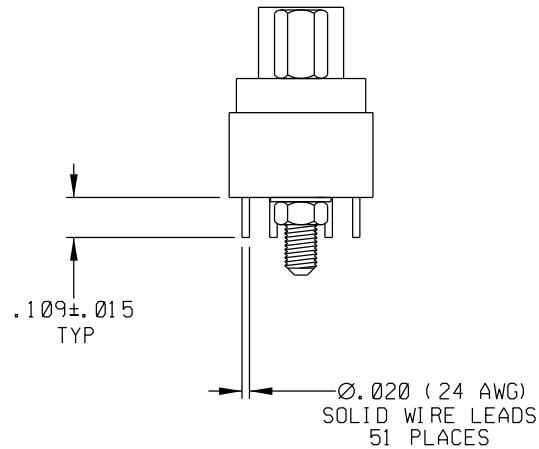
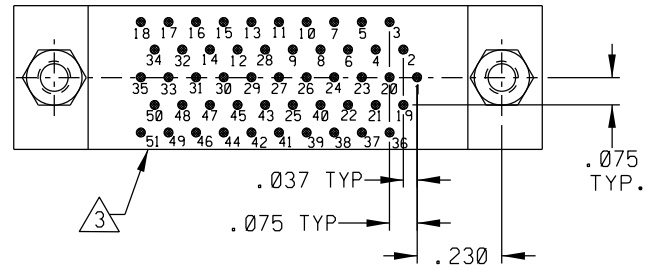
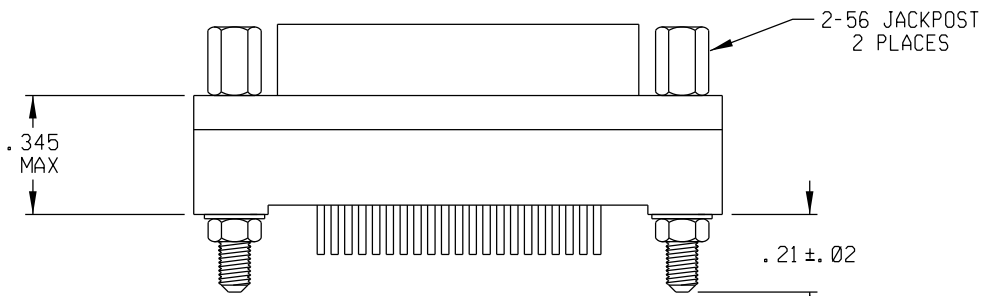
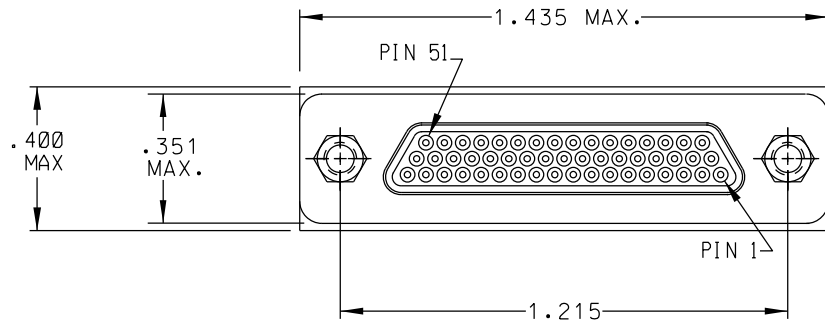


SD-8361 71 61 7

PART REV	DWG ISSUE	DATE	ECN NO.	APPVD BY	REL BY
-	-	8-26-10	UMI 4332	DW	DW



3 NUMBERS SHOWN ON BACKSHELL ARE FOR REFERENCE ONLY AND DO NOT APPEAR ON PART.

2 MATERIALS:
 SHELL: 6061-T6 ALUMINUM PER QQ-A200/8 NICKEL PLATED PER AMS 2404
 INSULATOR AND BACKSHELL: PPS PER MIL-M-24519 GST-40F
 PIN CONTACTS: C17200 BERYLLIUM COPPER PER ASTM-B194, GOLD PLATED PER ASTM B488
 24 AWG SOLID WIRE LEADS: TIN PLATED COPPER ALLOY
 HARDWARE: STAINLESS STEEL, PASSIVATED PER AMS 2700

1. MARKINGS: UMI, UMI DATE CODE, AND UMI PART NUMBER

NOTES: UNLESS OTHERWISE SPECIFIED

QUALITY SYMBOLS	UNLESS SPECIFIED: ALL DIMENSIONS IN INCHES	SCALE 3:1	DWG SIZE B	THIRD ANGLE PROJECTION	REVISE ON CAD ONLY	
	CRITICAL GENERAL TOLERANCES: 3 PLACE ± .005 2 PLACE ± .01 ANGULAR ± 2°	DRAWN BY & DATE DW 3-21-11	CHECKED BY & DATE SEE ECN	TITLE: CIRCUIT CONNECTOR, MALE CONTACTS, SIZE 51-3, STYLE 6 BACKSHELL, CM6R51-3P07-S01		
SPECIAL	ALL EXTERNAL SPECIFICATIONS REFERENCED ON THIS DRAWING SHALL BE TO THE LATEST REVISION IN EFFECT	APPROVED BY & DATE SEE ECN	MATERIAL: 2		Uti-Mate Connector Inc.	
KEY	Uti-Mate CAGE CODE 58967	CAD FILENAME SD-8361 71 61 7. DGN	PART NO. 8361 71 61 7	DRAWING NO. SD-8361 71 61 7	SHEET NO. 1 OF 1	PART REV -
	THIS DRAWING CONTAINS INFORMATION THAT IS PROPRIETARY TO ULTI-MATE INCORPORATED AND SHOULD NOT BE USED WITHOUT WRITTEN PERMISSION.					