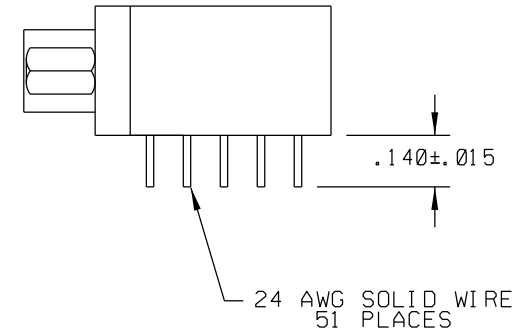
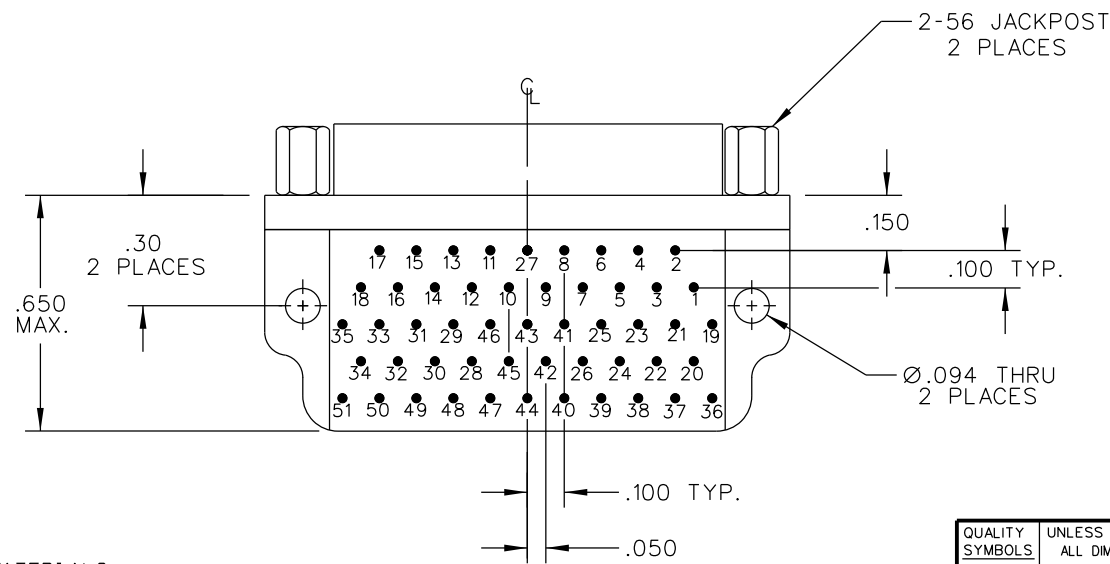
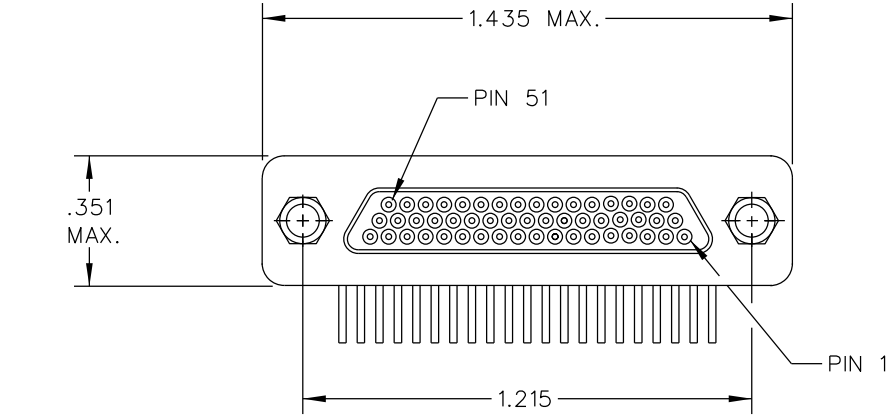


PART REV	DWG ISSUE	DATE	ECN NO.	APPVD BY	REL BY
-	-	10-20-10	UMI 4207	DW	DW



2 MATERIALS:
 SHELL: 6061-T6 ALUMINUM PER AMS-QQ-A200/8 NICKEL PLATED PER AMS 2404
 INSULATOR AND BACKSHELL: PPS PER MIL-M-24519 GST-40F
 PIN CONTACTS: C17200 BERYLLIUM COPPER PER ASTM B194
 GOLD PLATED PER ASTM B488-01
 24 AWG SOLID WIRE LEADS: TIN PLATED COPPER ALLOY
 HARDWARE: 300 SERIES STAINLESS STEEL, PASSIVATED PER AMS 2700
 1. MARKING: UMI, DATE CODE, UMI P/N.
 NOTES: UNLESS OTHERWISE SPECIFIED

QUALITY SYMBOLS	UNLESS SPECIFIED: ALL DIMENSIONS IN INCHES	SCALE NONE	DWG SIZE B	THIRD ANGLE PROJECTION	REVISE ON CAD ONLY
CRITICAL	GENERAL TOLERANCES: 3 PLACE ±.005 2 PLACE ±.01 ANGULAR ±2°	DRAWN BY & DATE DW 10-15-10	CHECKED BY & DATE SEE ECN	TITLE: CIRCUIT CONNECTOR, PLUG, SIZE 51, STYLE 1 (90?) BACKSHELL, CMI R51-3P07-0.140-S01	
SPECIAL	ALL EXTERNAL SPECIFICATIONS REFERENCED ON THIS DRAWING SHALL BE TO THE LATEST REVISION IN EFFECT	APPROVED BY & DATE SEE ECN	CAD FILENAME SD-836171127.DGN	MATERIAL: 2	Uti-Mate Connector Inc.
KEY	Uti-Mate CAGE CODE 58967	PART NO. 836171127	DRAWING NO. SD-836171127	SHEET NO. 1 OF 1	PART REV -
		THIS DRAWING CONTAINS INFORMATION THAT IS PROPRIETARY TO ULTI-MATE INCORPORATED AND SHOULD NOT BE USED WITHOUT WRITTEN PERMISSION.			