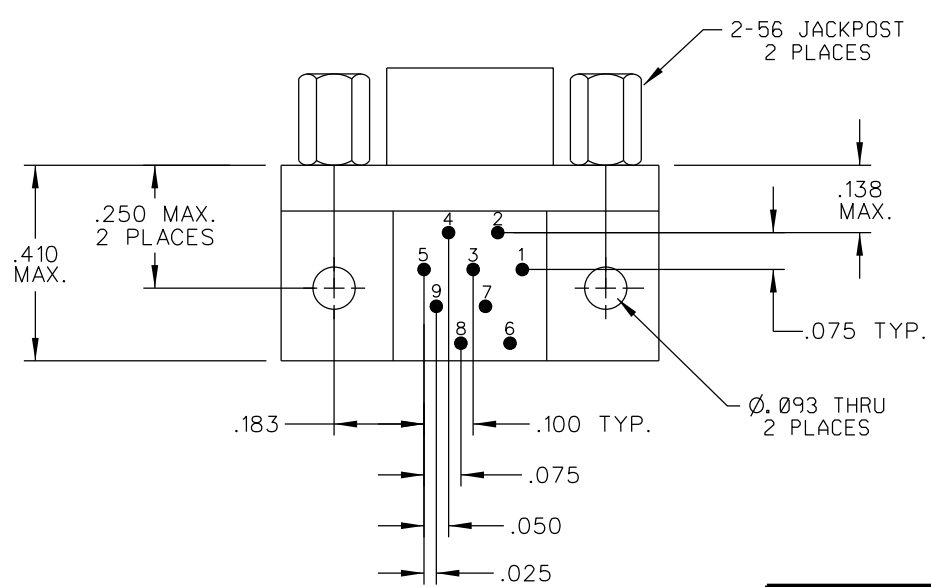
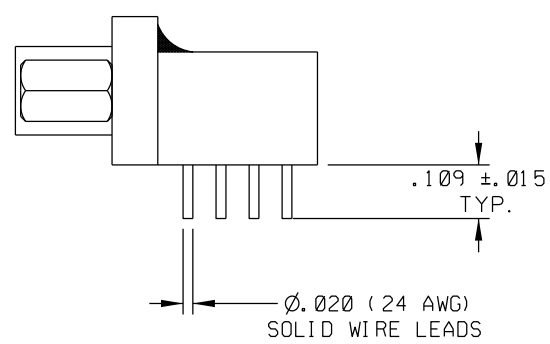
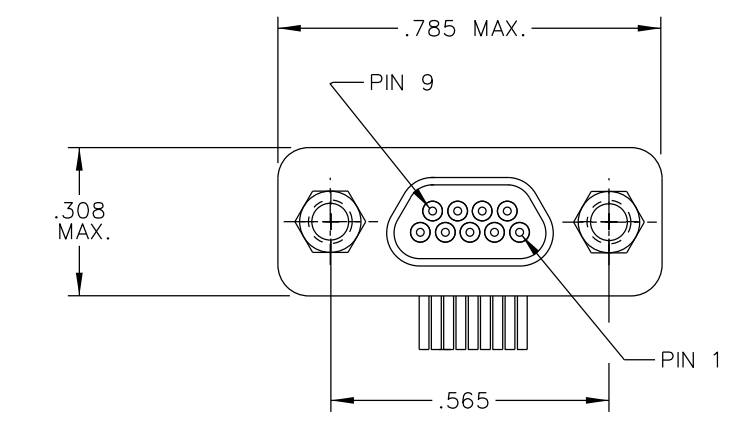


SD-836111817

PART REV	DWG ISSUE	DATE	ECN NO.	APPVD BY	REL BY
-	-	2-29-12	UMI 4581	DW	DW



MATERIALS:
 SHELL: 6061-T6 ALUMINUM PER AMS-QQ-A200/8 NICKEL PLATED PER AMS 2404
 INSULATOR AND BACKSHELL: PPS PER MIL-M-24519 GST-40F, COLOR: BLACK
 PIN CONTACTS: C17200 BERYLLIUM COPPER PER ASTM B194
 GOLD PLATED PER ASTM B488
 24 AWG SOLID WIRE LEADS: TIN PLATED COPPER PER A-A-59551 TYPE S
 HARDWARE: PASSIVATED STAINLESS STEEL IAW MIL-DTL-83513/5
 1. MARKING: UMI, DATE CODE, UMI P/N.

NOTES: UNLESS OTHERWISE SPECIFIED.

QUALITY SYMBOLS CRITICAL SPECIAL KEY	UNLESS SPECIFIED: ALL DIMENSIONS IN INCHES GENERAL TOLERANCES: 3 PLACE ±.005 2 PLACE ±.01 ANGULAR ±2°	SCALE NONE	DWG SIZE B	THIRD ANGLE PROJECTION	REVISE ON CAD ONLY
	ALL EXTERNAL SPECIFICATIONS REFERENCED ON THIS DRAWING SHALL BE TO THE LATEST REVISION IN EFFECT Ulti-Mate CAGE CODE 58967	DRAWN BY & DATE DW 2-29-12	TITLE: CIRCUIT PLUG, SIZE 9, STYLE 8 BACKSHELL, CM8R09P07-S01		
		CHECKED BY & DATE SEE ECN	MATERIAL:		
		APPROVED BY & DATE SEE ECN	CAD FILENAME SD-836111817.DGN	PART NO. 836111817	DRAWING NO. SD-836111817
		THIS DRAWING CONTAINS INFORMATION THAT IS PROPRIETARY TO ULTI-MATE INCORPORATED AND SHOULD NOT BE USED WITHOUT WRITTEN PERMISSION.			PART REV -

Ulti-Mate
Connector Inc.