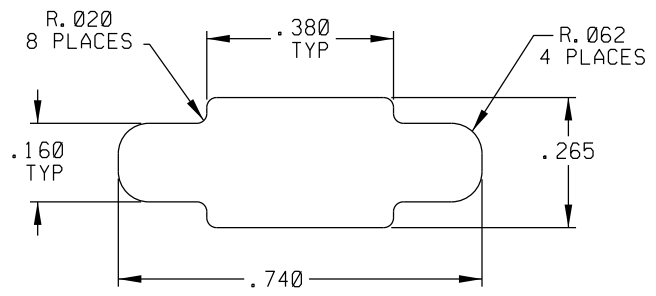
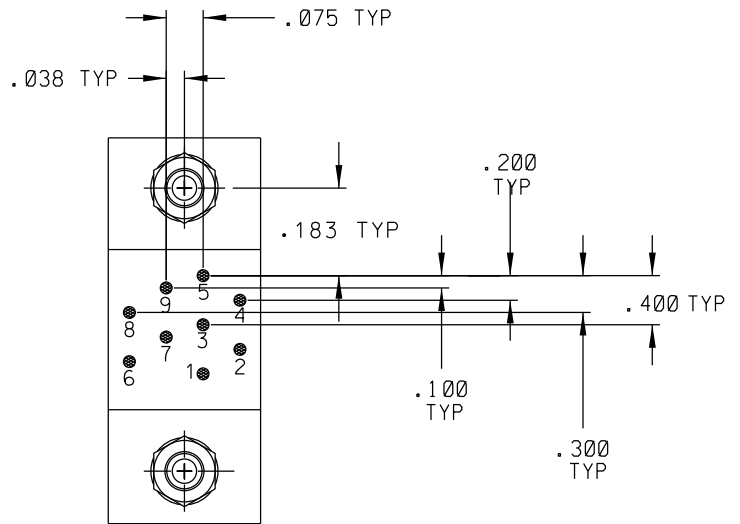
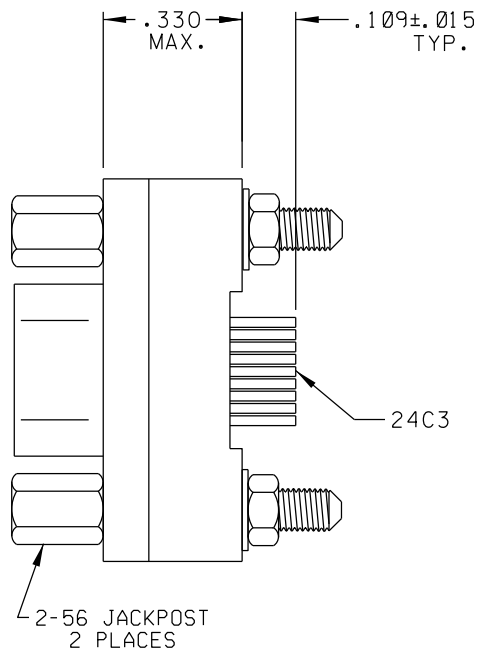
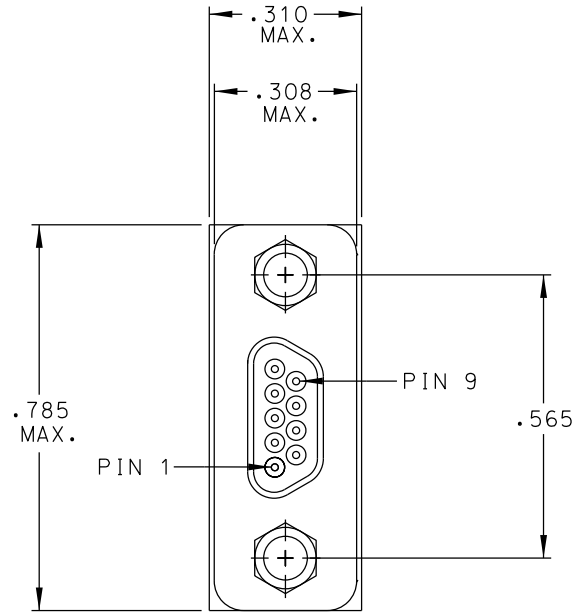


SD-836111617

PART REV	DWG ISSUE	DATE	ECN NO.	APPVD BY	REL BY
A	A	8DEC99	UM2000-0377	DW	DW
B	B	3-15-10	UMI 4063	DW	DW



1. MARKING: UMI, DATE CODE, UMI P/N.
 NOTES: UNLESS OTHERWISE SPECIFIED.

QUALITY SYMBOLS	UNLESS SPECIFIED: ALL DIMENSIONS IN INCHES	SCALE 4 : 1	DWG SIZE B	THIRD ANGLE PROJECTION	REVISE ON CAD ONLY
CRITICAL	GENERAL TOLERANCES: 3 PLACE ±.005 2 PLACE ±.01 ANGULAR ±2°	DRAWN BY & DATE D.URBACH 14DEC99	TITLE: CIRCUIT CONNECTOR, CM6R09P07-S01		
SPL/MINOR	ALL EXTERNAL SPECIFICATIONS REFERENCED ON THIS DRAWING SHALL BE TO THE LATEST REVISION IN EFFECT	CHECKED BY & DATE SEE ECN	MATERIAL:		
SPL/MAJOR		APPROVED BY & DATE SEE ECN	Uiti-Mate Connector Inc.		
KEY	Ulti-Mate CAGE CODE 58967	CAD FILENAME SD-836111617.DGN	PART NO. 836111617	DRAWING NO. SD-836111617	SHEET NO. 1 OF 1
		THIS DRAWING CONTAINS INFORMATION THAT IS PROPRIETARY TO ULTI-MATE INCORPORATED AND SHOULD NOT BE USED WITHOUT WRITTEN PERMISSION.			
					PART REV B