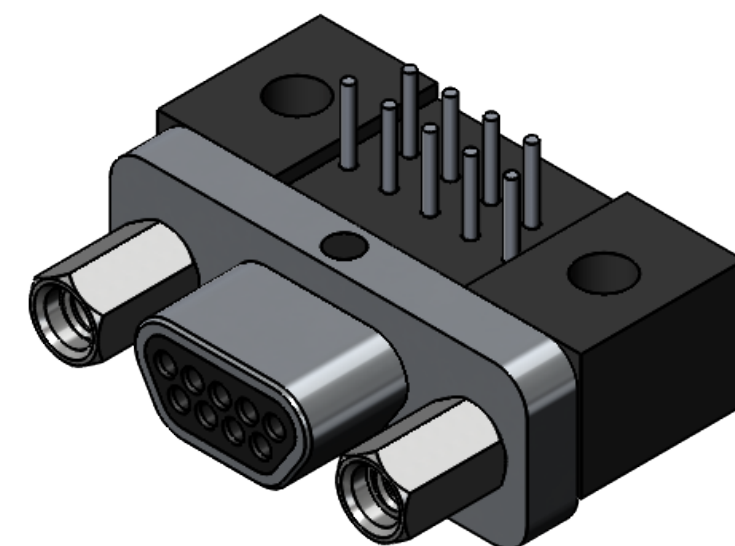
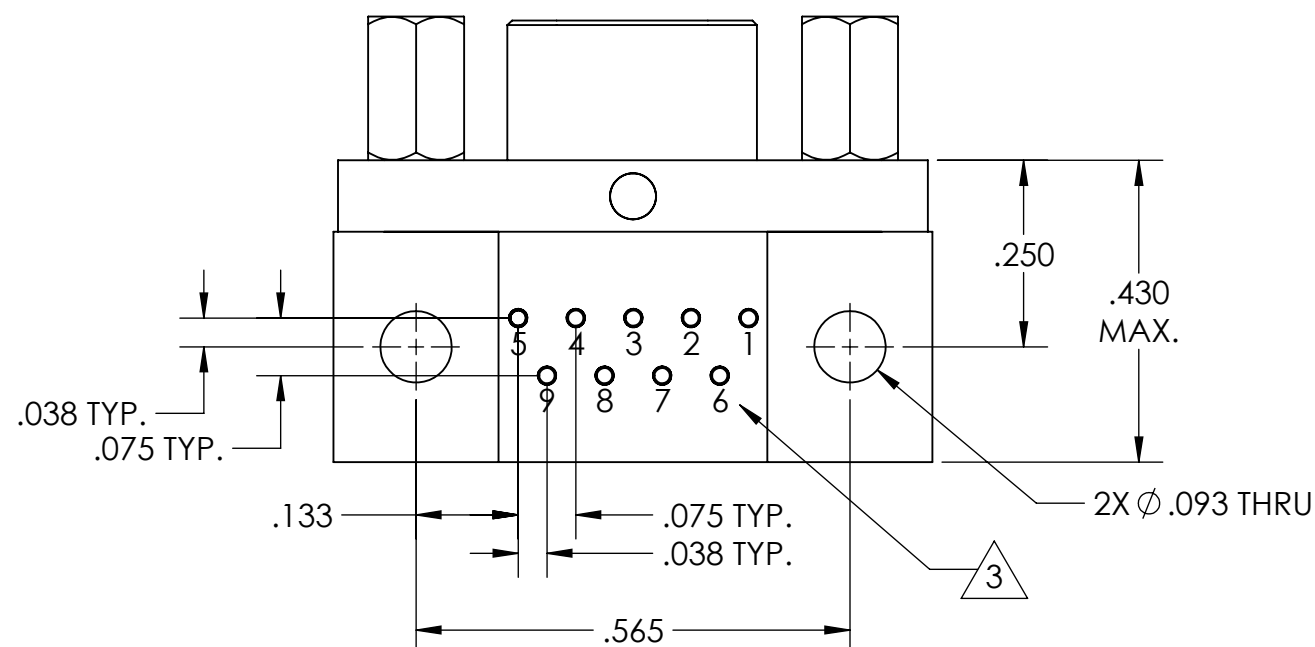
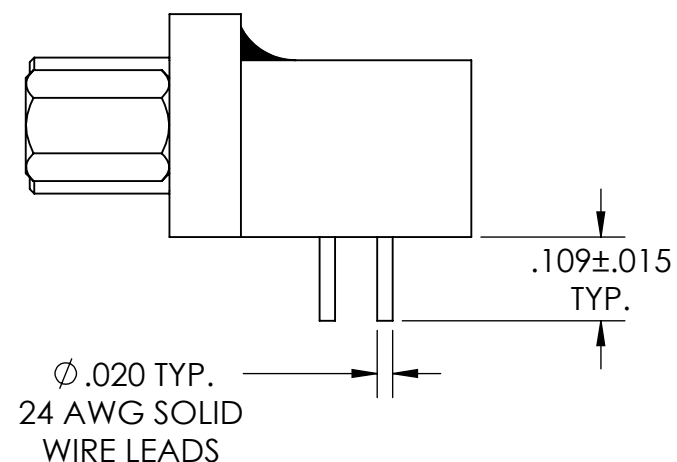
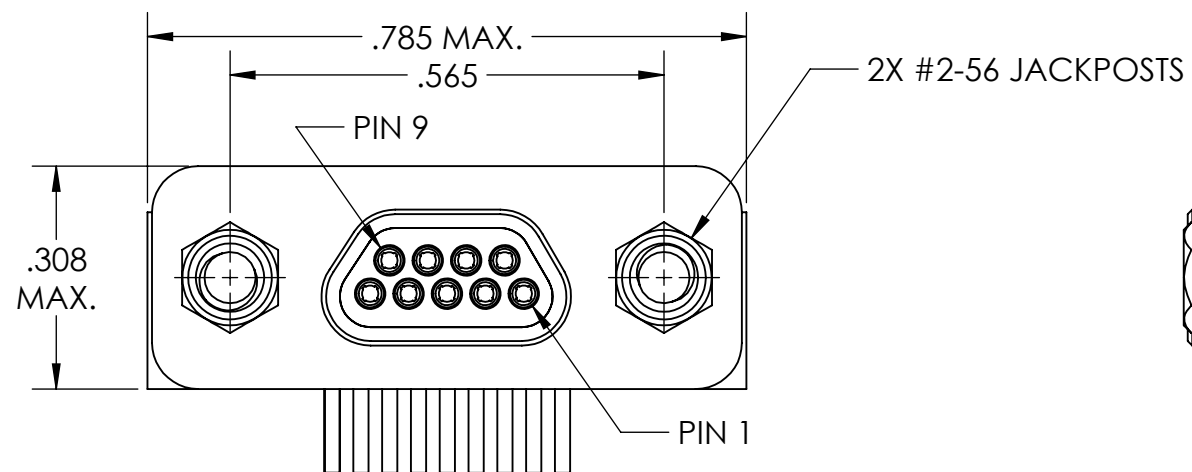


REVISIONS					
PART REV.	DWG. ISSUE	DATE	ECN NO.	APPVD. BY	REL. BY
A	B	7/21/2021	UMI7792	JA	DW



4. PERFORMANCE SPECIFICATIONS:
 CURRENT RATING: 3 AMPS MAX.
 DWV: 600 VAC
 TEMPERATURE RATING: 125°C
 CONTACT RESISTANCE: 8 MILLIOHMS MAX. AT 2.5 AMPS

△3 NUMBERS ON BACKSHELL ARE SHOWN FOR REFERENCE ONLY AND DO NOT APPEAR ON PART

- △2 MATERIALS:
 SHELL: 6061-T6 ALUMINUM PER SAE-AMS-QQ-A-200/8,
 NICKEL PLATED PER AMS-2404
 INSULATOR AND BACKSHELL: LCP (LIQUID CRYSTAL POLYMER) GLCP-30F
 PIN CONTACTS: C17200 BERYLLIUM COPPER PER ASTM B194,
 GOLD PLATED PER ASTM B488
 24 AWG LEADS: TIN PLATED COPPER ALLOY PER A-A-59551, TYPE S
 JACKPOSTS: PASSIVATED STAINLESS STEEL IAW MIL-DTL-83513/5

1. MARKING: "UMI", DATE CODE, UMI PART NUMBER, AND WORK ORDER NO.

NOTES: UNLESS OTHERWISE SPECIFIED

QUALITY SYMBOLS CRITICAL SPL/ MINOR SPL/ MAJOR KEY	UNLESS SPECIFIED: ALL DIMENSIONS IN INCHES GENERAL TOLERANCES: 3 PLACE ±.005 2 PLACE ±.01 ANGULAR ±2° ALL EXTERNAL SPECIFICATIONS REFERENCED ON THIS DRAWING SHALL BE THE LATEST REVISION IN EFFECT UMI-Mate CAGE CODE 58967	SCALE NONE	DWG SIZE B	THIRD ANGLE PROJECTION	REVISE ON CAD ONLY	
	DRAWN BY & DATE JA 7/21/2021	TITLE CIRCUIT CONNECTOR, PLUG, STYLE 9 BACKSHELL, SIZE 9, CM9R09P07-S01		MATERIAL △2		ENG PROJECT #
	CHECKED BY & DATE SEE ECN	APPROVED BY & DATE SEE ECN		PART NO. 836111317		DRAWING NO. SD-836111317
	CAD FILENAME SD-836111317.slddrw	SHEET NO. 1 OF 1		SHEET NO. 1 OF 1		PART REV. A
	THIS DRAWING CONTAINS INFORMATION THAT IS PROPRIETARY TO ULTI-MATE INCORPORATED AND SHOULD NOT BE USED WITHOUT WRITTEN PERMISSION.					