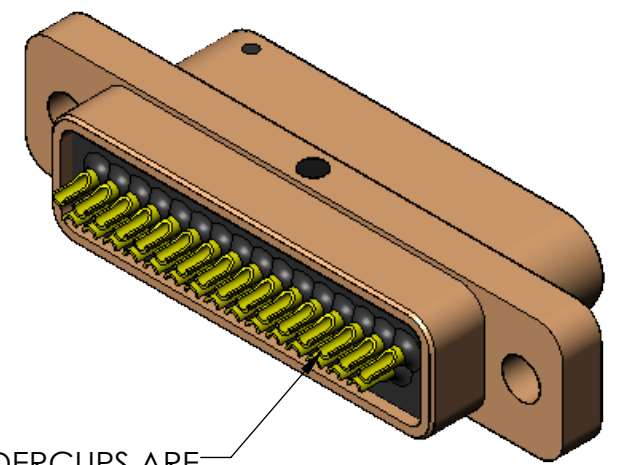
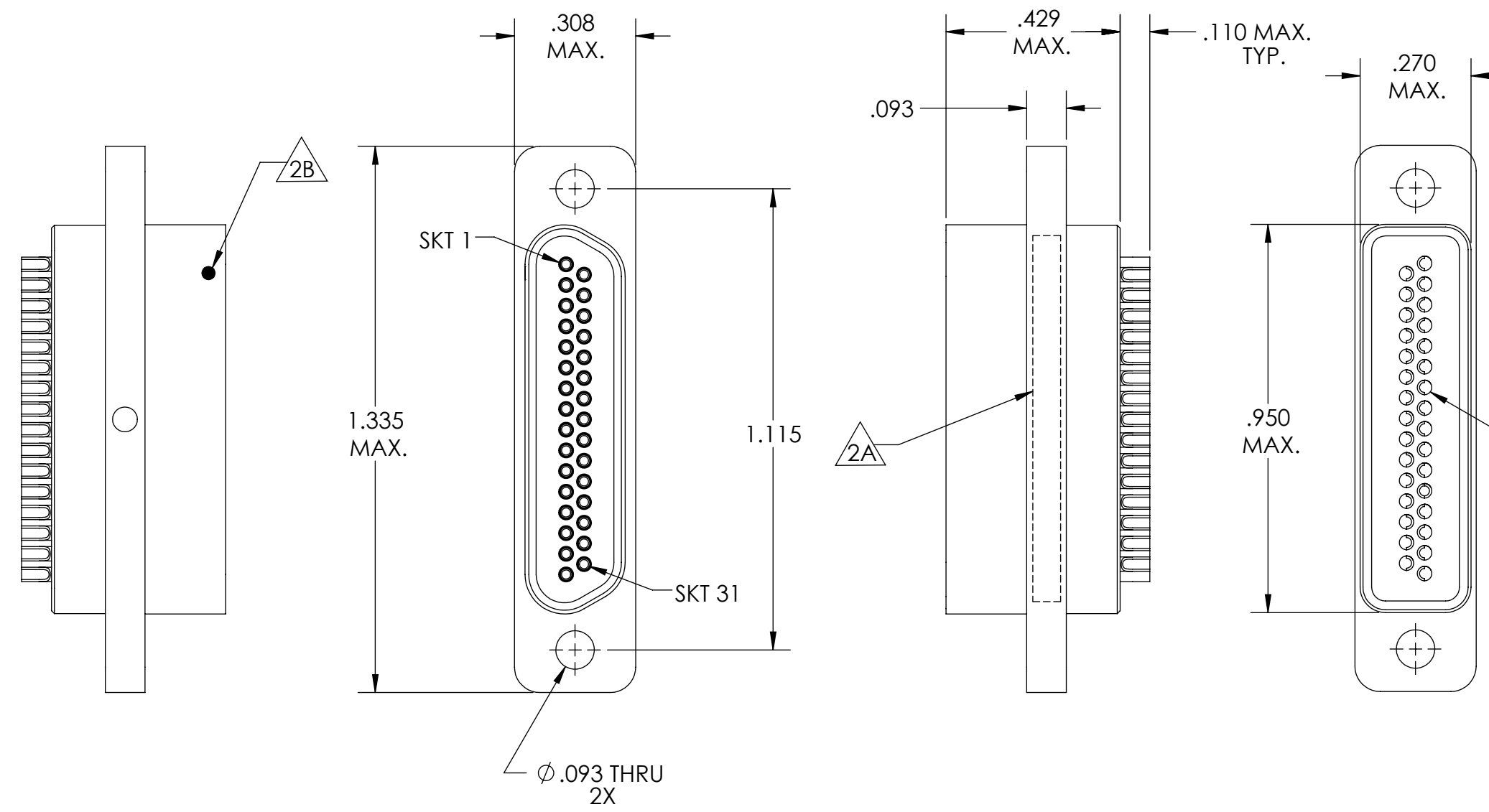
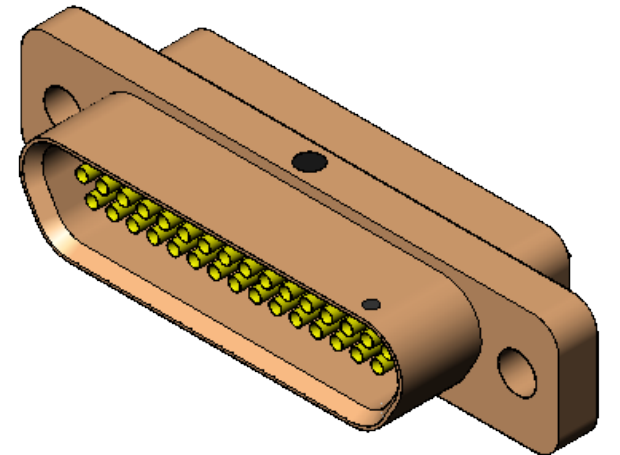


PART REV	DWG ISSUE	DATE	ECN NO.	APPVD BY	REL BY
-	-	6/4/13	UMI4986	DW	DW
A	A	12/19/17	UMI6589	DW	DW

F
E
D
C
B
A



SOLDERCUPS ARE ORIENTATED AS SHOWN



4. PERFORMANCE SPECIFICATIONS:
 CURRENT RATING: 3 AMPS MAX.
 INSULATION RESISTANCE: 5000 MEGOHMS MIN.
 DWV: 600 VAC
 TEMPERATURE RATING: 125°C

3 MATERIALS:
 SHELL: 6061-T6 ALUMINUM PER AMS-QQ-A200/8, CADMIUM PLATED PER AMS-QQ-P-416
 INSULATOR: PPS PER MIL-M-24519 GST-40F, COLOR: BLACK
 SOCKET SOLDERCUP CONTACTS: C21000 COPPER ALLOY PER ASTM B36, GOLD PLATED PER ASTM B488
 INTERFACIAL SEAL: FLUOROSILICONE PER MIL-R- 25988

2. MARKING:
 2A "UMI", DATE CODE, M83513/02-EC, UMI WORK ORDER NUMBER
 2B A DOT INDICATING POSITION 1

1. CONNECTOR ASSEMBLY IS IAW MIL-DTL-83513 UNLESS OTHERWISE SPECIFIED.

NOTES: UNLESS OTHERWISE SPECIFIED.

QUALITY SYMBOLS CRITICAL MAJOR NO SYMBOLS = MINOR DIMENSIONS	UNLESS OTHERWISE SPECIFIED: ALL DIMENSIONS ARE IN INCHES	SCALE 3:1	DWG SIZE B	THIRD ANGLE PROJECTION	REVISE ON CAD ONLY		
	GENERAL TOLERANCES: 3 PLACES ±.005 2 PLACES ±.01 ANGULAR ±2°	DRAWN BY & DATE DU 12/19/17	TITLE: MICRO-D CONNECTOR ASSEMBLY, MIL-DTL-83513/02-EC		MATERIAL: 3	ENG PROJECT #: E351	
	ULTI-MATE CAGE CODE 58967	CHECKED BY & DATE DW 12/19/17	APPROVED BY & DATE DW 12/19/17	PART NO. 835250000	DRAWING NO. SD-835250000	SHEET NO. 1 of 1	PART REV. A
	THIS DRAWING CONTAINS INFORMATION THAT IS PROPRIETARY TO ULTI-MATE INCORPORATED AND SHOULD NOT BE USED WITHOUT WRITTEN PERMISSION.						