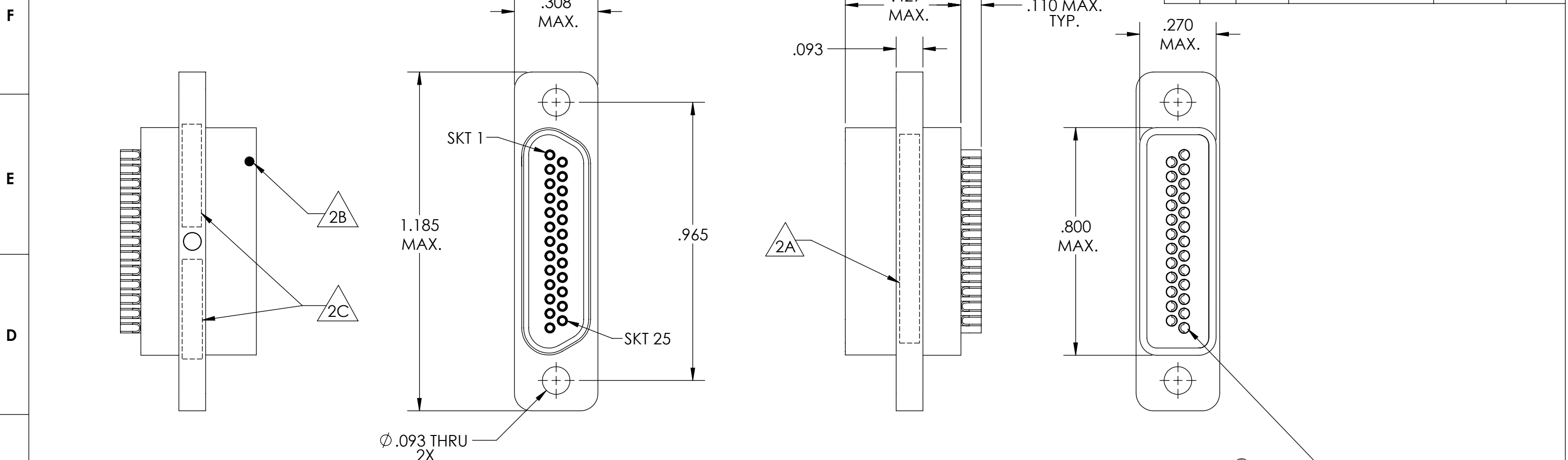
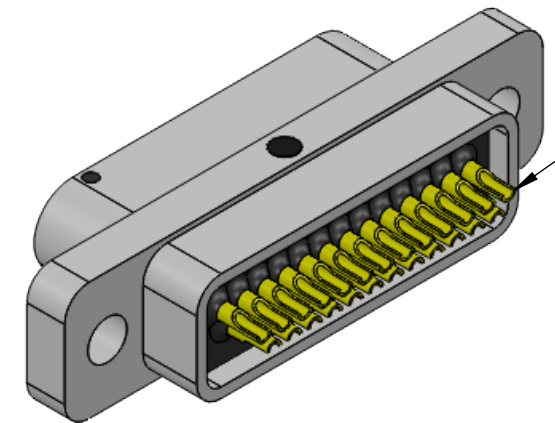
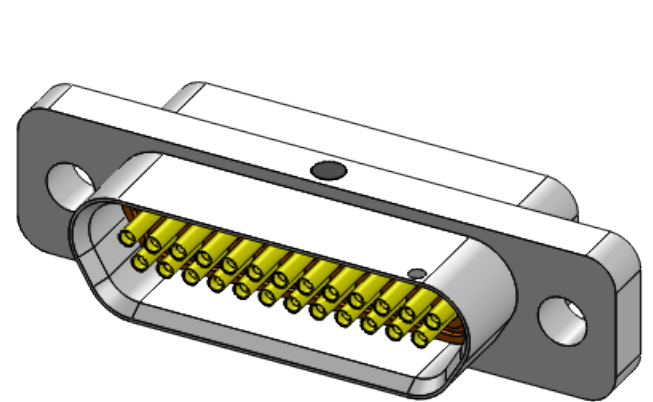


PART REV	DWG ISSUE	DATE	ECN NO.	APPVD BY	REL BY
-	-	5/10/20	UMI7476	DU	DW



Ø .093 THRU 2X



SOLDER CUPS ARE ORIENTATED AS SHOWN

- 5. CONTACT HEIGHTS ARE TO BE PER QA-STD-101.
- 4. PERFORMANCE SPECIFICATIONS:
CURRENT RATING: 3 AMP MAX.
DWV: 600 VAC
TEMPERATURE RATING: -55°C TO 125°C

3 MATERIALS:
SHELL: 6061-T6 ALUMINUM PER AMS-QQ-A200/8, NICKEL PLATED PER AMS-2404
INSULATOR: PPS PER MIL-M-24519 GST-40F, COLOR: BLACK
SOCKET SOLDERCUPS CONTACTS: CDA 314 BRASS, 1/2 HARD, GOLD PLATED PER ASTM B488
INTERFACIAL SEAL: FLUOROSILICONE PER MIL-R-25988

- 2. MARKING: M83513/02-DN
 A DOT INDICATING POSITION 1
 "UMI", DATE CODE, UMI WORK ORDER NUMBER

1. CONNECTOR ASSEMBLY IS IAW MIL-DTL-83513 UNLESS OTHERWISE SPECIFIED.

NOTES: UNLESS OTHERWISE SPECIFIED.

QUALITY SYMBOLS CRITICAL MAJOR NO SYMBOLS = MINOR DIMENSIONS	UNLESS OTHERWISE SPECIFIED: ALL DIMENSIONS ARE IN INCHES	SCALE 3 : 1	DWG SIZE B	THIRD ANGLE PROJECTION	REVISE ON CAD ONLY	
	GENERAL TOLERANCES: 3 PLACES ±.005 2 PLACES ±.01 ANGULAR ±2°	DRAWN BY & DATE DU 5/10/20		TITLE: MIL SPEC MICRO-D CONNECTOR, MIL-DTL-83513/02-DN, (MR25T0-S01)		
		CHECKED BY & DATE DW 5/10/20		MATERIAL: 		ENG PROJECT #: NONE
		APPROVED BY & DATE DW 5/10/20		PART NO. 835241000		DRAWING NO. SD-835241000
	ULTI-MATE CAGE CODE 58967	CAD FILE NAME SD-835241000.slddrw		THIS DRAWING CONTAINS INFORMATION THAT IS PROPRIETARY TO ULTI-MATE INCORPORATED AND SHOULD NOT BE USED WITHOUT WRITTEN PERMISSION.		

