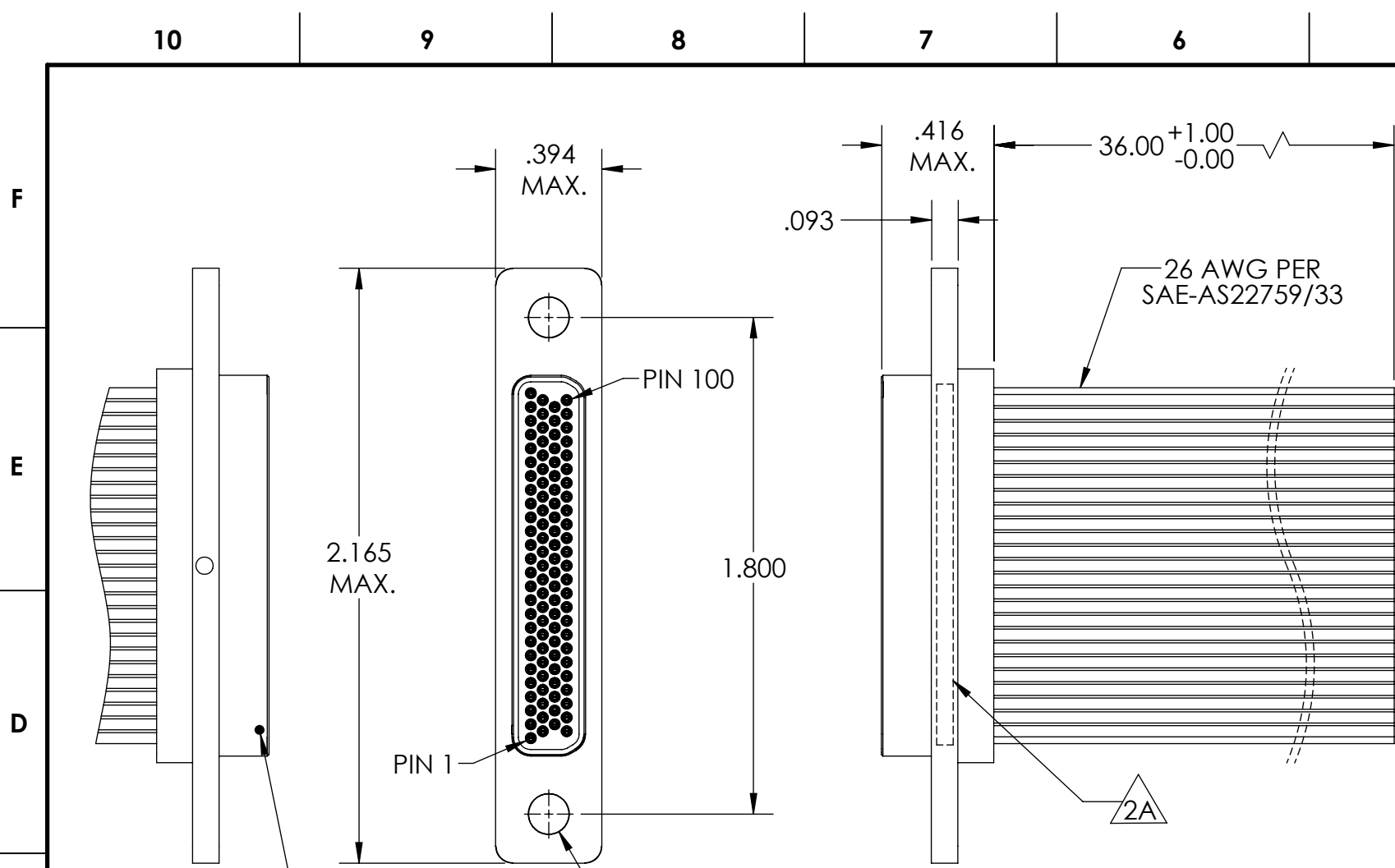
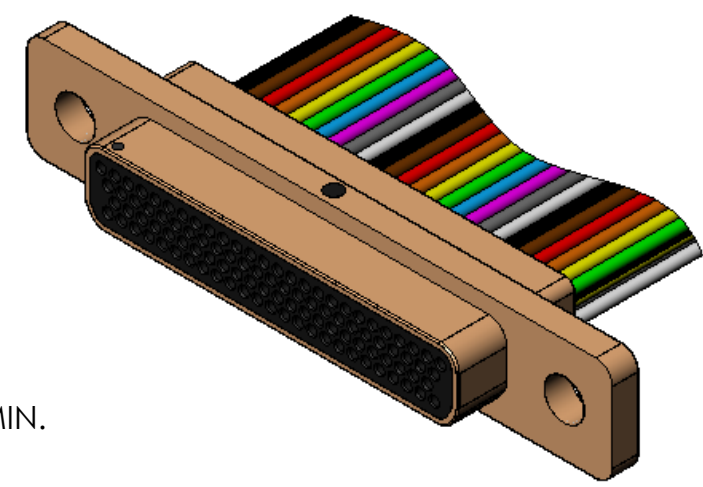


PART REV	DWG ISSUE	DATE	ECN NO.	APPVD BY	REL BY
-	-	4/24/17	UMI6322	DW	DW



1	BLK	26	GRN	51	BLK	76	GRN
2	BRN	27	BLU	52	BRN	77	BLU
3	RED	28	VIO	53	RED	78	VIO
4	ORG	29	GRY	54	ORG	79	GRY
5	YEL	30	WHT	55	YEL	80	WHT
6	GRN	31	BLK	56	GRN	81	BLK
7	BLU	32	BRN	57	BLU	82	BRN
8	VIO	33	RED	58	VIO	83	RED
9	GRY	34	ORG	59	GRY	84	ORG
10	WHT	35	YEL	60	WHT	95	YEL
11	BLK	36	GRN	61	BLK	86	GRN
12	BRN	37	BLU	62	BRN	87	BLU
13	RED	38	VIO	63	RED	88	VIO
14	ORG	39	GRY	64	ORG	89	GRY
15	YEL	40	WHT	65	YEL	90	WHT
16	GRN	41	BLK	66	GRN	91	BLK
17	BLU	42	BRN	67	BLU	92	BRN
18	VIO	43	RED	68	VIO	93	RED
19	GRY	44	ORG	69	GRY	94	ORG
20	WHT	45	YEL	70	WHT	95	YEL
21	BLK	46	GRN	71	BLK	96	GRN
22	BRN	47	BLU	72	BRN	97	BLU
23	RED	48	VIO	73	RED	98	VIO
24	ORG	49	GRY	74	ORG	99	GRY
25	YEL	50	WHT	75	YEL	100	WHT



4. PERFORMANCE SPECIFICATIONS:
 CURRENT RATING: 3 AMPS MAX.
 INSULATION RESISTANCE: 5000 MEGOHMS MIN.
 DWV: 600 VAC
 TEMPERATURE RATING: 125° C

3 MATERIALS:
 SHELL: 6061-T6 ALUMINUM PER AMS-QQ-A200/8, CADMIUM PLATED PER AMS-QQ-P-416
 INSULATOR: PPS PER MIL-M-24519 GST-40F, COLOR: BLACK
 PIN CONTACT: C17200 BERYLLIUM COPPER PER ASTM B194, GOLD PLATED PER ASTM B488
 WIRE: 26 AWG PER SAE-AS22759/33-26, REPEATING 10 COLOR CODE PER MIL-STD-681

2. MARKING: $\triangle 2A$ "UMI", M83513/03-H12C, DATE CODE, UMI WORK ORDER NUMBER
 $\triangle 2B$ A DOT INDICATING POSITION 1.

1. CONNECTOR ASSEMBLY IS IAW MIL-DTL-83513 UNLESS OTHERWISE SPECIFIED.

NOTES: UNLESS OTHERWISE SPECIFIED.

QUALITY SYMBOLS CRITICAL $\triangle C$ MAJOR \blacktriangledown NO SYMBOLS = MINOR DIMENSIONS	UNLESS OTHERWISE SPECIFIED: ALL DIMENSIONS ARE IN INCHES	SCALE NONE	DWG SIZE B	THIRD ANGLE PROJECTION		REVISE ON CAD ONLY		
	GENERAL TOLERANCES: 3 PLACES $\pm .005$ 2 PLACES $\pm .01$ ANGULAR $\pm 2^\circ$	DRAWN BY & DATE DU 4/24/17		TITLE: MICRO-D CONNECTOR ASSEMBLY, M83513/03-H12C (MR100P0-26Y6-36.0)				
		CHECKED BY & DATE DW 4/24/17		MATERIAL: $\triangle 3$		ENG PROJECT #: NONE		
		APPROVED BY & DATE DW 4/24/17		PART NO. 835180120		DRAWING NO. SD-835180120		
	ULTI-MATE CAGE CODE 58967		CAD FILE NAME SD-835180120.SLDDRW		SHEET NO. 1 of 1		PART REV. -	

THIS DRAWING CONTAINS INFORMATION THAT IS PROPRIETARY TO ULTI-MATE INCORPORATED AND SHOULD NOT BE USED WITHOUT WRITTEN PERMISSION.