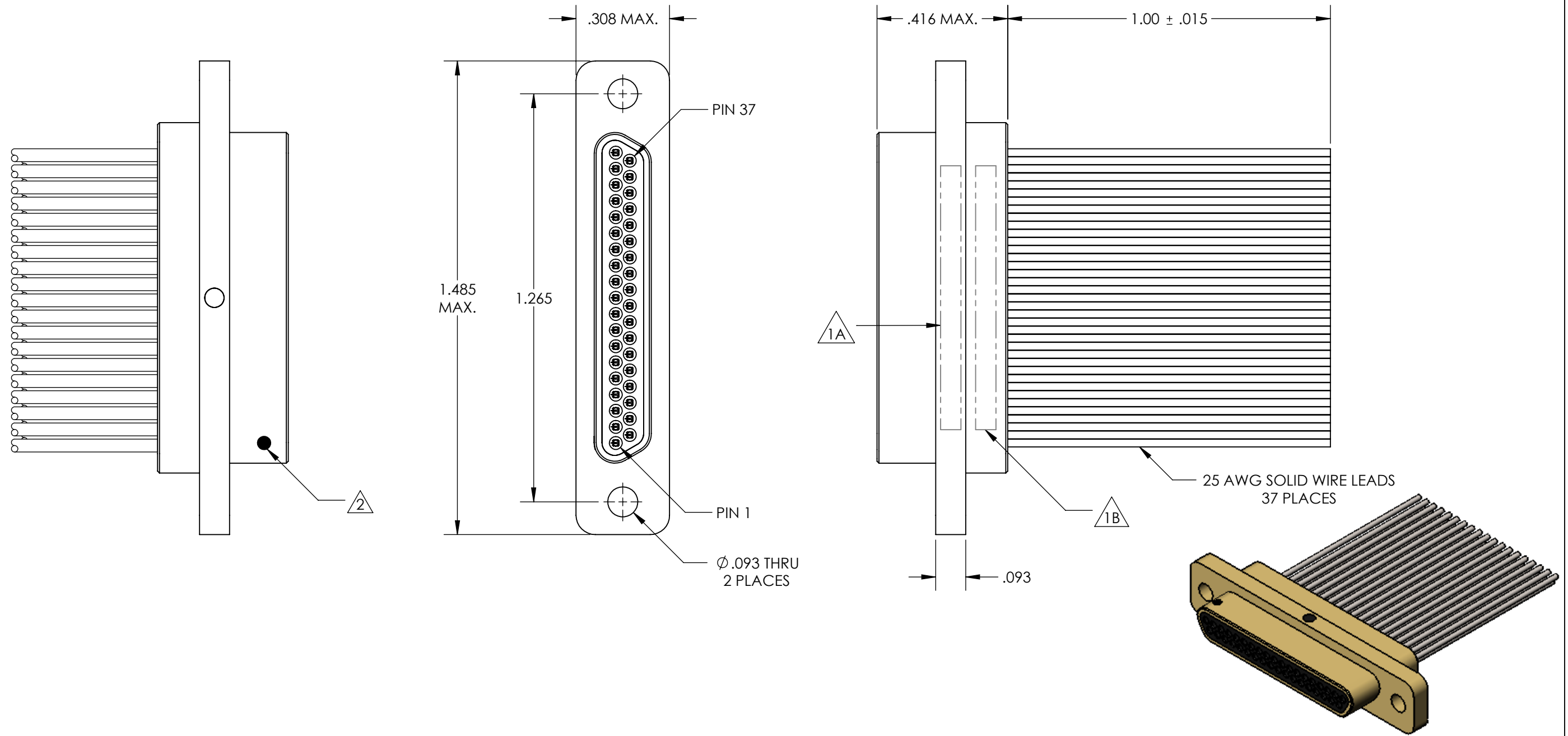


REVISIONS

PART REV.	DWG. ISSUE	DATE	ECN NO.	APPVD. BY	REL. BY
-	-	04/17/2015	UMI5584	DW	DW
A	A	06/14/2016	UMI5996	DW	DW



4. PERFORMANCE SPECIFICATIONS: MEETS OR EXCEEDS REQUIREMENTS OF MIL-DTL-83513

3 MATERIALS:
 SHELL: 6061-T6 ALUMINUM PER AMS-QQ-A200/8, CADMIUM PLATED PER AMS-QQ-P-416
 INSULATOR: PPS PER MIL-M-24519 GST-40F, COLOR: BLK
 PIN CONTACTS: C17200 BERYLLIUM COPPER PER ASTM B194, GOLD PLATED PER ASTM B488
 25 AWG LEADS: 60/40 TIN/LEAD PLATED COPPER ALLOY

2 MARK POSITION 1 WITH A DOT AT LOCATION SHOWN

1. MARKINGS: 1A 'M83513/03-F08C', 'UMI', AND DATE CODE
 1B WORK ORDER NO.

NOTES: UNLESS OTHERWISE SPECIFIED

QUALITY SYMBOLS CRITICAL MAJOR NO SYMBOL = MINOR DIMENSION	UNLESS SPECIFIED: ALL DIMENSIONS IN INCHES GENERAL TOLERANCES: 3 PLACE ±.005 2 PLACE ±.01 ANGULAR ±2° ALL EXTERNAL SPECIFICATIONS REFERENCED ON THIS DRAWING SHALL BE THE LATEST REVISION IN EFFECT Ulti-Mate CAGE CODE 58967	SCALE 3:1	DWG SIZE B	THIRD ANGLE PROJECTION	REVISE ON CAD ONLY
	DRAWN BY & DATE JB 04/17/2015	TITLE MIL-SPEC MICRO-D CONNECTOR, PLUG (PINS), 37 POSITION, W/1" 25AWG LEADS M83513/03-F08C		MATERIAL 3	ENG PROJECT # N/A
	CHECKED BY & DATE DW 04/17/2015	APPROVED BY & DATE DW 04/17/2015		PART NO. 835160080	DRAWING NO. SD-835160080
	CAD FILENAME SD-835160080.slddrw	THIS DRAWING CONTAINS INFORMATION THAT IS PROPRIETARY TO ULTI-MATE INCORPORATED AND SHOULD NOT BE USED WITHOUT WRITTEN PERMISSION.		SHEET NO. 1 OF 1	PART REV. A
	Ulti-Mate Connector Inc.				