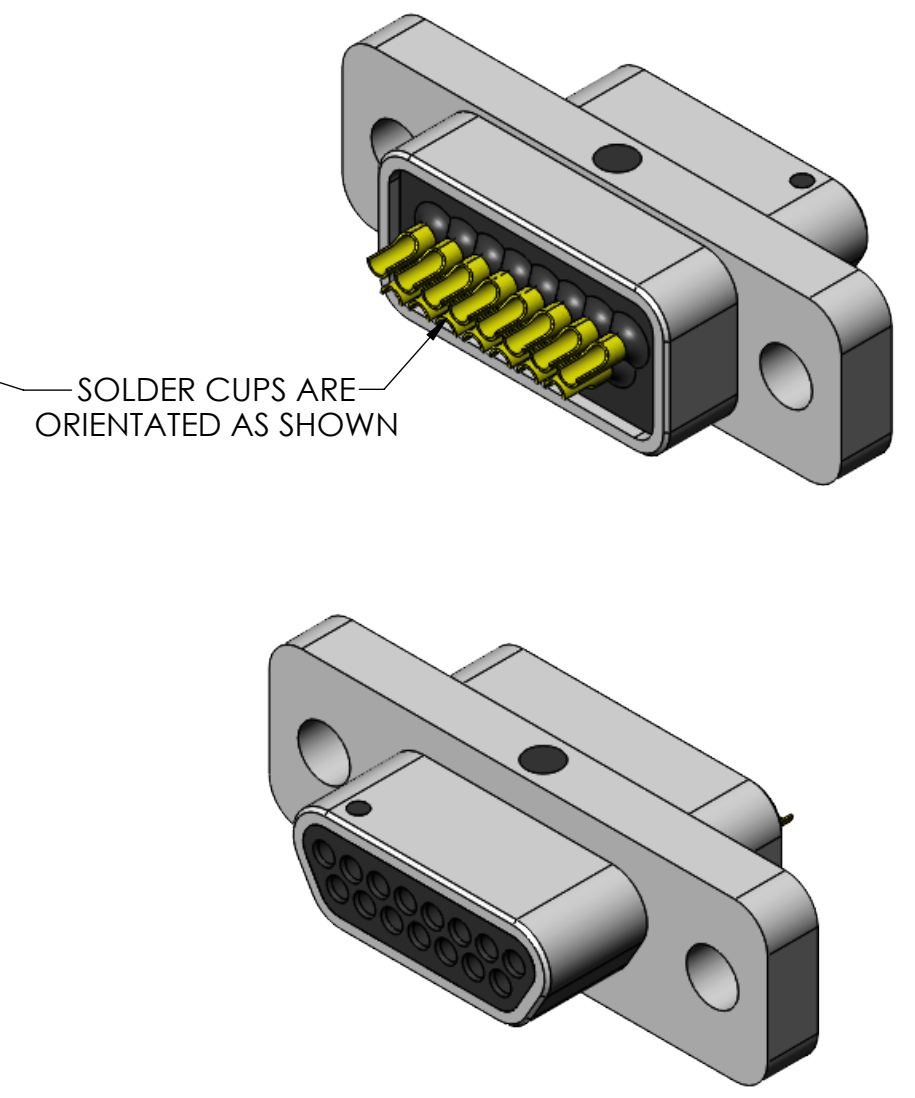
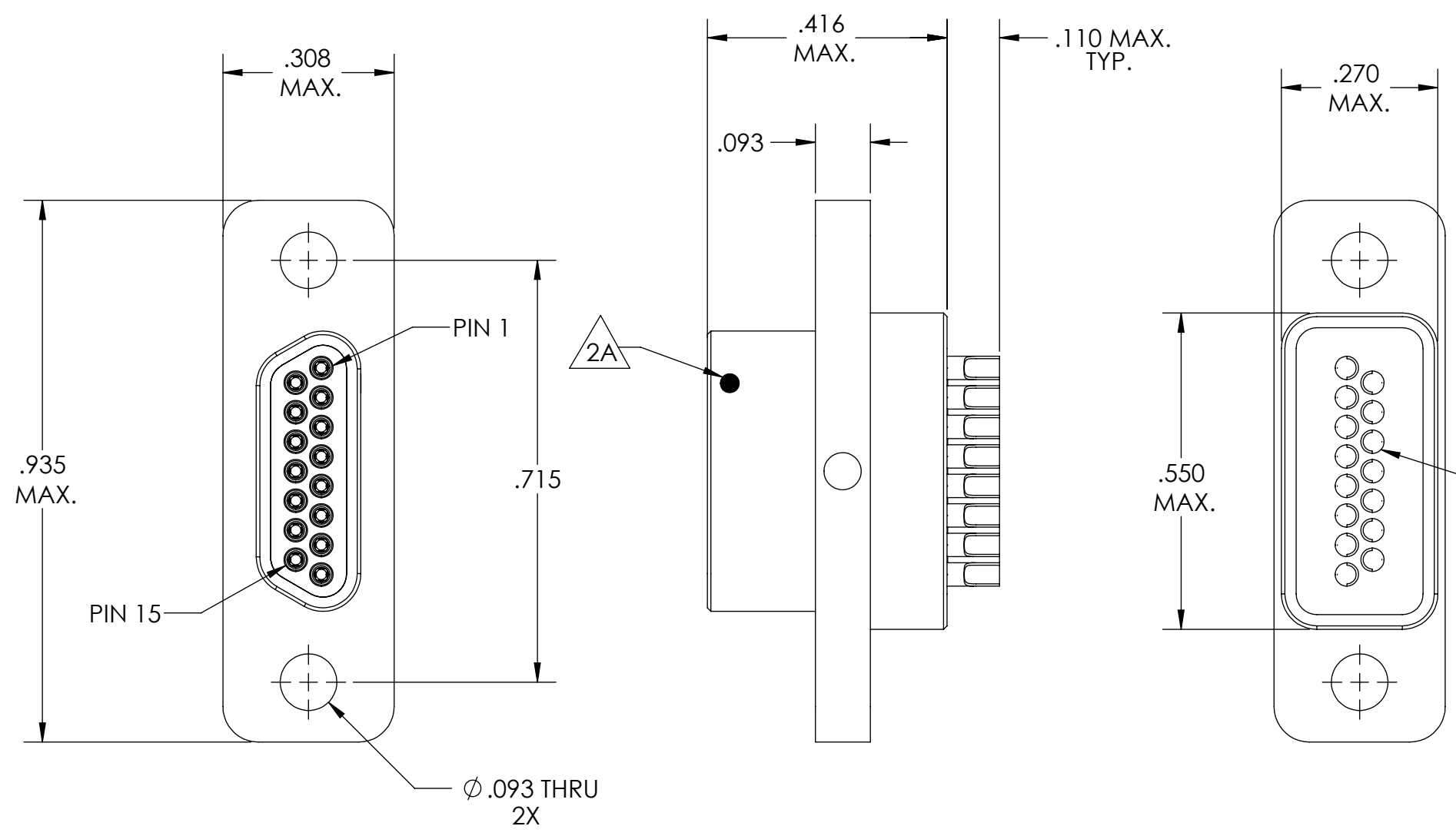


REVISIONS					
PART REV.	DWG. ISSUE	DATE	ECN NO.	APPVD. BY	REL. BY
-	-	4/19/2021	UMI7732	DU	DW

F  
E  
D  
C  
B  
A



- 5. CONTACT HEIGHTS ARE TO BE PER QA-STD-101.
  - 4. PERFORMANCE SPECIFICATIONS:  
CURRENT RATING: 3 AMP MAX.  
DWV: 600 VAC  
TEMPERATURE RATING: -55°C TO 125°C
  - 3. MATERIALS:  
SHELL: 6061-T6 ALUMINUM PER AMS-QQ-A200/8, NICKEL PLATED PER AMS-2404  
INSULATOR: PPS PER MIL-M-24519 GST-40F, COLOR: BLACK  
PIN SOLDERCUP CONTACTS: C17200 BERYLLIUM COPPER PER ASTM B194, GOLD PLATED PER ASTM B488
  - 2. MARKING: "UMI", DATE CODE, M83513/01-BN, UMI WORK ORDER NUMBER
  - 1. CONNECTOR ASSEMBLY IS IAW MIL-DTL-83513.
- NOTES: UNLESS OTHERWISE SPECIFIED.**

2A A DOT INDICATING POSITION 1

QUALITY SYMBOLS CRITICAL C MAJOR NO SYMBOLS = MINOR DIMENSIONS	UNLESS OTHERWISE SPECIFIED; ALL DIMENSIONS ARE IN INCHES	SCALE 4 : 1	DWG SIZE B	THIRD ANGLE PROJECTION	REVISE ON CAD ONLY	
	GENERAL TOLERANCES:  3 PLACES ±.005 2 PLACES ±.01 ANGULAR ±2°	DRAWN BY & DATE DU 4/19/21	TITLE: MIL SPEC MICRO-D CONNECTOR, MIL-DTL-83513/01-BN, (MR15N0-S01, SOLDER CUPS)			
		CHECKED BY & DATE DW 4/19/21	MATERIAL: 3	ENG PROJECT #:	NONE	
		APPROVED BY & DATE DW 4/19/21	PART NO. 835121000	DRAWING NO. SD-835121000	SHEET NO. 1 of 1	
	ULTI-MATE CAGE CODE 58967	CAD FILE NAME SD-835121000.sliddrw	THIS DRAWING CONTAINS INFORMATION THAT IS PROPRIETARY TO ULTI-MATE INCORPORATED AND SHOULD NOT BE USED WITHOUT WRITTEN PERMISSION.			

