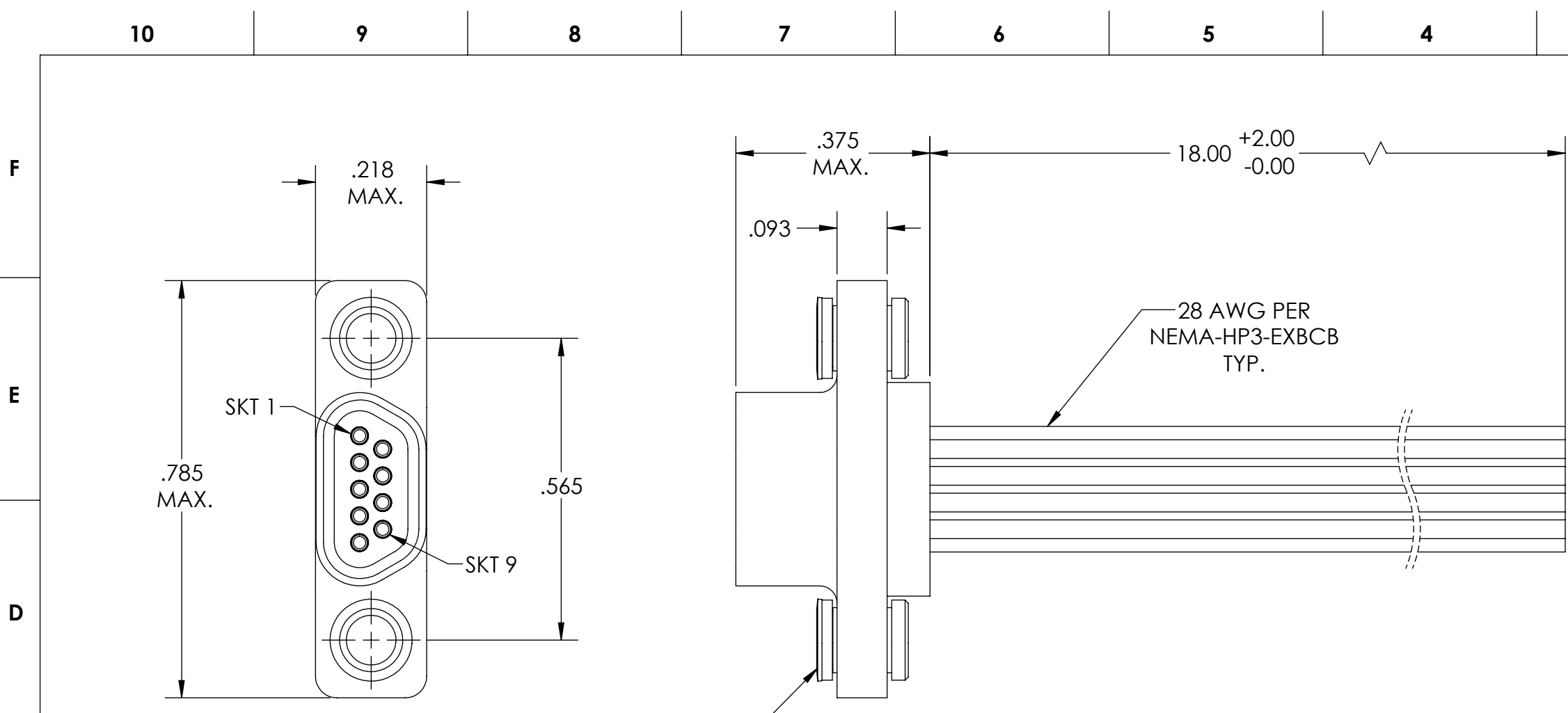
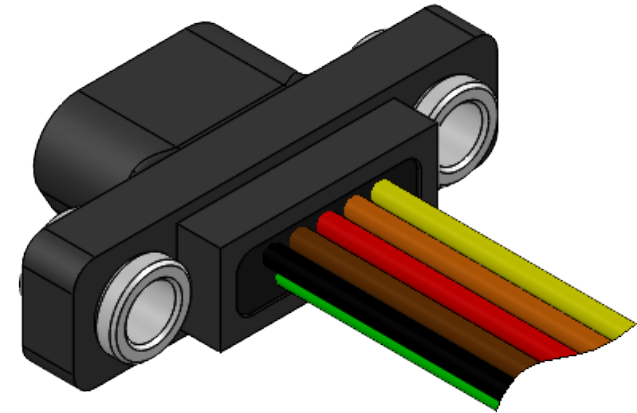
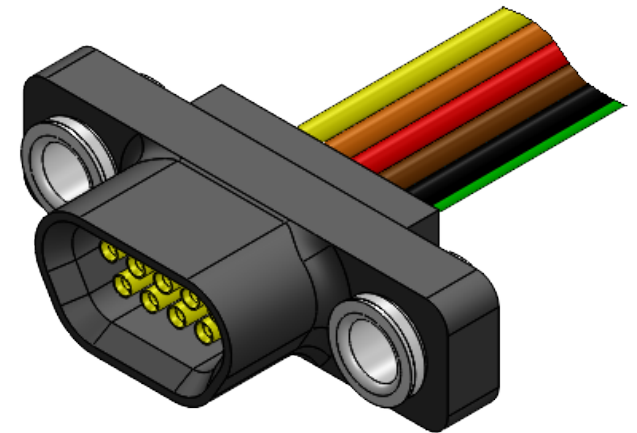


PART REV	DWG ISSUE	DATE	ECN NO.	APPVD BY	REL BY
-	-	11/4/20	UMI7594	DU	DW



1	BLK
2	BRN
3	RED
4	ORG
5	YEL
6	GRN
7	BLU
8	VIO
9	GRY

2-56 FLOAT MOUNT
 ALLOWABLE DIAMETRAL FLOAT .014 ±.004
 ALLOWABLE AXIAL FLOAT .020 MAX.
 2X



- 5. CONTACT HEIGHTS ARE TO BE PER QA-STD-101.
- 4. PERFORMANCE SPECIFICATIONS:
 CURRENT RATING: 3 AMPS MAX.
 DWV: 600 VAC
 TEMPERATURE RATING: -55°C TO 125° C

3 MATERIALS:
 SHELL: PPS PER MIL-M-24519 GST-40F, COLOR: BLACK
 SOCKET CONTACTS: C21000 COPPER ALLOY PER ASTM B36, GOLD PLATED PER ASTM B488
 WIRES: 28 AWG PER NEMA-HP3-EXBCB, COLOR CODE PER MIL-STD-681
 HARDWARE: PASSIVATED STAINLESS STEEL, 300 SERIES

- 2. MARKING: "UMI", DATE CODE, UMI PART NUMBER, UMI WORK ORDER NUMBER
- 1. CONNECTOR ASSEMBLY IS IAW M83513.

NOTES: UNLESS OTHERWISE SPECIFIED.

QUALITY SYMBOLS CRITICAL MAJOR NO SYMBOLS = MINOR DIMENSIONS	UNLESS OTHERWISE SPECIFIED: ALL DIMENSIONS ARE IN INCHES	SCALE 4 : 1	DWG SIZE B	THIRD ANGLE PROJECTION	REVISE ON CAD ONLY	
	GENERAL TOLERANCES: 3 PLACES ±.005 2 PLACES ±.01 ANGULAR ±2°	DRAWN BY & DATE DU 11/4/20	TITLE: MICRO-D CONNECTOR ASSEMBLY, "PR" SERIES, PR09S0-28E5-18.0-F01, FLOAT MOUNTS			
		CHECKED BY & DATE DW 11/4/20	MATERIAL: 3	ENG PROJECT #: NONE		
		APPROVED BY & DATE DW 11/4/20	PART NO. 834618231	DRAWING NO. SD-834618231		
	ULTI-MATE CAGE CODE 58967	CAD FILE NAME SD-834618231.slddrw	THIS DRAWING CONTAINS INFORMATION THAT IS PROPRIETARY TO ULTI-MATE INCORPORATED AND SHOULD NOT BE USED WITHOUT WRITTEN PERMISSION.			