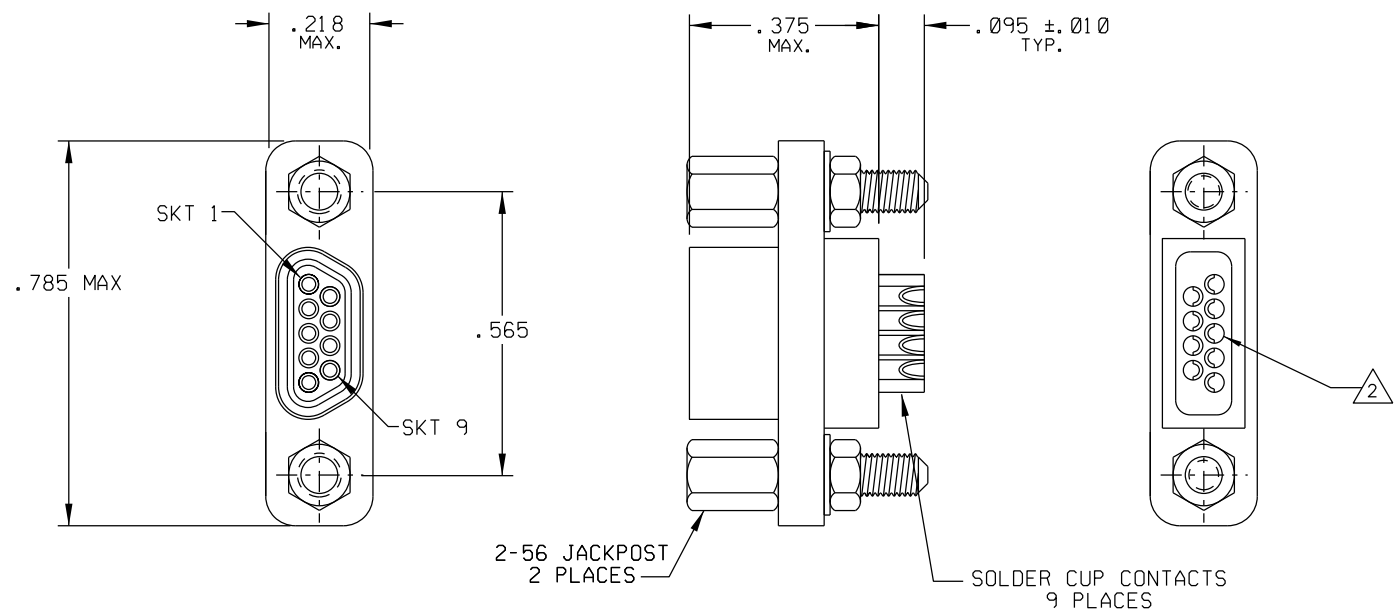


PART REV	DWG ISSUE	DATE	ECN NO.	APPVD BY	REL BY
-	-	2-1-12	UMI 4560	TP	DW



△ 2 SOLDER CUPS ARE ORIENTED AS SHOWN.

△ 1 MATERIALS:
 BODY/INSULATOR: PPS PER MIL-M-24519 GST-40F, COLOR: BLACK
 SOLDER CUP SOCKET CONTACTS: C31400 COPPER ALLOY PER ASTM B140,
 1/2 HARD, GOLD PLATED PER ASTM B488

NOTES: UNLESS OTHERWISE SPECIFIED

QUALITY SYMBOLS CRITICAL SPECIAL KEY	UNLESS SPECIFIED: ALL DIMENSIONS IN INCHES GENERAL TOLERANCES: 3 PLACE $\pm .002$ 2 PLACE $\pm .005$ ANGULAR $\pm 2^\circ$	SCALE 4:1	DWG SIZE B	THIRD ANGLE PROJECTION	REVISE ON CAD ONLY	
	ALL EXTERNAL SPECIFICATIONS REFERENCED ON THIS DRAWING SHALL BE TO THE LATEST REVISION IN EFFECT Ulti-Mate CAGE CODE 58967	DRAWN BY & DATE DW 2-1-12 CHECKED BY & DATE SEE ECN APPROVED BY & DATE SEE ECN	TITLE: MICRO-D RECEPTACLE, SIZE 9, LOW PROFILE PLASTIC SHELL, SOLDER CUP CONTACTS, PR09T07		MATERIAL: △ 1	Ulti-Mate Connector Inc.
		CAD FILENAME SD-83461 8007.DGN	PART NO. 83461 8007	DRAWING NO. SD-83461 8007	SHEET NO. 1 OF 1	PART REV -
		THIS DRAWING CONTAINS INFORMATION THAT IS PROPRIETARY TO ULTI-MATE INCORPORATED AND SHOULD NOT BE USED WITHOUT WRITTEN PERMISSION.				