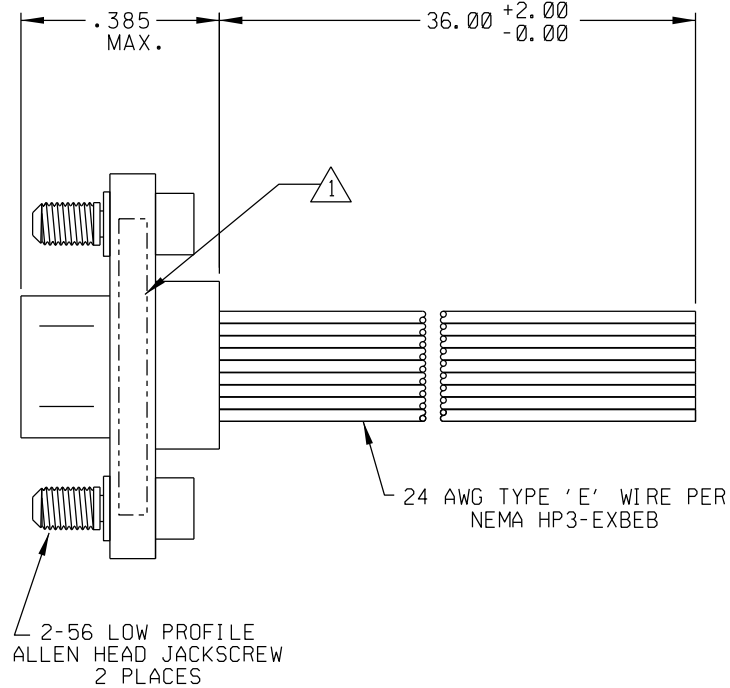
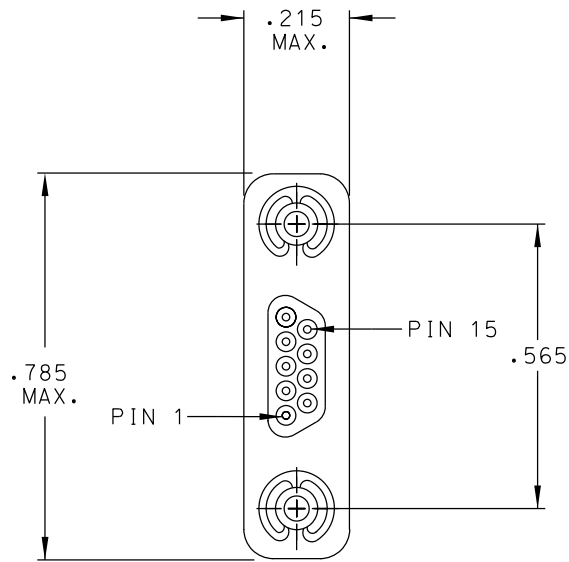


| PART REV | DWG ISSUE | DATE | ECN NO. | APPVD BY | REL BY |
|----------|-----------|--------|----------|----------|--------|
| - | - | 3-8-16 | UMI 5907 | DW | DW |



| | |
|---|-----|
| 1 | BLK |
| 2 | BRN |
| 3 | RED |
| 4 | ORG |
| 5 | YEL |
| 6 | GRN |
| 7 | BLU |
| 8 | VIO |
| 9 | GRY |

3. PERFORMANCE SPECIFICATIONS:
 CURRENT RATING: 3A MAX
 INSULATION RESISTANCE: 5000 MEGOHMS MIN
 DWV: 600 VAC
 TEMPERATURE RATING: 125° C

2 MATERIALS:
 SHELL: 6061-T6 ALUMINUM PER AMS-00-A200/8,
 NICKEL PLATED PER AMS 2404.
 INSULATOR: PPS PER MIL-M-24519 GST-40F, COLOR: BLACK.
 PIN CONTACT: C17200 BERYLLIUM COPPER PER ASTM B194, GOLD
 PLATED PER ASTM B488.
 HARDWARE: PASSIVATED STAINLESS STEEL IAW MIL-DTL-83513/5.

1 MARKING: UMI, DATE CODE, UMI P/N, AND WORK ORDER NUMBER.

NOTES: UNLESS OTHERWISE SPECIFIED.

| | | | | | |
|--|---|--|--|-----------------------------|--|
| QUALITY SYMBOLS CRITICAL MAJOR NO SYMBOL = MINOR DIMENSION | UNLESS SPECIFIED: ALL DIMENSIONS IN INCHES | SCALE 4:1 | DWG SIZE B | THIRD ANGLE PROJECTION | REVISE ON CAD ONLY |
| | GENERAL TOLERANCES: 3 PLACE ±.005 2 PLACE ±.01 ANGULAR ±2° | DRAWN BY & DATE DW 3-8-16 | TITLE: MICRO-D LOW-PROFILE PLUG, SIZE 9, 24 AWG LEADS, APR09P02-24E5-36.0-S01 | | MATERIAL: 2 Ulti-Mate Connector Inc. |
| ALL EXTERNAL SPECIFICATIONS REFERENCED ON THIS DRAWING SHALL BE TO THE LATEST REVISION IN EFFECT | APPROVED BY & DATE SEE ECN | CAD FILENAME SD-834311492.DGN | PART NO. 834311492 | DRAWING NO. SD-834311492 | |
| | Ulti-Mate CAGE CODE 58967 | THIS DRAWING CONTAINS INFORMATION THAT IS PROPRIETARY TO ULTI-MATE INCORPORATED AND SHOULD NOT BE USED WITHOUT WRITTEN PERMISSION. | | | PART REV - |