

PART REV	DWG ISSUE	DATE	ECN NO.	APPVD BY	REL BY
-	-	1/19/22	UMI7937	DW	DW

F

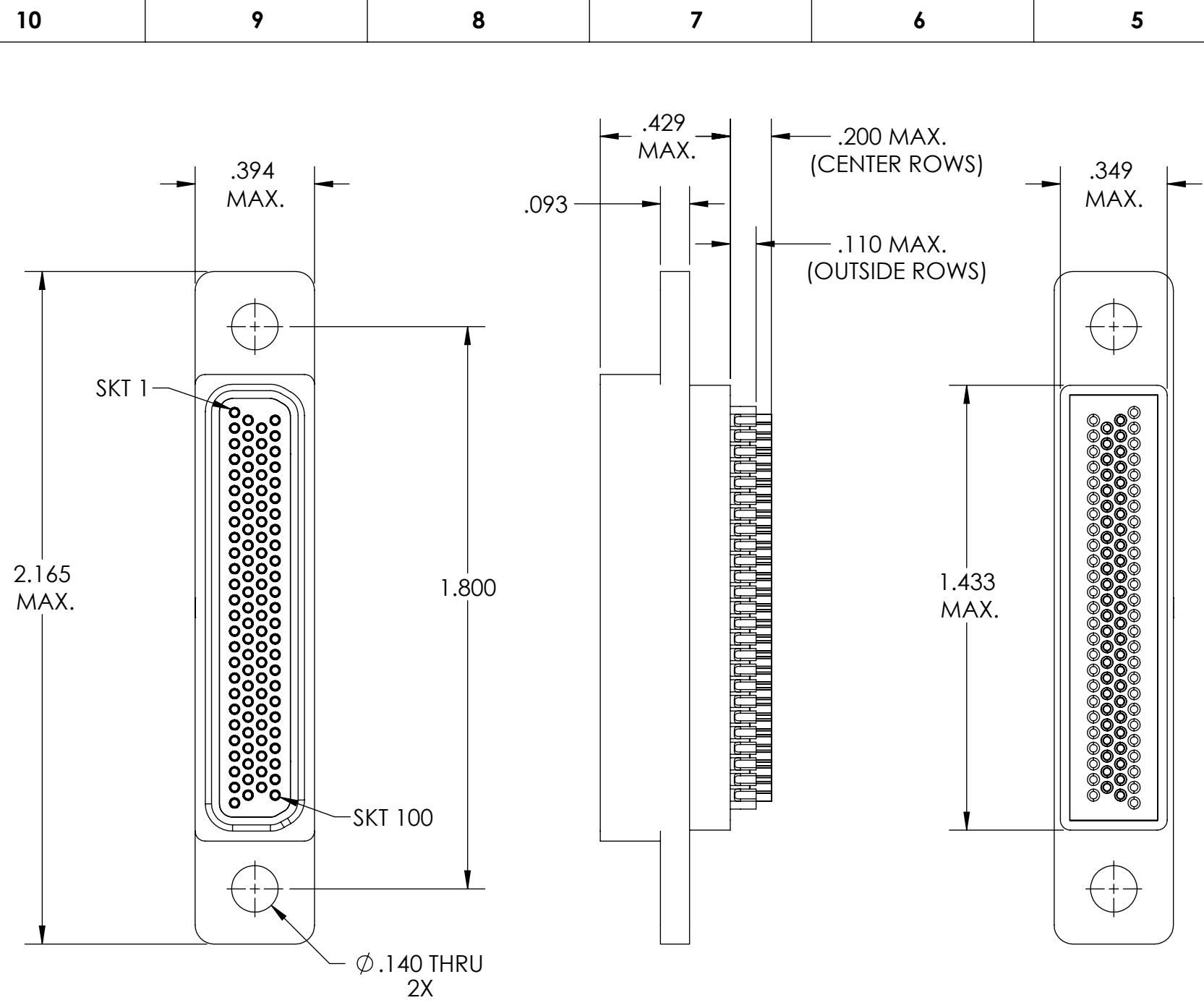
E

D

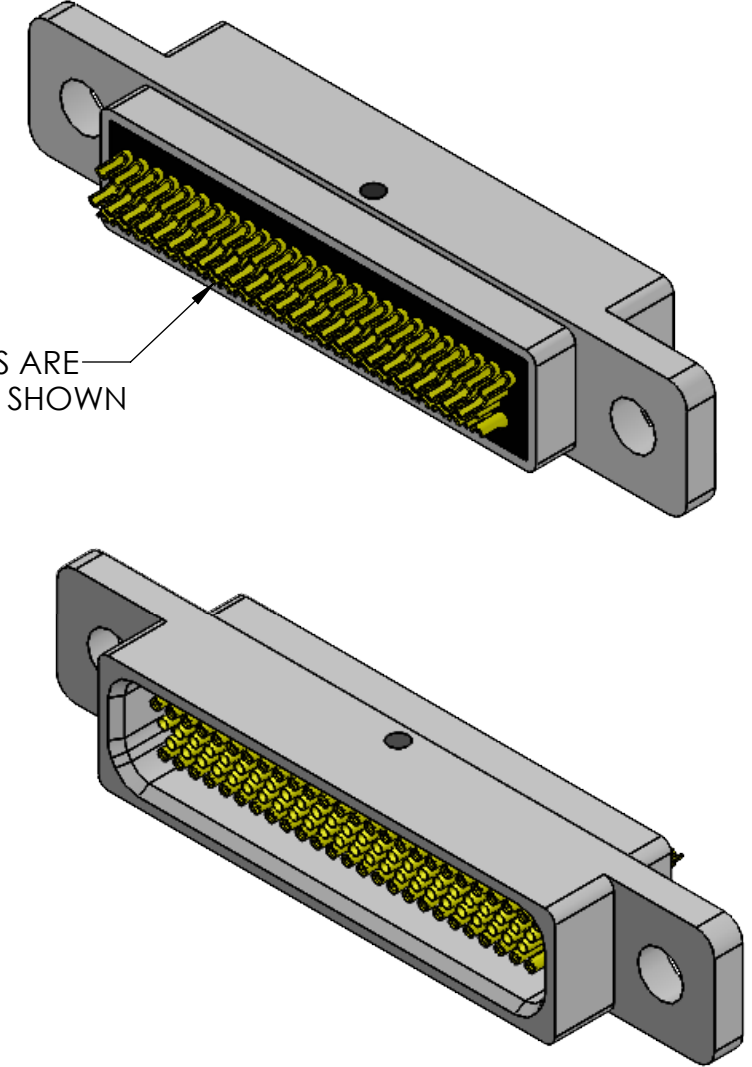
C

B

A



SOLDER CUPS ARE ORIENTATED AS SHOWN



- 5. CONTACT HEIGHTS ARE TO BE PER QA-STD-101.
- 4. PERFORMANCE SPECIFICATIONS:  
CURRENT RATING: 3 AMP MAX.  
DWV: 600 VAC  
TEMPERATURE RATING: -55°C TO 125°C

3 MATERIALS:  
SHELL: 6061-T6 ALUMINUM PER AMS-QQ-A200/8, NICKEL PLATED PER AMS-2404  
SOCKET SOLDER CUP CONTACTS: CDA 314 BRASS, GOLD PLATED PER ASTM B488  
INTERFACIAL SEAL: FLUOROSILICON PER MIL-R-25988

- 2. MARKING: "UMI", DATE CODE, UMI PART NUMBER, UMI WORK ORDER NUMBER
- 1. CONNECTOR ASSEMBLY IS IAW MIL-DTL-83513 WHERE APPLICABLE.

**NOTES: UNLESS OTHERWISE SPECIFIED.**

QUALITY SYMBOLS  CRITICAL C  MAJOR ▼  NO SYMBOLS = MINOR DIMENSIONS	UNLESS OTHERWISE SPECIFIED: ALL DIMENSIONS ARE IN INCHES	SCALE NONE	DWG SIZE B	THIRD ANGLE PROJECTION	REVISE ON CAD ONLY		
	GENERAL TOLERANCES:  3 PLACES ±.005 2 PLACES ±.01 ANGULAR ±2°	DRAWN BY & DATE DU 1/19/22		TITLE: MICRO-D CONNECTOR, RECEPTACLE, MR100T0-S01, SOLDER CUPS			
		CHECKED BY & DATE DW 1/19/22		MATERIAL: 3	ENG PROJECT #: TR327		
		APPROVED BY & DATE DW 1/19/22		PART NO. 834281000	DRAWING NO. SD-834281000		
	ULTI-MATE CAGE CODE 58967	CAD FILE NAME SD-834281000.sliddrw	THIS DRAWING CONTAINS INFORMATION THAT IS PROPRIETARY TO ULTI-MATE INCORPORATED AND SHOULD NOT BE USED WITHOUT WRITTEN PERMISSION.			PART REV. -	