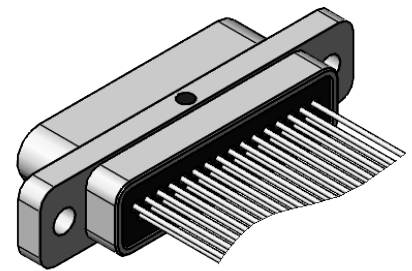
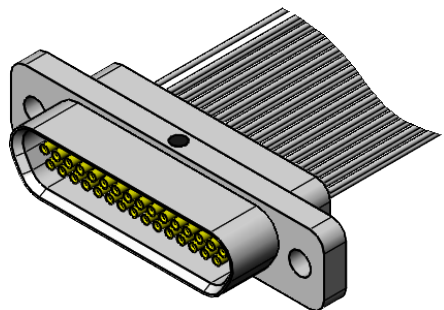
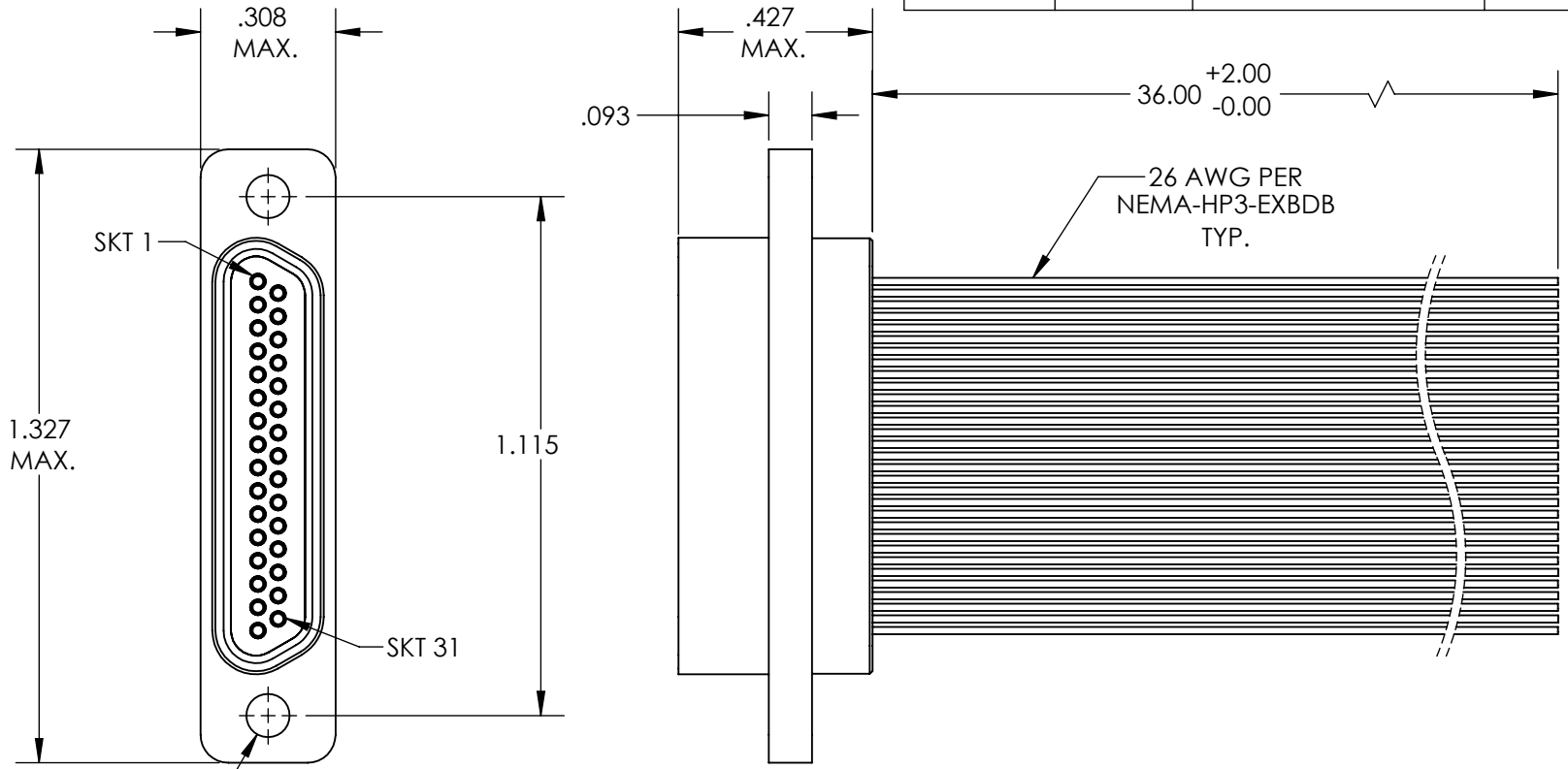


REVISIONS

DWG. ISSUE	PART REV.	ECN NO.	DATE
-	-	UMI8150	09/28/2022

COLOR CODE

1	BLK
2	BRN
3	RED
4	ORG
5	YEL
6	GRN
7	BLU
8	VIO
9	GRY
10	WHT
11	W/BLK
12	W/BRN
13	W/RED
14	W/ORG
15	W/YEL
16	W/GRN
17	W/BLU
18	W/VIO
19	W/GRY
20	W/BLK/BRN
21	W/BLK/RED
22	W/BLK/ORG
23	W/BLK/YEL
24	W/BLK/GRN
25	W/BLK/BLU
26	W/BLK/VIO
27	W/BLK/GRY
28	W/BRN/RED
29	W/BRN/ORG
30	W/BRN/YEL
31	W/BRN/GRN



- 5. CONNECTOR ASSEMBLY IS IAW MIL-DTL-83513 UNLESS OTHERWISE SPECIFIED.
- 4. CONTACT HEIGHTS ARE TO BE PER QA-STD-101.
- 3. PERFORMANCE SPECIFICATIONS:  
CURRENT RATING: 3A MAX.  
DWV: 600 VAC  
TEMPERATURE RATING: -55°C TO 125°C

2 MATERIALS:  
 SHELL: 6061-T6 ALUMINUM PER AMS-QQ-A200/8, NICKEL PLATED PER AMS 2404  
 INSULATOR: PPS PER MIL-M-24519 GST-40F, COLOR: BLK  
 SOCKET CONTACTS: C21000 BRASS ALLOY PER ASTM B36, GOLD PLATED PER ASTM B488  
 WIRES: 26 AWG PER NEMA-HP3-EXBDB, COLOR CODE PER MIL-STD-681.  
 INTERFACIAL SEAL: FLUOROSILICONE PER MIL-R-25988

1. MARKING: "UMI", DATE CODE, UMI PART NUMBER, UMI WORK ORDER NUMBER.  
 NOTES: UNLESS OTHERWISE SPECIFIED

QUALITY SYMBOLS MAJOR CRITICAL SPC	UNLESS SPECIFIED: ALL DIMENSIONS IN INCHES GENERAL TOLERANCES: 3 PLACE $\pm$ .002 2 PLACE $\pm$ .005 ANGULAR $\pm$ 2°	SCALE: 3:1 DWG SIZE: A	THIRD ANGLE PROJECTION REVISE ON CAD ONLY
	Uli-Mate CAGE CODE <b>58967</b>	DRAWN BY & DATE: D. URBACH 9/28/2022 CHECKED BY & DATE:	TITLE: MICRO-D CONNECTOR, RECEPTACLE, SIZE 31 MR31S0-26E5-36.0-S01
		CAD FILENAME: SD-834251530.SLDDRW	MATERIAL: 
		PART NO.: 834251530	DRAWING NO.: SD-834251530
		SHEET NO.: 1 OF 1	PART REV.: -

THIS DRAWING CONTAINS INFORMATION THAT IS PROPRIETARY TO ULTI-MATE INCORPORATED AND SHOULD NOT BE USED WITHOUT WRITTEN PERMISSION.