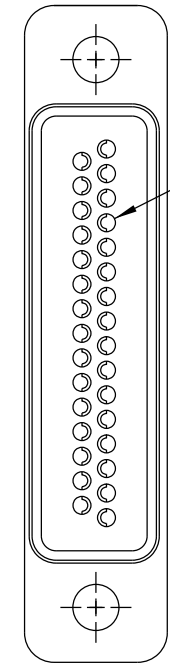
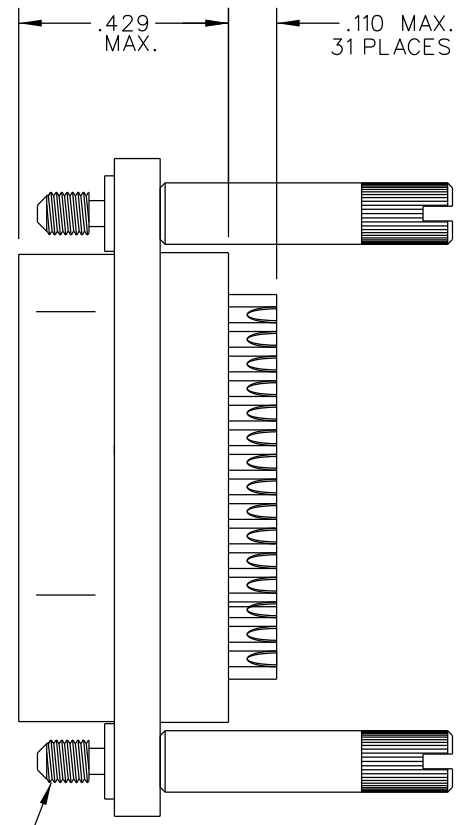
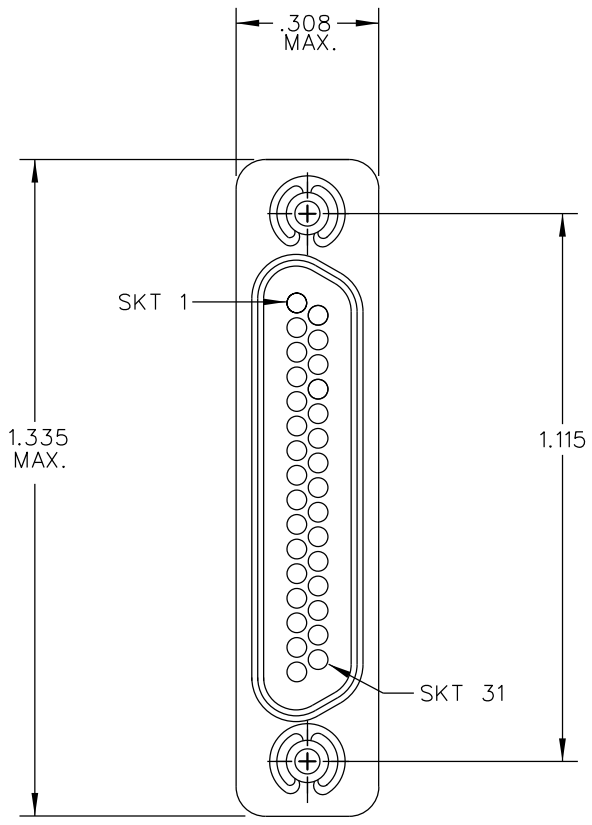


PART REV	DWG ISSUE	DATE	ECN NO.	APPVD BY	REL BY
-	-	3-28-13	UMI 4923		



2-56 HIGH PROFILE
SLOTTED HEAD JACKSCREW
2 PLACES

2

MATERIALS:
 SHELL: 6061-T6 ALUMINUM PER SAE-AMS-DD-A200/8,
 NICKEL PLATED PER AMS 2404
 INSULATOR: PPS PER MIL-M-24519 GST-40F, COLOR: BLACK
 SOCKET CONTACT: C21000 COPPER ALLOY PER ASTM B36,
 GOLD PLATED PER ASTM B488
 INTERFACIAL SEAL: FLUOROSILICONE PER MIL-R-25988

1. MARKING: UMI, DATE CODE, UMI P/N.

NOTES: UNLESS OTHERWISE SPECIFIED.

QUALITY SYMBOLS MAJOR CRITICAL SPC	UNLESS SPECIFIED: ALL DIMENSIONS IN INCHES	SCALE 4 : 1	DWG SIZE B	THIRD ANGLE PROJECTION	REVISE ON CAD ONLY
	GENERAL TOLERANCES: 3 PLACE ±.005 2 PLACE ±.01 ANGULAR ±2°	DRAWN BY & DATE DW 8-5-10	TITLE: MICRO-D RECEPTACLE, SOLDER CUP SOCKET CONTACTS, MR31T06-S01		
	Uti-Mate CAGE CODE 58967	CHECKED BY & DATE SEE ECN	MATERIAL: 2		
		APPROVED BY & DATE SEE ECN	CAD FILENAME SD-834251 006.DGN	PART NO. 834251 006	DRAWING NO. SD-834251 006
	THIS DRAWING CONTAINS INFORMATION THAT IS PROPRIETARY TO ULTI-MATE INCORPORATED AND SHOULD NOT BE USED WITHOUT WRITTEN PERMISSION.				

