

SD-834250537

2 ECN NO. UMI 4219

3 DATE 10-29-10

4

5

6

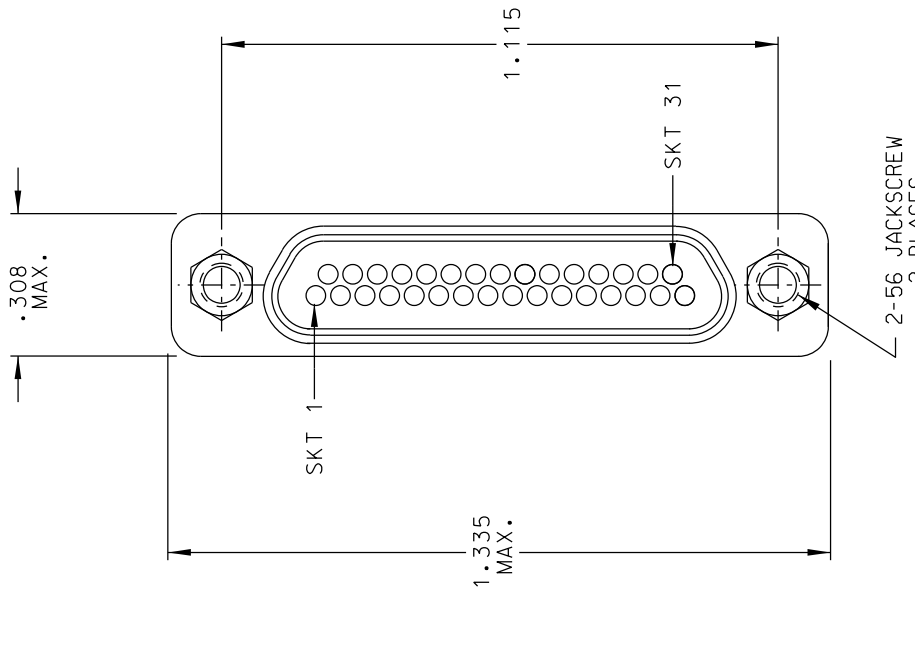
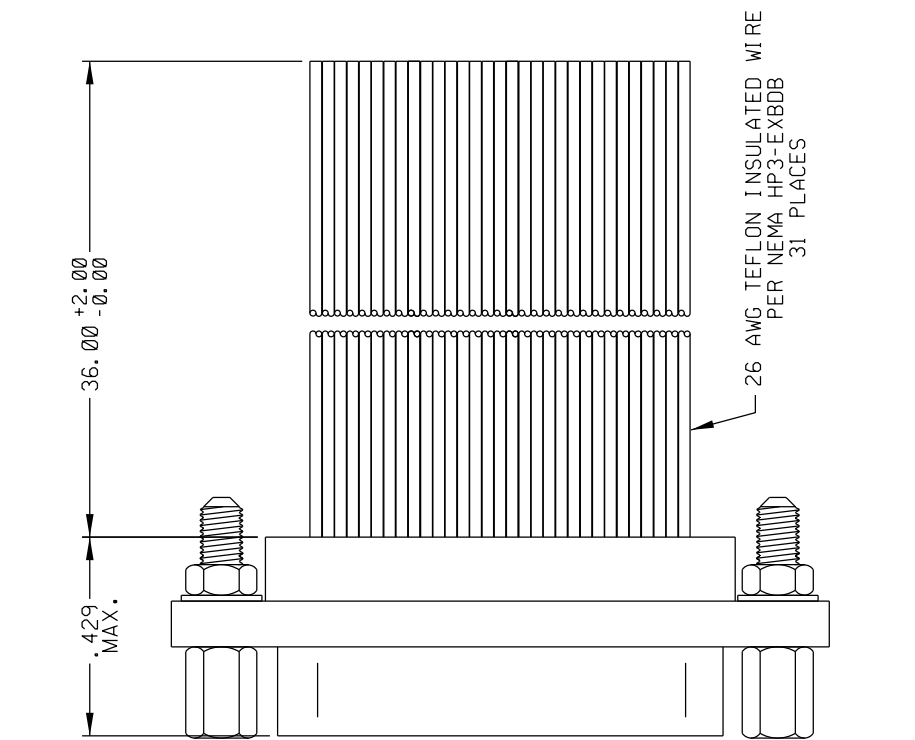
7

8

9

10

1	BLK
2	BRN
3	RED
4	ORG
5	YEL
6	GRN
7	BLU
8	VIO
9	GRY
10	WHT
11	W/BLK
12	W/BRN
13	W/RED
14	W/ORG
15	W/YEL
16	W/GRN
17	W/BLU
18	W/VIO
19	W/GRY
20	W/BLK/BRN
21	W/BLK/RED
22	W/BLK/ORG
23	W/BLK/YEL
24	W/BLK/GRN
25	W/BLK/BLU
26	W/BLK/VIO
27	W/BLK/GRY
28	W/BRN/RED
29	W/BRN/ORG
30	W/BRN/YEL
31	W/BRN/GRN



SCALE: NONE	DWG SIZE: B	THIRD ANGLE PROJECTION	REVISE ON CAD ONLY
UNLESS SPECIFIED: ALL DIMENSIONS IN INCHES	DRAWN BY & DATE: DW 10-29-10	TITLE: MICRO-D RECEPTACLE, SIZE 31, MR31S07-26E5-36.0	
MAJOR: = 0	CHECKED BY & DATE:	MATERIAL: Uti-Mate Connector Inc.	
CRITICAL: C/ = 0	APPROVED BY & DATE:	PART NO. 834250537	DRAWING NO. SD-834250537
SPC: S/ = 0	Uti-Mate CAGE CODE 58967	CAD FILENAME: SD-834250537.DGN	SHEET NO. 1 OF 1
THIS DRAWING CONTAINS INFORMATION THAT IS PROPRIETARY TO ULTI-MATE INCORPORATED AND SHOULD NOT BE USED WITHOUT WRITTEN PERMISSION.			

MATERIALS:
 SHELL: 6061-T6 ALUMINUM PER AMS-00-A200/8 CADMIUM PLATED PER SAE-AMS-00-P-416
 INSULATOR: PPS PER MIL-M-24519 GST-40F
 SOCKET CONTACTS: CDA 210 BRASS, GOLD PLATED PER ASTM B488-01
 HARDWARE: 300 SERIES STAINLESS STEEL, PASSIVATED PER AMS-2700
 INTERFACIAL SEAL: FLOURSILICONE PER MIL-R-25988
 1. MARKING: UMI, DATE CODE, UMI P/N.
 NOTES: UNLESS OTHERWISE SPECIFIED.