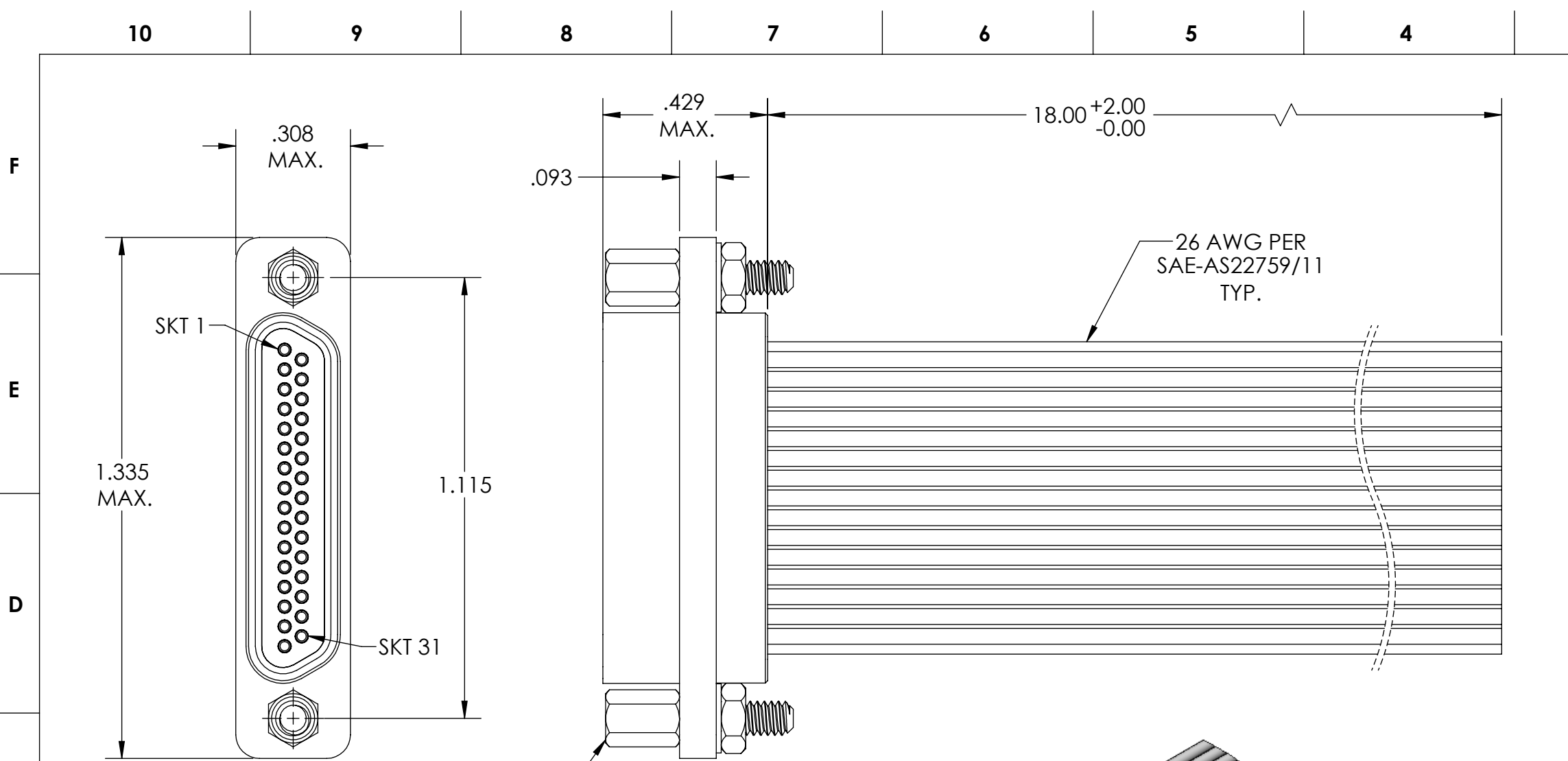
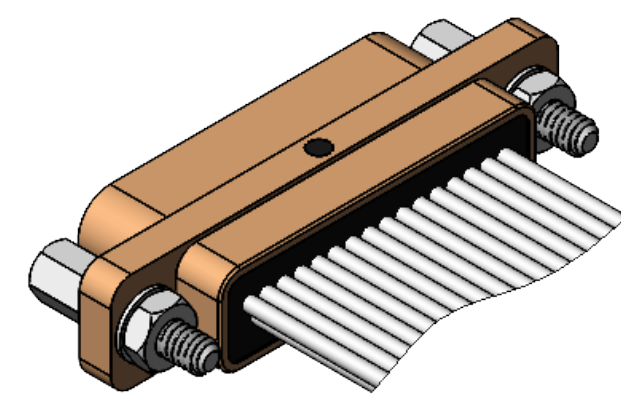
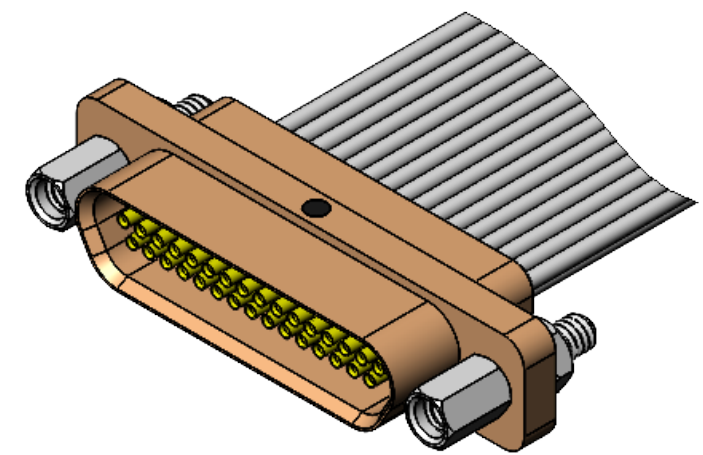


PART REV	DWG ISSUE	DATE	ECN NO.	APPVD BY	REL BY
-	-	5/26/22	UMI8035	DU	DW



1	BLK	17	W/BLU
2	BRN	18	W/VIO
3	RED	19	W/GRY
4	ORG	20	W/BLK/BRN
5	YEL	21	W/BLK/RED
6	GRN	22	W/BLK/ORG
7	BLU	23	W/BLK/YEL
8	VIO	24	W/BLK/GRN
9	GRY	25	W/BLK/BLU
10	WHT	26	W/BLK/VIO
11	W/BLK	27	W/BLK/GRY
12	W/BRN	28	W/BRN/RED
13	W/RED	29	W/BRN/ORG
14	W/ORG	30	W/BRN/YEL
15	W/YEL	31	W/BRN/GRN
16	W/GRN		



5. CONTACT HEIGHTS ARE TO BE PER QA-STD-101.

4. PERFORMANCE SPECIFICATIONS:
 CURRENT RATING: 3 AMPS MAX.
 INSULATION RESISTANCE: 5000 MEGOHMS MIN.
 DWV: 600 VAC
 TEMPERATURE RATING: -55°C TO 125°C

3 MATERIALS:
 SHELL: 6061-T6 ALUMINUM PER AMS-QQ-A200/8, CADMIUM PLATED PER AMS-QQ-P-416
 INSULATOR: PPS PER MIL-M-24519 GST-40F, COLOR: BLACK
 SOCKET CONTACTS: C21000 COPPER ALLOY PER ASTM B36, GOLD PLATED PER ASTM B488
 WIRE: 26 AWG PER SAE-AS22759/11, COLOR CODE: PER MIL-STD-681
 HARDWARE: PASSIVATED STAINLESS STEEL IAW MIL-DTL-83513/5.
 INTERFACIAL SEAL: FLUOROSILICONE PER MIL-R-25988

2. MARKING: "UMI", DATE CODE, UMI PART NUMBER, UMI WORK ORDER NUMBER

1. CONNECTOR ASSEMBLY IS IAW MIL-DTL-83513 WHERE APPLICABLE.

NOTES: UNLESS OTHERWISE SPECIFIED.

QUALITY SYMBOLS CRITICAL MAJOR NO SYMBOLS = MINOR DIMENSIONS	UNLESS OTHERWISE SPECIFIED: ALL DIMENSIONS ARE IN INCHES	SCALE NONE	DWG SIZE B	THIRD ANGLE PROJECTION	REVISE ON CAD ONLY		
	GENERAL TOLERANCES: 3 PLACES ±.005 2 PLACES ±.01 ANGULAR ±2°	DRAWN BY & DATE DU 5/26/22	TITLE: MICRO-D CONNECTOR ASSEMBLY, MR31S07-26M5-18.0, CADMIUM PLT SHELL		MATERIAL: 3	ENG PROJECT #: NONE	SHEET NO. 1 of 1
	ULTI-MATE CAGE CODE 58967	CHECKED BY & DATE DW 5/26/22	APPROVED BY & DATE DW 5/26/22	PART NO. 834250187	DRAWING NO. SD-834250187	PART REV. -	
	CAD FILE NAME SD-834250187.slddrw		THIS DRAWING CONTAINS INFORMATION THAT IS PROPRIETARY TO ULTI-MATE INCORPORATED AND SHOULD NOT BE USED WITHOUT WRITTEN PERMISSION.				