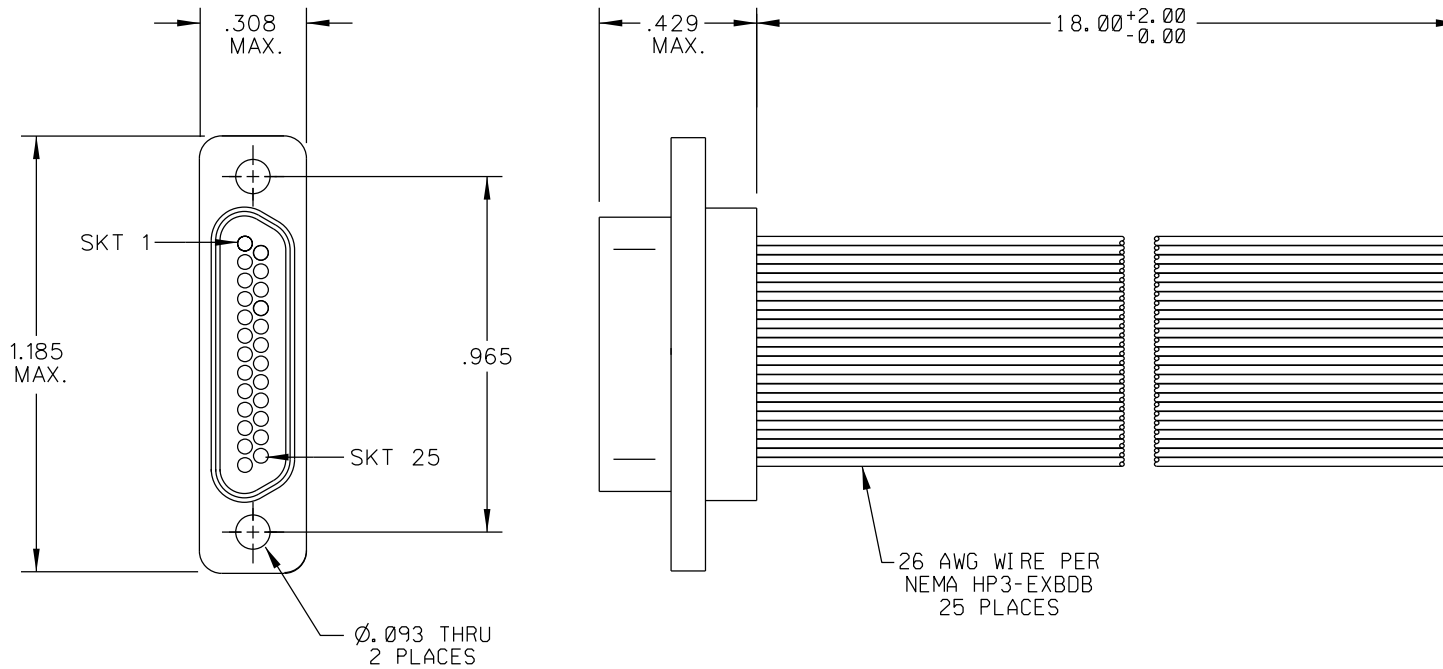


PART REV	DWG ISSUE	DATE	ECN NO.	APPVD BY	REL BY
-	-	6-12-14	UMI 5343	DW	DW



1	BLK
2	BRN
3	RED
4	ORG
5	YEL
6	GRN
7	BLU
8	VIO
9	GRY
10	WHT
11	W/BLK
12	W/BRN
13	W/RED
14	W/ORG
15	W/YEL
16	W/GRN
17	W/BLU
18	W/VIO
19	W/GRY
20	W/BLK/BRN
21	W/BLK/RED
22	W/BLK/ORG
23	W/BLK/YEL
24	W/BLK/GRN
25	W/BLK/BLU

3. PERFORMANCE SPECIFICATIONS:
 CURRENT RATING: 3 AMPS MAX.
 INSULATION RESISTANCE: 5000 MEGOHMS MIN.
 DWV: 600 VAC;
 TEMPERATURE RATING: 125°C

2. MATERIALS:
 SHELL: 6061-T6 ALUMINUM PER AMS-QQ-A200/8,
 NICKEL PLATED PER AMS 2404
 INSULATOR: PPS PER MIL-M-24519 GST-40F
 SOCKET CONTACT: COPPER ALLOY CDA 210,
 GOLD PLATED PER ASTM B488
 INTERFACIAL SEAL: FLUOROSILICONE PER MIL-R-25988

1. MARKING: UMI, DATE CODE, UMIP/N.

NOTES: UNLESS OTHERWISE SPECIFIED

QUALITY SYMBOLS CRITICAL SPECIAL KEY	UNLESS SPECIFIED: ALL DIMENSIONS IN INCHES GENERAL TOLERANCES: 3 PLACE ±.005 2 PLACE ±.01 ANGULAR ±2°	SCALE NONE	DWG SIZE B	THIRD ANGLE PROJECTION	REVISE ON CAD ONLY	
	ALL EXTERNAL SPECIFICATIONS REFERENCED ON THIS DRAWING SHALL BE TO THE LATEST REVISION IN EFFECT	DRAWN BY & DATE DW 6-12-14	TITLE: MICRO-D RECEPTACLE, SIZE 25, SKT CONTACTS, METAL SHELL, MR25S0-26E5-18.0-S01			
	Uti-Mate CAGE CODE 58967	CHECKED BY & DATE SEE ECN	MATERIAL:		Uti-Mate Connector Inc.	
		APPROVED BY & DATE SEE ECN	CAD FILENAME SD-834241070.DGN	PART NO. 834241070	DRAWING NO. SD-834241070	SHEET NO. 1 OF 1

THIS DRAWING CONTAINS INFORMATION THAT IS PROPRIETARY TO ULTI-MATE INCORPORATED AND SHOULD NOT BE USED WITHOUT WRITTEN PERMISSION.