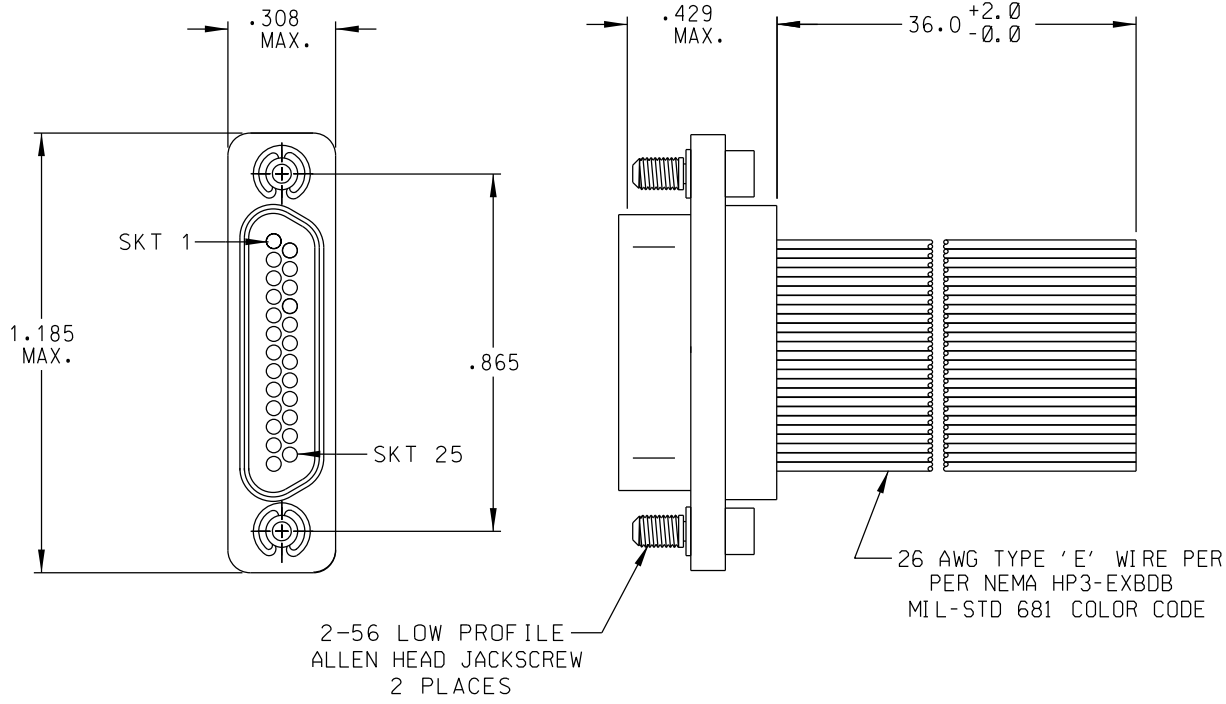


10 9 8 7 6 5 4 3 2

SD-834240532

| PART REV | DWG ISSUE | DATE | ECN NO. | APPVD BY | REL BY |
|----------|-----------|---------|---------|----------|--------|
| - | - | 9/19/12 | UMI4724 | | |



| | |
|----|-----------|
| 1 | BLK |
| 2 | BRN |
| 3 | RED |
| 4 | ORG |
| 5 | YEL |
| 6 | GRN |
| 7 | BLU |
| 8 | VIO |
| 9 | GRY |
| 10 | WHT |
| 11 | W/BLK |
| 12 | W/BRN |
| 13 | W/RED |
| 14 | W/ORG |
| 15 | W/YEL |
| 16 | W/GRN |
| 17 | W/BLU |
| 18 | W/VIO |
| 19 | W/GRY |
| 20 | W/BLK/BRN |
| 21 | W/BLK/RED |
| 22 | W/BLK/ORG |
| 23 | W/BLK/YEL |
| 24 | W/BLK/GRN |
| 25 | W/BLK/BLU |

MATERIALS:
 SHELL: 6061-T6 ALUMINUM PER AMS-QQ-A200/8,
 CADMIUM PLATED PER AMS-QQ-P-416
 INSULATOR: PPS PER MIL-M-24519 GST-40F, COLOR: BLACK
 SOCKET CONTACTS: C21000 BRASS ALLOY PER ASTM B36,
 GOLD PLATED PER ASTM B488
 HARDWARE: PASSIVATED STAINLESS STEEL IAW MIL-DTL-83513/5
 INTERFACIAL SEAL: FLOUROSILICONE PER MIL-R-25988

1. MARKING: UMI, DATE CODE, UMI P/N.
 NOTES: UNLESS OTHERWISE SPECIFIED.

| | | | |
|--|---|---|---|
| QUALITY SYMBOLS MAJOR CRITICAL SPC | UNLESS SPECIFIED: ALL DIMENSIONS IN INCHES/MM GENERAL TOLERANCES: 3 PLACE ±.002/.051 2 PLACE ±.005/.13 ANGULAR ±2° | SCALE NONE DWG SIZE B | THIRD ANGLE PROJECTION REVISE ON CAD ONLY |
| | DRAWN BY & DATE DU 9-19-12 CHECKED BY & DATE | TITLE: MICRO-D CONNECTOR, 25 SKT, 26 AWG WIRE, 36.0 IN LONG, MR25S02-26E5-36.0 | |
| | APPROVED BY & DATE | MATERIAL: | |
| | CAD FILENAME SD-834240532.DGN | PART NO. 834240532 | DRAWING NO. SD-834240532 |
| Uti-Mate CAGE CODE 58967 | | | |
| THIS DRAWING CONTAINS INFORMATION THAT IS PROPRIETARY TO ULTI-MATE INCORPORATED AND SHOULD NOT BE USED WITHOUT WRITTEN PERMISSION. | | | |