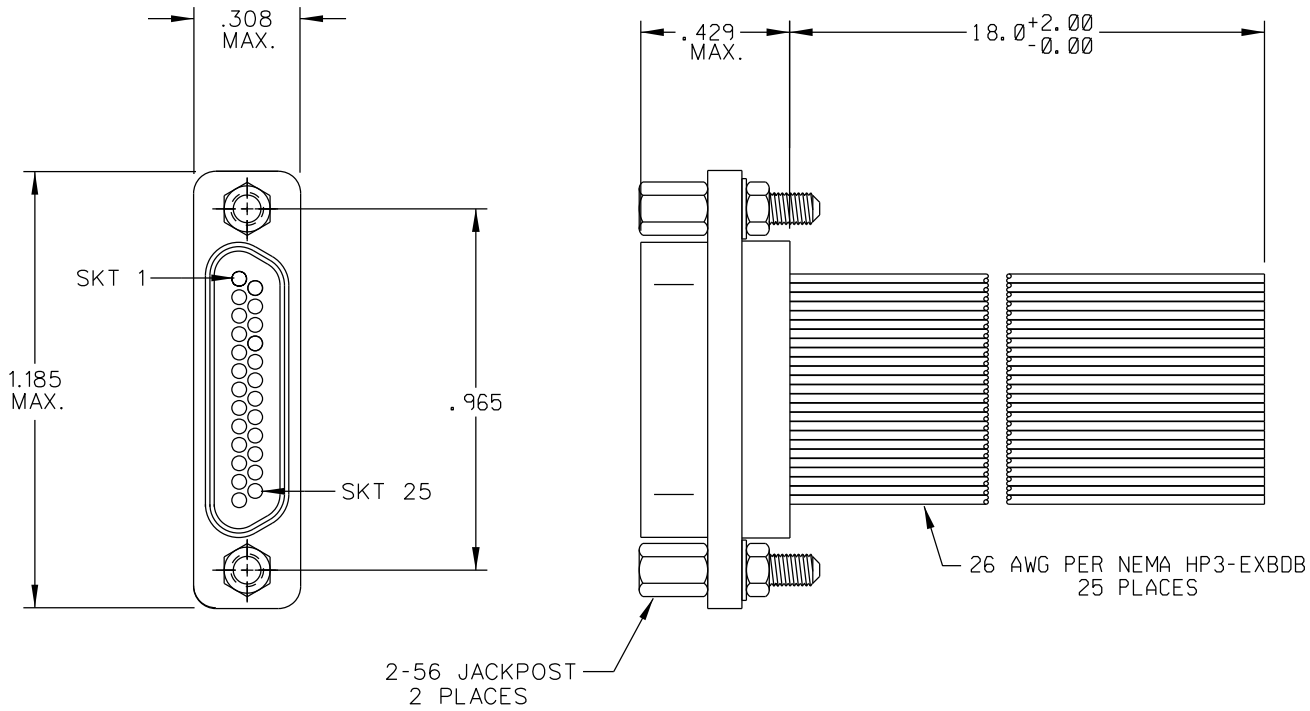


PART REV	DWG ISSUE	DATE	ECN NO.	APPVD BY	REL BY
-	-	11-12-13	UMI 5154	DW	DW



1	BLK
2	BRN
3	RED
4	ORG
5	YEL
6	GRN
7	BLU
8	VIO
9	GRY
10	WHT
11	W/BLK
12	W/BRN
13	W/RED
14	W/ORG
15	W/YEL
16	W/GRN
17	W/BLU
18	W/VIO
19	W/GRY
20	W/BLK/BRN
21	W/BLK/RED
22	W/BLK/ORG
23	W/BLK/YEL
24	W/BLK/GRN
25	W/BLK/BLU

MATERIALS:
 SHELL: 6061-T6 ALUMINUM PER AMS-QQ-A200/8,
 CADMIUM PLATED PER AMS-QQ-P-416
 INSULATOR: PPS PER MIL-M-24519 GST-40F, COLOR: BLACK
 SOCKET CONTACT: C2100 COPPER ALLOY PER ASTM B36,
 GOLD PLATED PER ASTM B488
 HARDWARE: PASSIVATED STAINLESS STEEL IAW MIL-DTL-83513
 INTERFACIAL SEAL: FLOUROSILICONE PER MIL-R-25988

1. MARKING: UMI, DATE CODE, UMIP/N.

NOTES: UNLESS OTHERWISE SPECIFIED.

QUALITY SYMBOLS CRITICAL MAJOR NO SYMBOL - MINOR DIMENSION	UNLESS SPECIFIED: ALL DIMENSIONS IN INCHES GENERAL TOLERANCES: 3 PLACE ±.005 2 PLACE ±.01 ANGULAR ±2°	SCALE 3:1 DWG SIZE B	DWG DATE DW 11-12-13	THIRD ANGLE PROJECTION	REVISE ON CAD ONLY	
	ALL EXTERNAL SPECIFICATIONS REFERENCED ON THIS DRAWING SHALL BE TO THE LATEST REVISION IN EFFECT	DRAWN BY & DATE DW 11-12-13	TITLE: MICRO-D RECEPTACLE, SIZE 25, METAL SHELL, MR25S07-26E5-18.0			
	Ulti-Mate CAGE CODE 58967	CHECKED BY & DATE SEE ECN	MATERIAL:		Ulti-Mate Connector Inc.	
		APPROVED BY & DATE SEE ECN	CAD FILENAME SD-834240077.DGN	PART NO. 834240077	DRAWING NO. SD-834240077	SHEET NO. 1 OF 1

THIS DRAWING CONTAINS INFORMATION THAT IS PROPRIETARY TO ULTI-MATE INCORPORATED AND SHOULD NOT BE USED WITHOUT WRITTEN PERMISSION.