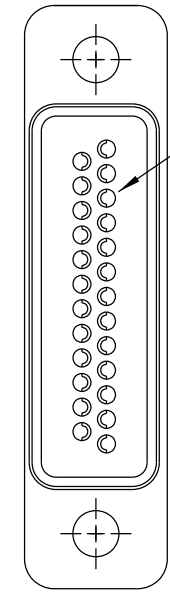
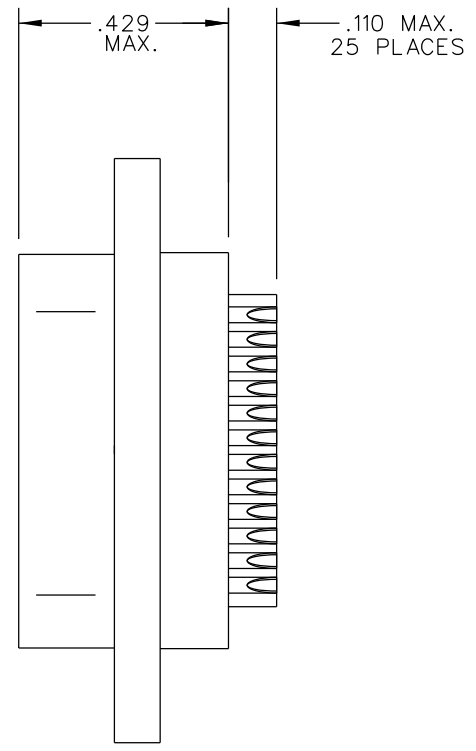
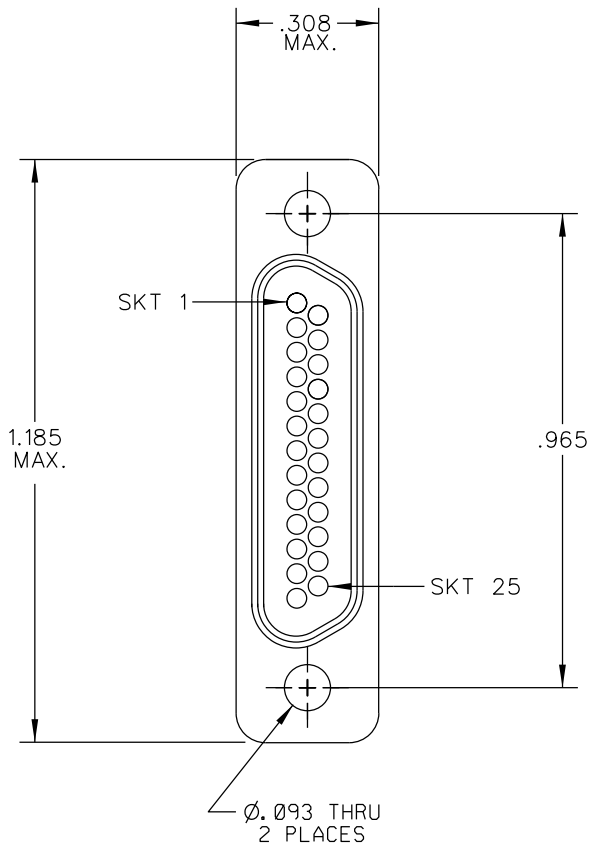


SD-834240000

PART REV	DWG ISSUE	DATE	ECN NO.	APPVD BY	REL BY
-	-	8-5-10	UMI 4138	DW	DW
-	A	3-22-13	UMI 4916	DW	DW



SOLDER CUP CONTACTS ACCEPT UP TO 24 AWG WIRE AND ARE ORIENTED AS SHOWN

PART NO.	ENG. NO.	SHELL PLATING
834240000	MR25T0	CADMIUM PLATED PER SAE-AMS-QQ-P-416
834241000	MR25T0-S01	ELECTROLESS NICKEL PLATED PER AMS 2404

**MATERIALS:**  
 SHELL: 6061-T6 ALUMINUM PER SAE-AMS-QQ-A200/8, SEE CHART FOR PLATING  
 INSULATOR: PPS PER MIL-M-24519 GST-40F, COLOR: BLACK  
 SOCKET CONTACT: C21000 COPPER ALLOY PER ASTM B36, GOLD PLATED PER ASTM B488  
 INTERFACIAL SEAL: FLUOROSILICONE PER MIL-R-25988  
 1. MARKING: UMI, DATE CODE, UMI P/N.  
 NOTES: UNLESS OTHERWISE SPECIFIED.

QUALITY SYMBOLS CRITICAL SPECIAL KEY	UNLESS SPECIFIED: ALL DIMENSIONS IN INCHES GENERAL TOLERANCES: 3 PLACE ±.005 2 PLACE ±.01 ANGULAR ±2°	SCALE 4 : 1 DWG SIZE B	THIRD ANGLE PROJECTION REVISE ON CAD ONLY	
	ALL EXTERNAL SPECIFICATIONS REFERENCED ON THIS DRAWING SHALL BE TO THE LATEST REVISION IN EFFECT Ulti-Mate CAGE CODE <b>58967</b>	DRAWN BY & DATE DW 8-5-10 CHECKED BY & DATE SEE ECN APPROVED BY & DATE SEE ECN	TITLE: MICRO-D RECEPTACLE, SOLDER CUP SOCKET CONTACTS, MR25T0/MR25T0-S01	
		CAD FILENAME SD-834240000.DGN	MATERIAL: 2 Ulti-Mate Connector Inc.	PART NO. SEE CHART
		DRAWING NO. SD-834240000	SHEET NO. 1 OF 1	PART REV -