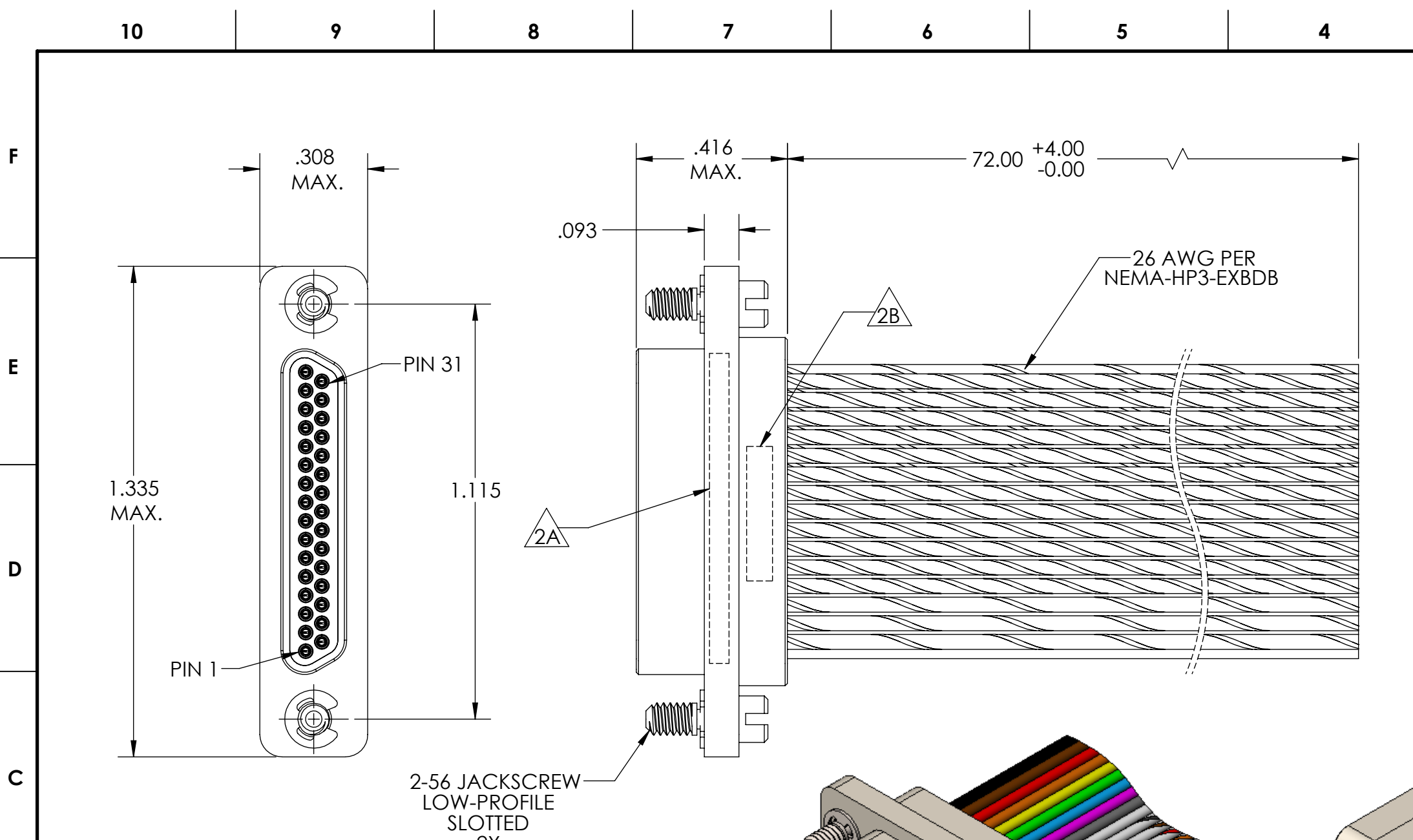
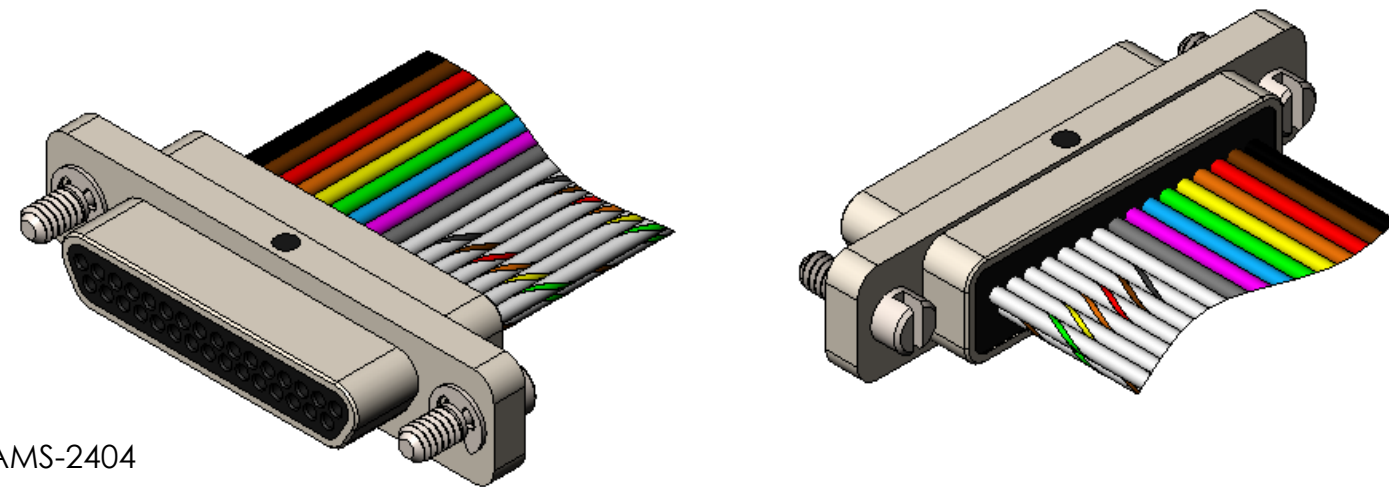


PART REV	DWG ISSUE	DATE	ECN NO.	APPVD BY	REL BY
-	-	1/25/16	UMI5862	DW	DW



1	BLK
2	BRN
3	RED
4	ORG
5	YEL
6	GRN
7	BLU
8	VIO
9	GRY
10	WHT
11	W/BLK
12	W/BRN
13	W/RED
14	W/ORG
15	W/YEL
16	W/GRN
17	W/BLU
18	W/VIO
19	W/GRY
20	W/BLK/BRN
21	W/BLK/RED
22	W/BLK/ORG
23	W/BLK/YEL
24	W/BLK/GRN
25	W/BLK/BLU
26	W/BLK/VIO
27	W/BLK/GRY
28	W/BRN/RED
29	W/BRN/ORG
30	W/BRN/YEL
31	W/BRN/GRN



4. PERFORMANCE SPECIFICATIONS:
 CURRENT RATING: 3 AMPS MAX.
 INSULATION RESISTANCE: 5000 MEGOHMS MIN.
 DWV: 600 VAC
 TEMPERATURE RATING: 125° C

3 MATERIALS:
 SHELL: 6061-T6 ALUMINUM PER AMS-QQ-A200/8, NICKEL PLATED PER AMS-2404
 INSULATOR: PPS PER MIL-M-24519 GST-40F, COLOR: BLACK
 PIN CONTACT: C17200 BERYLLIUM COPPER PER ASTM B194, GOLD PLATED PER ASTM B488
 HARDWARE: PASSIVATED STAINLESS STEEL IAW MIL-DTL-83513/5
 WIRE: 26 AWG PER NEMA-HP3-EXBDB, COLOR CODE PER MIL-STD-681

2. MARKING:
 2A "UMI", DATE CODE, UMI PART NUMBER
 2B UMI WORK ORDER NUMBER

1. CONNECTOR ASSEMBLY IS IAW MIL-DTL-83513 UNLESS OTHERWISE SPECIFIED.

NOTES: UNLESS OTHERWISE SPECIFIED.

QUALITY SYMBOLS CRITICAL MAJOR NO SYMBOLS = MINOR DIMENSIONS	UNLESS OTHERWISE SPECIFIED: ALL DIMENSIONS ARE IN INCHES	SCALE 3:1	DWG SIZE B	THIRD ANGLE PROJECTION	REVISE ON CAD ONLY	
	GENERAL TOLERANCES: 3 PLACES ±.005 2 PLACES ±.01 ANGULAR ±2°	DRAWN BY & DATE DU 1/25/16	TITLE: MICRO-D CONNECTOR ASSEMBLY, MR31P05-25E5-72.0-S01			
	ULTI-MATE CAGE CODE 58967	CHECKED BY & DATE DW 1/25/16	MATERIAL: 3		ENG PROJECT #: NONE	 Connector Inc.
		APPROVED BY & DATE DW 1/25/16	PART NO. 834151035	DRAWING NO. SD-834151035	SHEET NO. 1 of 1	
		CAD FILE NAME SD-834151035.SLDDRW	THIS DRAWING CONTAINS INFORMATION THAT IS PROPRIETARY TO ULTI-MATE INCORPORATED AND SHOULD NOT BE USED WITHOUT WRITTEN PERMISSION.			