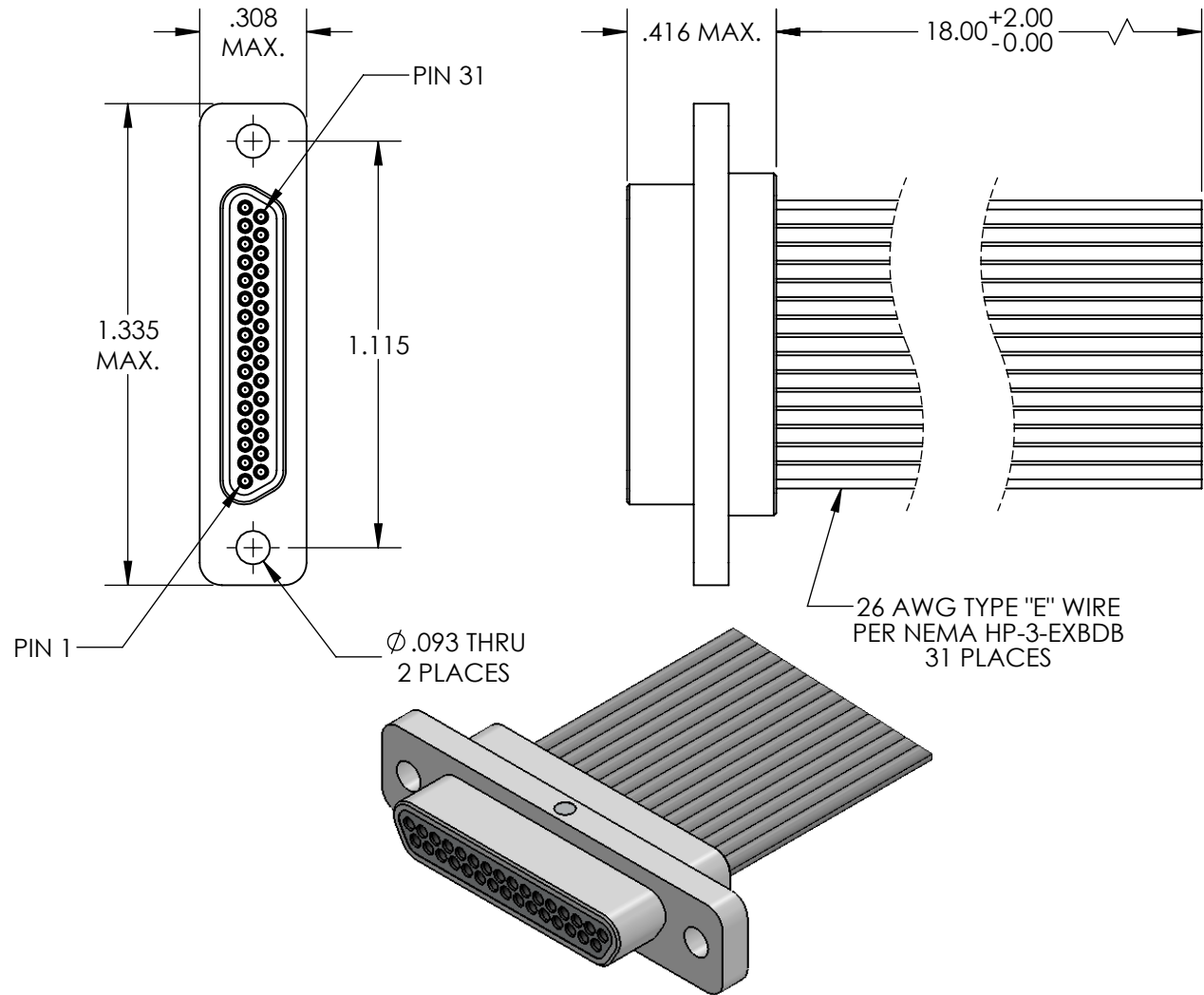


COLOR CODE

1	BLK
2	BRN
3	RED
4	ORG
5	YEL
6	GRN
7	BLU
8	VIO
9	GRY
10	WHT
11	W/BLK
12	W/BRN
13	W/RED
14	W/ORG
15	W/YEL
16	W/GRN
17	W/BLU
18	W/VIO
19	W/GRY
20	W/BLK/BRN
21	W/BLK/RED
22	W/BLK/ORG
23	W/BLK/YEL
24	W/BLK/GRN
25	W/BLK/BLU
26	W/BLK/VIO
27	W/BLK/GRY
28	W/BRN/RED
29	W/BRN/ORG
30	W/BRN/YEL
31	W/BRN/GRN

REVISIONS			
DWG. ISSUE	PART REV.	ECN NO.	DATE
-	-	UMI4743	10/08/2012



3. PERFORMANCE SPECIFICATIONS:  
 CURRENT RATING: 3A MAX.  
 INSULATION RESISTANCE: 5000 MΩ MIN.  
 DWV: 600 VAC  
 TEMPERATURE RATING: 125°C  
 CONTACT RESISTANCE: 8 mΩ MAX AT 2.5 AMPS

MATERIALS:  
 SHELL: 6061-T6 ALUMINUM PER AMS-QQ-A200/8, CADMIUM PLATED PER AMS-QQ-P-416  
 INSULATOR: PPS PER MIL-M-24519 GST-40F, COLOR: BLK  
 PIN CONTACTS: C17200 BERYLLIUM COPPER PER ASTM B194, GOLD PLATED PER ASTM B488

1. MARKINGS: UMI, UMI PART NO., AND DATE CODE

NOTES: UNLESS OTHERWISE SPECIFIED

QUALITY SYMBOLS MAJOR CRITICAL SPC	UNLESS SPECIFIED: ALL DIMENSIONS IN INCHES	SCALE: 2:1	DWG SIZE: A	THIRD ANGLE PROJECTION	REVISE ON CAD ONLY	
	GENERAL TOLERANCES: 3 PLACE ±.002 2 PLACE ±.005 ANGULAR ±2°	DRAWN BY & DATE J.BUZOIANU 10/29/2012	TITLE MICRO-D CONNECTOR, PLUG, SIZE 31		MATERIAL MR31P0-26E5-18.0	
	Ulti-Mate CAGE CODE <b>58967</b>	CHECKED BY & DATE	CAD FILENAME SD-834150070.slddrw	PART NO. 834150070	DRAWING NO. SD-834150070	SHEET NO. 1 OF 1
	THIS DRAWING CONTAINS INFORMATION THAT IS PROPRIETARY TO ULTI-MATE INCORPORATED AND SHOULD NOT BE USED WITHOUT WRITTEN PERMISSION.				PART REV. -	