

10

9

8

7

6

5

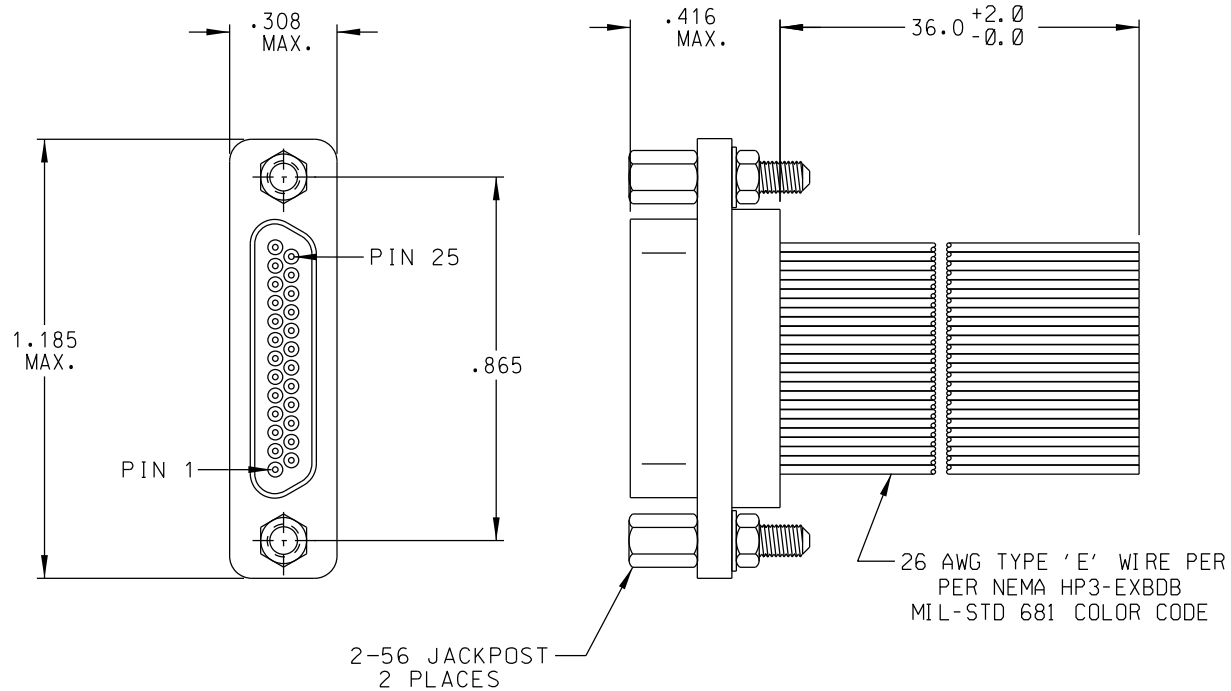
4

3

2

SD-834140537

PART REV	DWG ISSUE	DATE	ECN NO.	APPVD BY	REL BY
-	-	9/19/12	UMI4724		



1	BLK
2	BRN
3	RED
4	ORG
5	YEL
6	GRN
7	BLU
8	VIO
9	GRY
10	WHT
11	W/BLK
12	W/BRN
13	W/RED
14	W/ORG
15	W/YEL
16	W/GRN
17	W/BLU
18	W/VIO
19	W/GRY
20	W/BLK/BRN
21	W/BLK/RED
22	W/BLK/ORG
23	W/BLK/YEL
24	W/BLK/GRN
25	W/BLK/BLU

2 MATERIALS:
 SHELL: 6061-T6 ALUMINUM PER AMS-QQ-A200/8,
 CADMIUM PLATED PER AMS-QQ-P-416
 INSULATOR: PPS PER MIL-M-24519 GST-40F, COLOR: BLACK
 PIN CONTACTS: C17200 BERYLLIUM COPPER PER ASTM B194,
 GOLD PLATED PER ASTM B488
 HARDWARE: PASSIVATED STAINLESS STEEL IAW MIL-DTL-83513/5

1. MARKING: UMI, DATE CODE, UMI P/N.

NOTES: UNLESS OTHERWISE SPECIFIED.

QUALITY SYMBOLS MAJOR CRITICAL SPC	UNLESS SPECIFIED: ALL DIMENSIONS IN INCHES/MM GENERAL TOLERANCES: 3 PLACE $\pm .002/.051$ 2 PLACE $\pm .005/.13$ ANGULAR $\pm 2^\circ$	SCALE NONE	DWG SIZE B	THIRD ANGLE PROJECTION	REVISE ON CAD ONLY
	Uti-Mate CAGE CODE 58967	DRAWN BY & DATE DU 9-19-12 CHECKED BY & DATE APPROVED BY & DATE	TITLE: MICRO-D CONNECTOR, 25 PIN, 26 AWG WIRE, 36.0 IN LONG, MR25P07-26E5-36.0		MATERIAL: 2 Uti-Mate Connector Inc.
CAD FILENAME SD-834140537.DGN		PART NO. 834140537	DRAWING NO. SD-834140537	SHEET NO. 1 OF 1 PART REV -	
THIS DRAWING CONTAINS INFORMATION THAT IS PROPRIETARY TO ULTI-MATE INCORPORATED AND SHOULD NOT BE USED WITHOUT WRITTEN PERMISSION.					