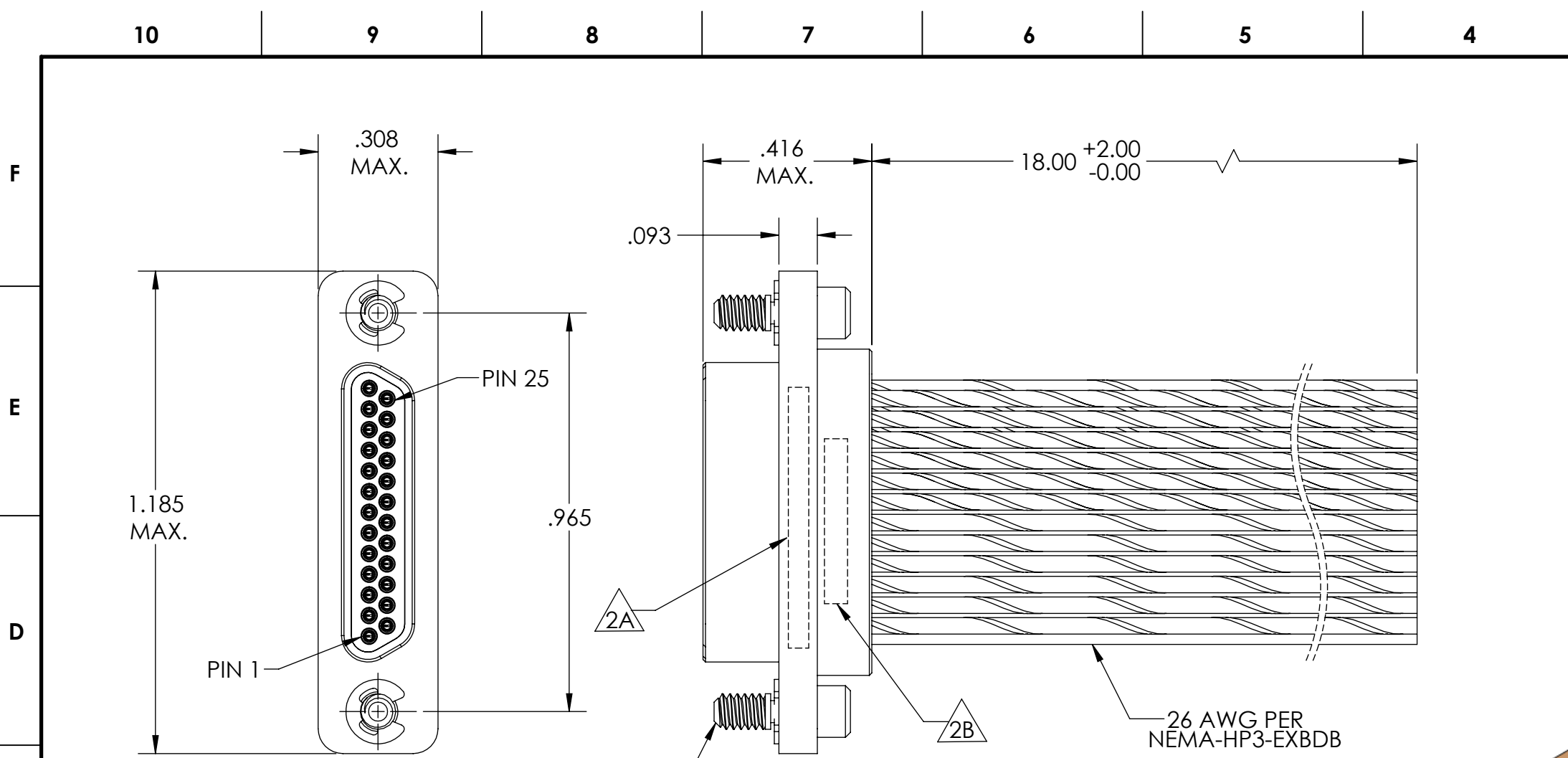
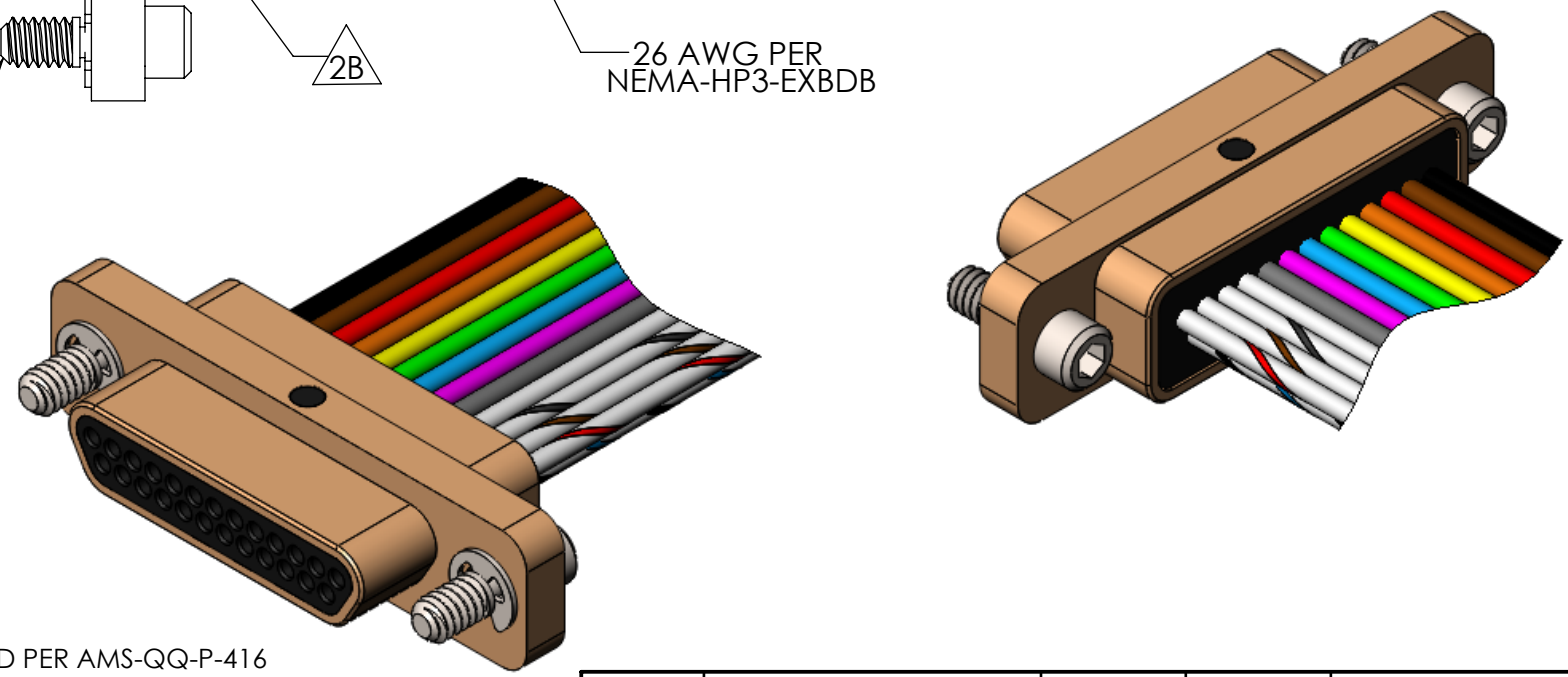


| PART REV | | DWG ISSUE | DATE | ECN NO. | APPVD BY | REL BY |
|----------|--|-----------|--------|---------|----------|--------|
| - | | - | 6/7/16 | UMI5989 | DW | DW |



| | |
|----|-----------|
| 1 | BLK |
| 2 | BRN |
| 3 | RED |
| 4 | ORG |
| 5 | YEL |
| 6 | GRN |
| 7 | BLU |
| 8 | VIO |
| 9 | GRY |
| 10 | WHT |
| 11 | W/BLK |
| 12 | W/BRN |
| 13 | W/RED |
| 14 | W/ORG |
| 15 | W/YEL |
| 16 | W/GRN |
| 17 | W/BLU |
| 18 | W/VIO |
| 19 | W/GRY |
| 20 | W/BLK/BRN |
| 21 | W/BLK/RED |
| 22 | W/BLK/ORG |
| 23 | W/BLK/YEL |
| 24 | W/BLK/GRN |
| 25 | W/BLK/BLU |



4. PERFORMANCE SPECIFICATIONS:
 CURRENT RATING: 3 AMPS MAX.
 INSULATION RESISTANCE: 5000 MEGOHMS MIN.
 DWV: 600 VAC
 TEMPERATURE RATING: 125° C

3 MATERIALS:
 SHELL: 6061-T6 ALUMINUM PER AMS-QQ-A200/8, CADMIUM PLATED PER AMS-QQ-P-416
 INSULATOR: PPS PER MIL-M-24519 GST-40F, COLOR: BLACK
 PIN CONTACT: C17200 BERYLLIUM COPPER PER ASTM B194, GOLD PLATED PER ASTM B488
 HARDWARE: PASSIVATED STAINLESS STEEL IAW MIL-DTL-83513/5
 WIRE: 26 AWG PER NEMA-HP-EXBDB, COLOR CODE PER MIL-STD-681

2. MARKING:
 2A "UMI", DATE CODE, UMI PART NUMBER
 2B UMI WORK ORDER NUMBER

1. CONNECTOR ASSEMBLY IS IAW MIL-DTL-83513 UNLESS OTHERWISE SPECIFIED.
NOTES: UNLESS OTHERWISE SPECIFIED.

| | | | | | | |
|---|---|--|---|------------------------|-----------------------------|---------------------|
| QUALITY SYMBOLS CRITICAL C MAJOR ▼ NO SYMBOLS = MINOR DIMENSIONS | UNLESS OTHERWISE SPECIFIED: ALL DIMENSIONS ARE IN INCHES | SCALE 3:1 DWG SIZE B | THIRD ANGLE PROJECTION | REVISE ON CAD ONLY | | |
| | GENERAL TOLERANCES: 3 PLACES ±.005 2 PLACES ±.01 ANGULAR ±2° | DRAWN BY & DATE DU 6/7/16 | TITLE: MICRO-D CONNECTOR ASSEMBLY, MR25P02-26E5-18.0, CADMIUM PLT SHELL | | | |
| | | CHECKED BY & DATE DW 6/7/16 | MATERIAL: 3 | ENG PROJECT #: NONE | | |
| | | APPROVED BY & DATE DW 6/7/16 | CAD FILE NAME SD-834140072.SLDDRW | PART NO. 834140072 | DRAWING NO. SD-834140072 | SHEET NO. 1 of 1 |
| ULTI-MATE CAGE CODE 58967 | | THIS DRAWING CONTAINS INFORMATION THAT IS PROPRIETARY TO ULTI-MATE INCORPORATED AND SHOULD NOT BE USED WITHOUT WRITTEN PERMISSION. | | | | |

