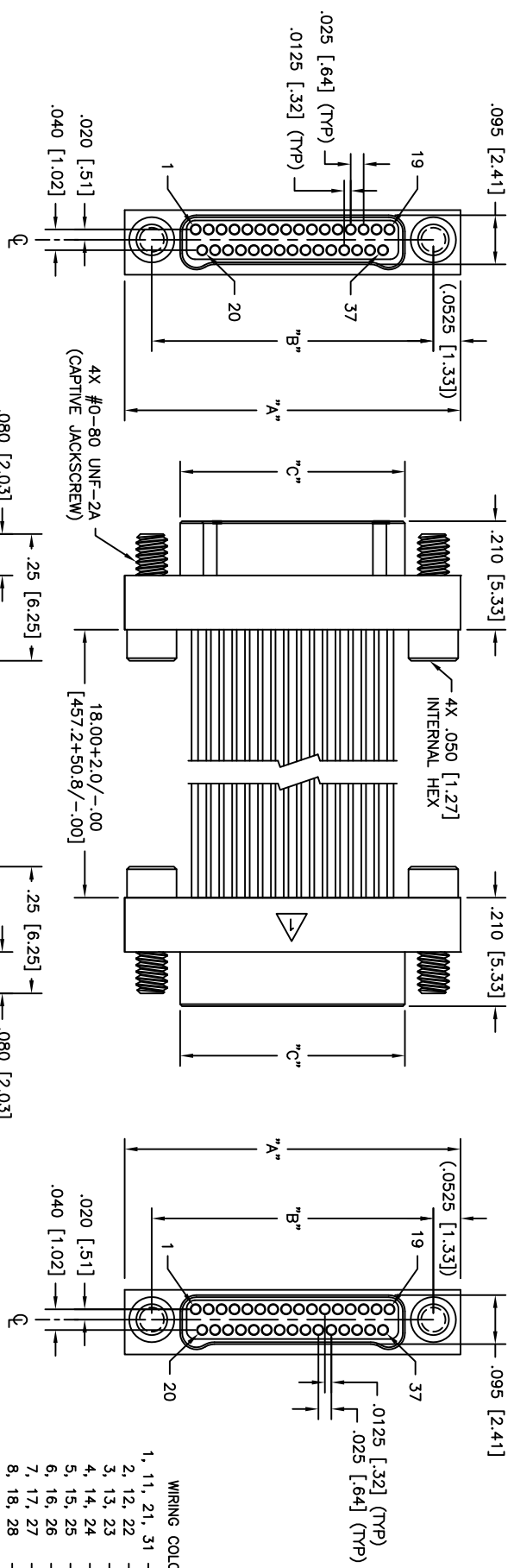


PART/DWG REV ISSUE	DATE	ECN NO.	APPD BY	REL BY
-	02/17/11	UMI4305	T.POMBARA	PER



- WIRING COLOR CODE
- 1, 11, 21, 31 — BLACK
  - 2, 12, 22 — BROWN
  - 3, 13, 23 — RED
  - 4, 14, 24 — ORANGE
  - 5, 15, 25 — YELLOW
  - 6, 16, 26 — GREEN
  - 7, 17, 27 — BLUE
  - 8, 18, 28 — VIOLET
  - 9, 19, 29 — GRAY
  - 10, 20, 30 — WHITE

PART NO.	SIZE	"A"	"B"	"C"
833818622	9	.375 [9.52]	.270 [6.86]	.160 [4.06]
833828622	15	.450 [11.43]	.345 [8.76]	.235 [5.97]
833838622	21	.525 [13.33]	.420 [10.67]	.310 [7.87]
833848622	25	.575 [14.60]	.470 [11.94]	.360 [9.14]
833858622	31	.650 [16.51]	.545 [13.84]	.435 [11.05]
833868622	37	.725 [18.41]	.620 [15.75]	.510 [12.95]
833878622	51	.900 [22.86]	.795 [20.19]	.685 [17.40]
833888622	65	1.075 [27.30]	.970 [24.64]	.860 [21.84]

4. WIRE PIN 1 TO 1, PIN 2 TO 2, 3 TO 3, ETC.

3. PERFORMANCE: MEETS OR EXCEEDS M32139 PERFORMANCE SPECIFICATIONS  
 CONTACT RATING: 1 AMPERE MAXIMUM  
 DWV: 250 VAC  
 INSULATION RESISTANCE: 5000 MEGOHMS MINIMUM @ 100 VDC  
 CONTACT RESISTANCE: 0.071 VOLT MAXIMUM DROP @ 1.0 AMPS (.071 OHMS)  
 W/6.00" OF WIRE LISTED BELOW, PER MIL-DTL-32139

2. MATERIALS: SHELL AND INSULATOR: LCP (LIQUID CRYSTAL POLYMER) GLCP-30F  
 CONTACT: BERYLLIUM COPPER PER ASTM B194, GOLD PLATED PER ASTM B488  
 LEADS: 30 AWG, NEMA HP3, TYPE ET, COLOR CODED PER MIL-DTL-681, SYSTEM 1,  
 EXCEPT USING 10 SOLID REPEATING COLORS  
 HARDWARE: 303 STAINLESS PER ASTM 582

1. MARKINGS: UMI, DATE CODE, UMI P/N AS SPACE PERMITS, OTHERWISE BAG OR TAG

NOTES: UNLESS OTHERWISE SPECIFIED

QUALITY SYMBOLS	UNLESS SPECIFIED, ALL DIMENSIONS IN INCHES	SCALE	DWG SIZE	THIRD ANGLE PROJECTION	REVISE ON CAD ONLY
HAZARD	GENERAL TOLERANCES:	5:1	B		
CRITICAL	3 PLACE ±.005	DRAWN BY & DATE	03-09-10	TITLE:	NANO-D DUAL ROW CONNECTOR, MALE/MALE,
C	2 PLACE ±.010	CHECKED BY & DATE		SIZE XX, NPLXX-2P02/NPLXX-2P02-30F6-18.0-501	
S	ANGULAR ±2°	SEE ECN		MATERIAL:	
		SEE ECN			
		CAD FILENAME	SD-83388622.DWG	PART NO.	SD-83388622
		UTII-MATE CASE CODE	58967	DRAWING NO.	SD-83388622
				SHEET NO.	1 OF 1
				REV	

THIS DRAWING CONTAINS INFORMATION THAT IS PROPRIETARY TO UTII-MATE INCORPORATED AND SHOULD NOT BE USED WITHOUT WRITTEN PERMISSION