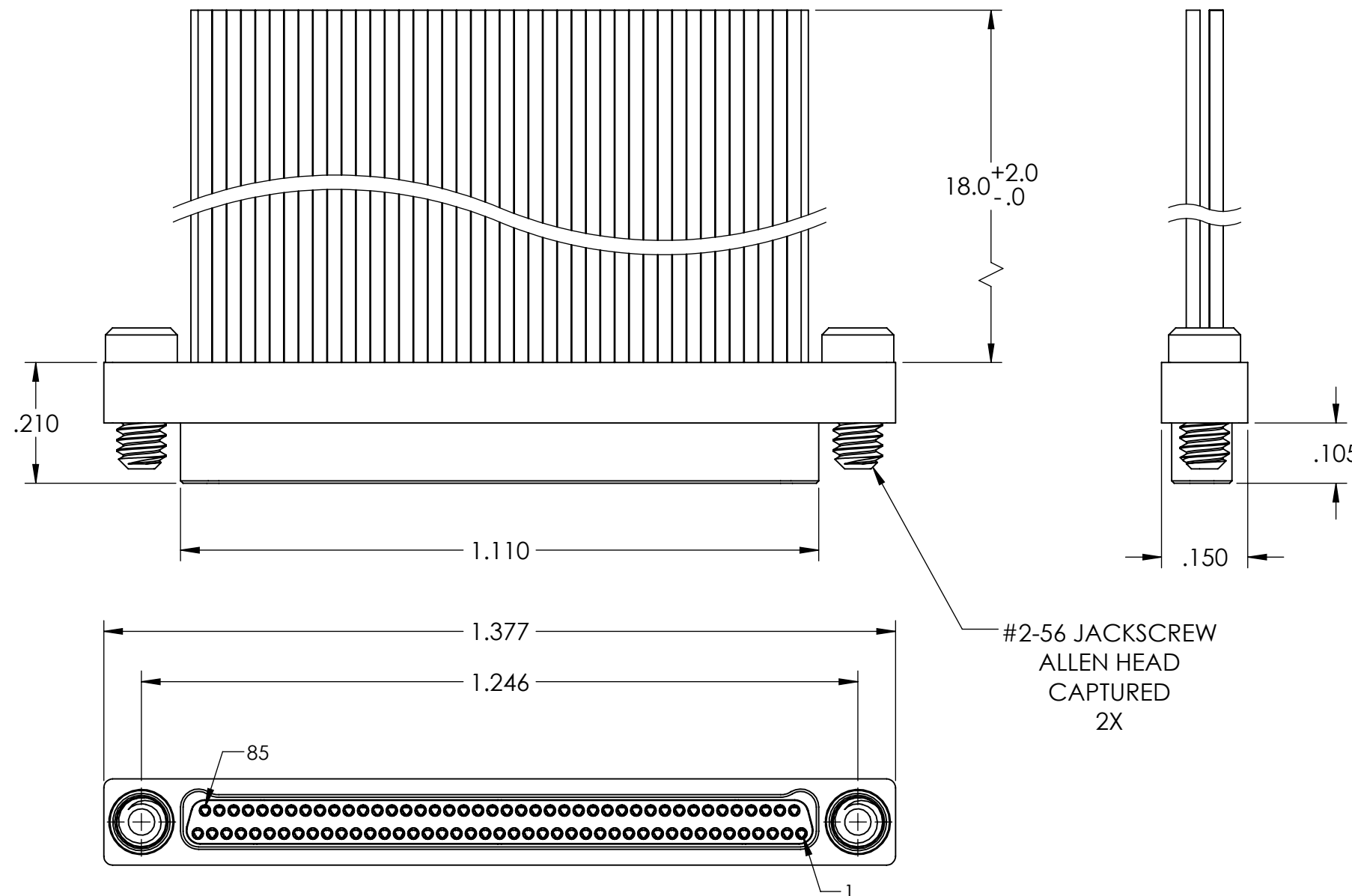


REVISIONS					
PART REV.	DWG. ISSUE	DATE	ECN NO.	APPVD. BY	REL. BY
-	-	05/17/2021	UMI7754	FA	DW



**WIRING COLOR CODE**

1, 11, 21, 31, 41, 51, 61, 71, 81	———	BLACK
2, 12, 22, 32, 42, 52, 62, 72, 82	———	BROWN
3, 13, 23, 33, 43, 53, 63, 73, 83	———	RED
4, 14, 24, 34, 44, 54, 64, 74, 84	———	ORANGE
5, 15, 25, 35, 45, 55, 65, 75, 85	———	YELLOW
6, 16, 26, 36, 46, 56, 66, 76	———	GREEN
7, 17, 27, 37, 47, 57, 67, 77	———	BLUE
8, 18, 28, 38, 48, 58, 68, 78	———	VIOLET
9, 19, 29, 39, 49, 59, 69, 79	———	GRAY
10, 20, 30, 40, 50, 60, 70, 80	———	WHITE

#2-56 JACKSCREW  
ALLEN HEAD  
CAPTURED  
2X

4. PERFORMANCE: MEETS OR EXCEEDS M32139 PERFORMANCE SPECIFICATIONS  
CURRENT RATING: 1 AMP MAX.  
DWV: 250 VAC  
INSULATION RESISTANCE: 5000 MΩ MIN. @ 100 VDC  
CONTACT RESISTANCE: 0.071 VOLT MAX. DROP @ 1.0 AMP (.071 Ω)  
W/6.0" OF WIRE LISTED BELOW, PER MIL-DTL-32139

3. MATERIALS:  
SHELL: 6061-T6 ALUMINUM PER AMS-QQ-A200/8, NICKEL PLATED PER AMS-2404  
INSULATOR: LCP (LIQUID CRYSTAL POLYMER) GLCP-30F, COLOR: BLACK  
PIN CONTACTS: BERYLLIUM COPPER PER ASTM B194, GOLD PLATED PER ASTM B488  
WIRES: 30 AWG PER SAE-AS22759/33, COLOR CODED PER MIL-DTL-681, SYSTEM 1,  
EXCEPT USING 10 SOLID REPEATING COLORS  
HARDWARE: PASSIVATED STAINLESS STEEL

2. MARKINGS: UMI, UMI P/N, DATE CODE, W/O NO. AS SPACE PERMITS OTHERWISE ON BAG AND TAG  
1. CONNECTOR ASSEMBLY IS IAW MIL-DTL-32139 WHERE APPLICABLE

NOTES: UNLESS OTHERWISE SPECIFIED

QUALITY SYMBOLS CRITICAL SPL/ MINOR SPL/ MAJOR KEY K	<b>UNLESS SPECIFIED:</b> ALL DIMENSIONS IN INCHES GENERAL TOLERANCES: 3 PLACE ±.005 2 PLACE ±.010 ANGULAR ±2° ALL EXTERNAL SPECIFICATIONS REFERENCED ON THIS DRAWING SHALL BE THE LATEST REVISION IN EFFECT Ulti-Mate CAGE CODE <b>58967</b>	SCALE <b>4:1</b>	DWG SIZE <b>B</b>	THIRD ANGLE PROJECTION	<b>REVISE ON CAD ONLY</b>	
	DRAWN BY & DATE FA 05/17/2021	TITLE NANO DUAL ROW CONNECTOR MALE, SIZE 85, NML85-2P02-30Y6-18.0-S01		MATERIAL 		
	CHECKED BY & DATE SEE ECN	APPROVED BY & DATE SEE ECN	ENG PROJECT #			
	CAD FILENAME SD-833391222.slddrw	PART NO. 833391222	DRAWING NO. SD-833391222	SHEET NO. <b>1 OF 1</b>	THIS DRAWING CONTAINS INFORMATION THAT IS PROPRIETARY TO ULTI-MATE INCORPORATED AND SHOULD NOT BE USED WITHOUT WRITTEN PERMISSION.	