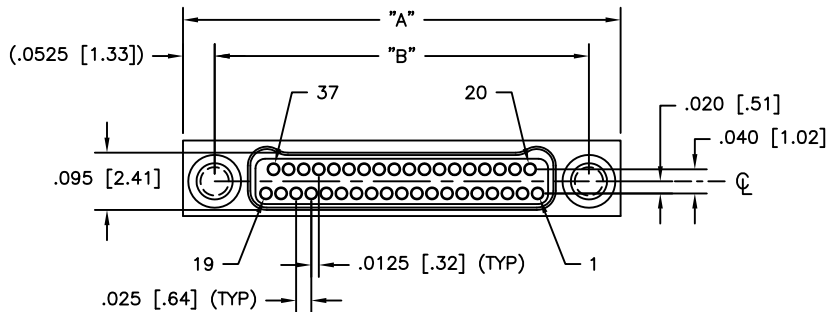
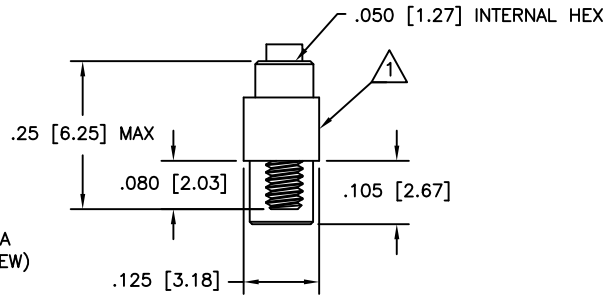
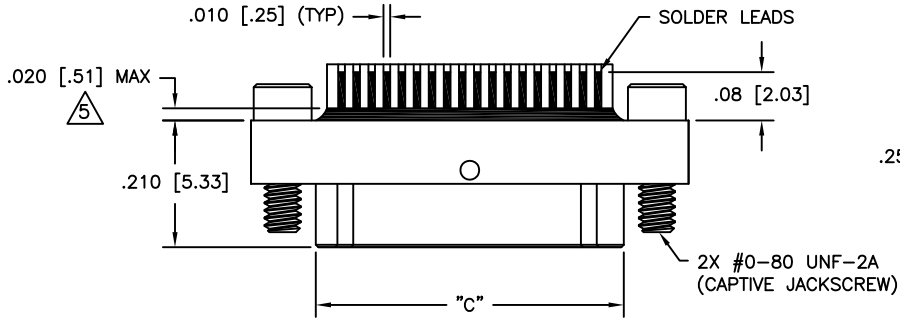


PART REV	DWG ISSUE	DATE	ECN NO.	APPVD BY	REL BY
-	-	02/24/16	UMI5893	T.POMBART	PER
A	A	07/07/22	UMI8066	CB	DW
B	B	07/26/22	UMI8091	CB	DW



PART NO.	SIZE	"A"	"B"	"C"
833311042	9	.375 [9.52]	.270 [6.86]	.160 [4.06]
833321042	15	.450 [11.43]	.345 [8.76]	.235 [5.97]
833331042	21	.525 [13.33]	.420 [10.67]	.310 [7.87]
833341042	25	.575 [14.60]	.470 [11.94]	.360 [9.14]
833351042	31	.650 [16.51]	.545 [13.84]	.435 [11.05]
833361042	37	.725 [18.41]	.620 [15.75]	.510 [12.95]
833371042	51	.900 [22.86]	.795 [20.19]	.685 [17.40]
833381042	65	1.075 [27.30]	.970 [24.64]	.860 [21.84]

△ A LINE OF EPOXY TO BE ADDED, AS SHOWN, ON BOTH SIDES

4. PERFORMANCE: MANUFACTURED TO THE FOLLOWING M32139 PERFORMANCE SPECIFICATIONS  
 CONTACT RATING: 1 AMPERE MAXIMUM AT AMBIENT TEMPERATURE  
 DWV: 250 VAC  
 INSULATION RESISTANCE: 5000 MEGOHMS MINIMUM @ 100 VDC  
 CONTACT RESISTANCE: 0.021 VOLT MAXIMUM DROP @ 1.0 AMPS (.021 OHMS)

3. INTERMATEABILITY: INTERFACE DIMENSIONS PER MIL-DTL-32139

△ MATERIALS: SHELL: ALUMINUM 6061-T6, ELECTROLESS NICKEL PLATED PER AMS2404  
 INSULATOR: LCP (LIQUID CRYSTAL POLYMER) GLCP-30F  
 CONTACT: BERYLLIUM COPPER PER ASTM B194, GOLD PLATED PER ASTM B488  
 LEADS: SN/PB PLATED  
 HARDWARE: 303 STAINLESS PER ASTM 582

△ MARKINGS: UMI, UMI P/N, DATE CODE & W/O NO. AS SPACE PERMITS OTHERWISE ON BAG OR TAG

NOTES: UNLESS OTHERWISE SPECIFIED

<b>QUALITY SYMBOLS</b> MAJOR = ▽ CRITICAL = ▽ SPC = ▽	UNLESS SPECIFIED: ALL DIMENSIONS IN INCHES GENERAL TOLERANCES: 3 PLACE ±.005 2 PLACE ±.010 ANGULAR ±2°	SCALE: 5:1 DWG SIZE: B DRAWN BY & DATE: UMI 03-09-10 CHECKED BY & DATE: SEE ECN APPROVED BY & DATE: SEE ECN CAD FILENAME: SD-833361042.DWG UMI-Mate CAGE CODE: 58967	THIRD ANGLE PROJECTION REVISE ON CAD ONLY TITLE: NANO-D DUAL ROW CONNECTOR MALE, SIZE XX, NMLXX-2N021-S01 MATERIAL: △ UMI-Mate Connector Inc.	PART NO. SEE "TAB BLOCK" DRAWING NO. SD-833361042 SHEET NO. 1 OF 1 PART REV B
	THIS DRAWING CONTAINS INFORMATION THAT IS PROPRIETARY TO ULTI-MATE INCORPORATED AND SHOULD NOT BE USED WITHOUT WRITTEN PERMISSION.			