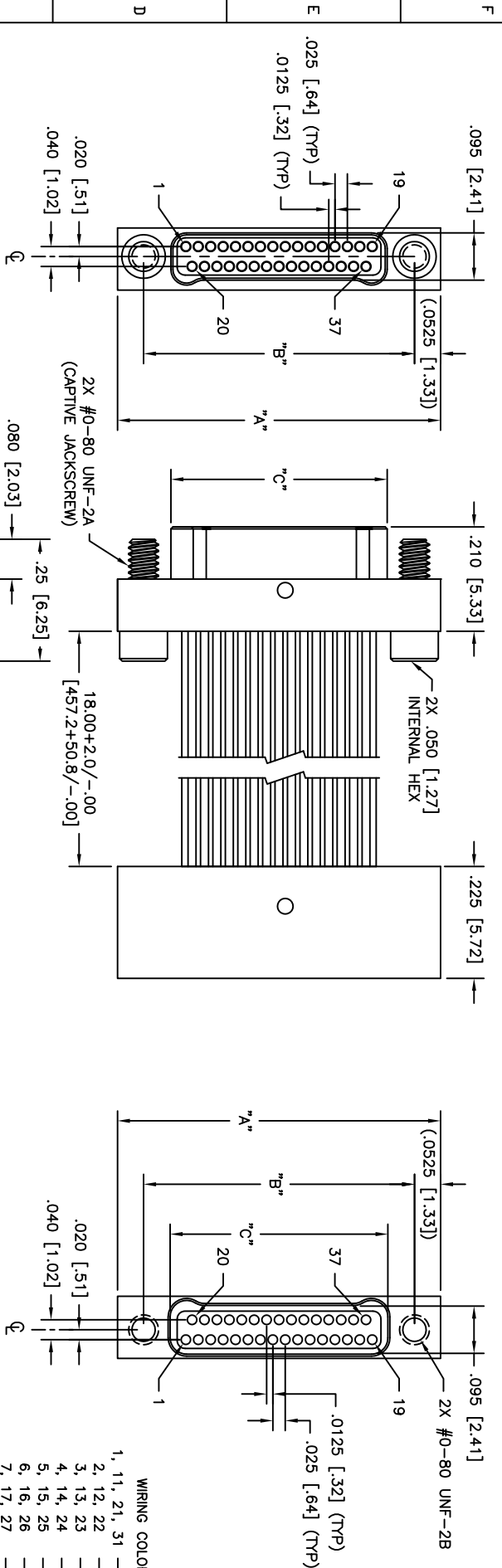


PART DWG	DATE	ECN NO.	APPD BY	REL BY
REV ISSUE	02/17/11	UM4305	T.POWERART	PER



WIRING COLOR CODE

1, 11, 21, 31	BLACK
2, 12, 22	BROWN
3, 13, 23	RED
4, 14, 24	ORANGE
5, 15, 25	YELLOW
6, 16, 26	GREEN
7, 17, 27	BLUE
8, 18, 28	VIOLET
9, 19, 29	GRAY
10, 20, 30	WHITE

PART NO.	SIZE	"A"	"B"	PLUG	"C"	RECEPTACLE
833011622	9	.375 [9.52]	.270 [6.86]	.160 [4.06]	.163 [4.14]	
833021622	15	.450 [11.43]	.345 [8.76]	.235 [5.97]	.238 [6.04]	
833031622	21	.525 [13.33]	.420 [10.67]	.310 [7.87]	.313 [7.95]	
833041622	25	.575 [14.60]	.470 [11.94]	.360 [9.14]	.363 [9.22]	
833051622	31	.650 [16.51]	.545 [13.84]	.435 [11.05]	.438 [11.12]	
833061622	37	.725 [18.41]	.620 [15.75]	.510 [12.95]	.513 [13.03]	
833071622	51	.900 [22.86]	.795 [20.19]	.685 [17.40]	.688 [17.47]	
833081622	65	1.075 [27.30]	.970 [24.64]	.860 [21.84]	.863 [21.92]	

1. MARKINGS: UMI, DATE CODE, UMI P/N AS SPACE PERMITS, OTHERWISE BAG OR TAG

NOTES: UNLESS OTHERWISE SPECIFIED

2. MATERIALS: SHELL: ALUMINUM 6061-T6, ELECTROLESS NICKEL PLATED PER AMS2404  
 INSULATOR: LCP (LIQUID CRYSTAL POLYMER) GLCP-30F  
 PIN CONTACT: BERYLLIUM COPPER PER ASTM B194, GOLD PLATED PER ASTM B488  
 SOCKET CONTACT: BRASS ALLOY 735, GOLD PLATED PER ASTM B488  
 LEADS: 30 AWG, NEMA HP3, TYPE ET, COLOR CODED PER MIL-DTL-681, SYSTEM 1,  
 EXCEPT USING 10 SOLID REPEATING COLORS  
 HARDWARE: 303 STAINLESS PER ASTM 582

3. PERFORMANCE: MEETS OR EXCEEDS M32139 PERFORMANCE SPECIFICATIONS  
 CONTACT RATING: 1 AMPERE MAXIMUM  
 DMV: 250 VAC  
 INSULATION RESISTANCE: 5000 MEGOHMS MINIMUM @ 100 VDC  
 CONTACT RESISTANCE: 0.071 VOLT MAXIMUM DROP @ 1.0 AMPS (.071 OHMS)  
 W/6.00" OF WIRE LISTED BELOW, PER MIL-DTL-32139

4. WIRE PIN 1 TO SOCKET 1, PIN 2 TO 2, 3 TO 3, ETC.

5. SCALE: 5:1

6. DRAWN BY & DATE: UMI 12-08-11

7. CHECKED BY & DATE: SEE ECN

8. APPROVED BY & DATE: SEE ECN

9. CAD FILENAME: SD-833061622.DWG

10. PART NO. SEE "TAB BLOCK"

11. DRAWING NO. SD-833061622

12. THIS DRAWING CONTAINS INFORMATION THAT IS PROPRIETARY TO ULTI-MATE INCORPORATED AND SHOULD NOT BE USED WITHOUT WRITTEN PERMISSION.

13. SHEET NO. 1 OF 1

14. REV