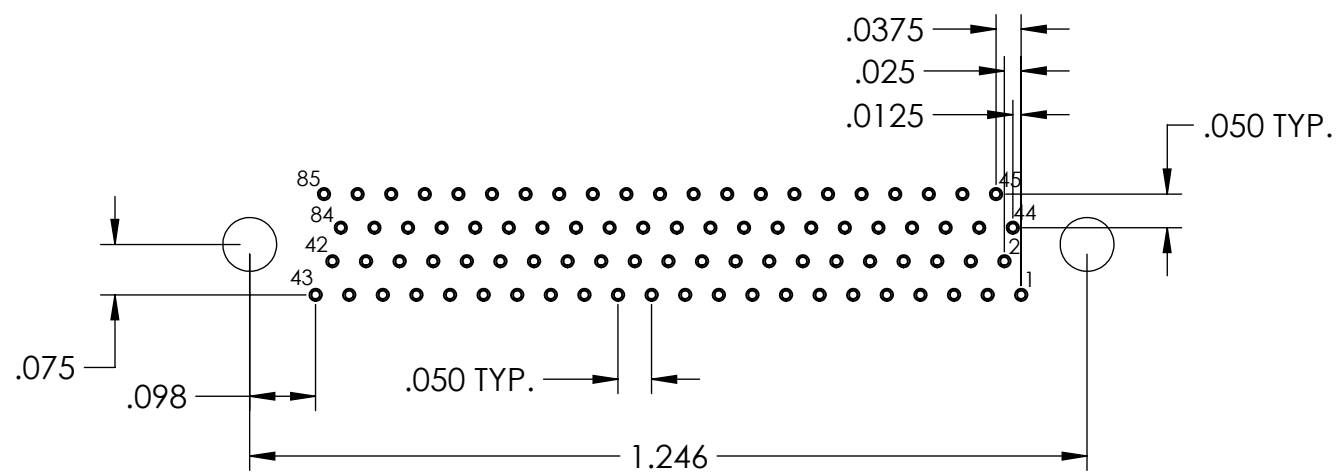
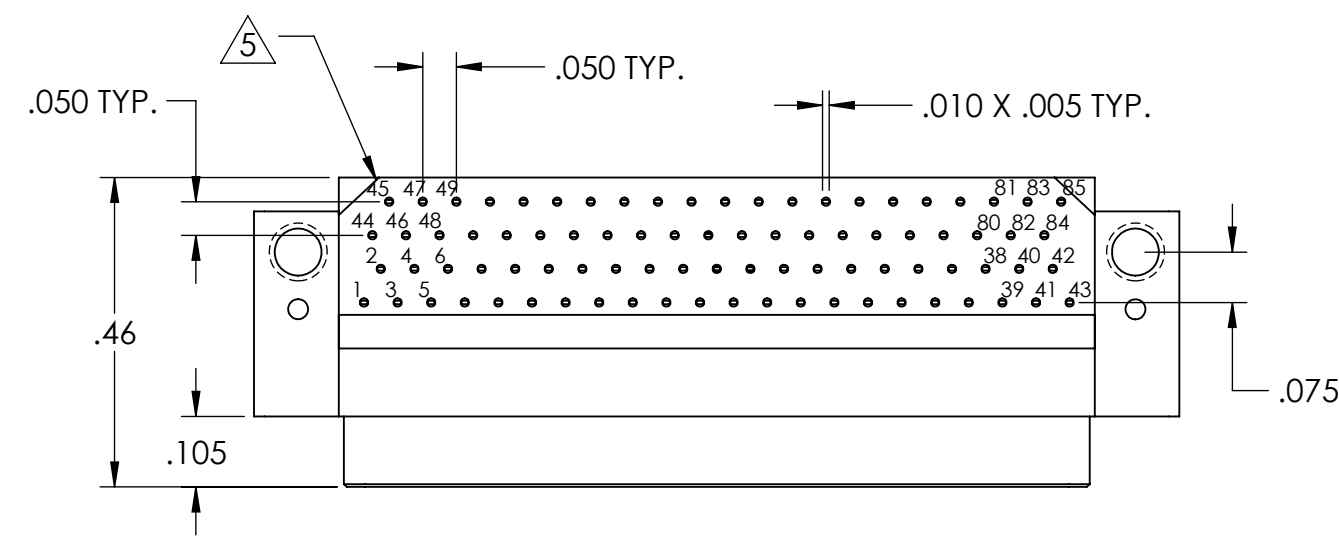
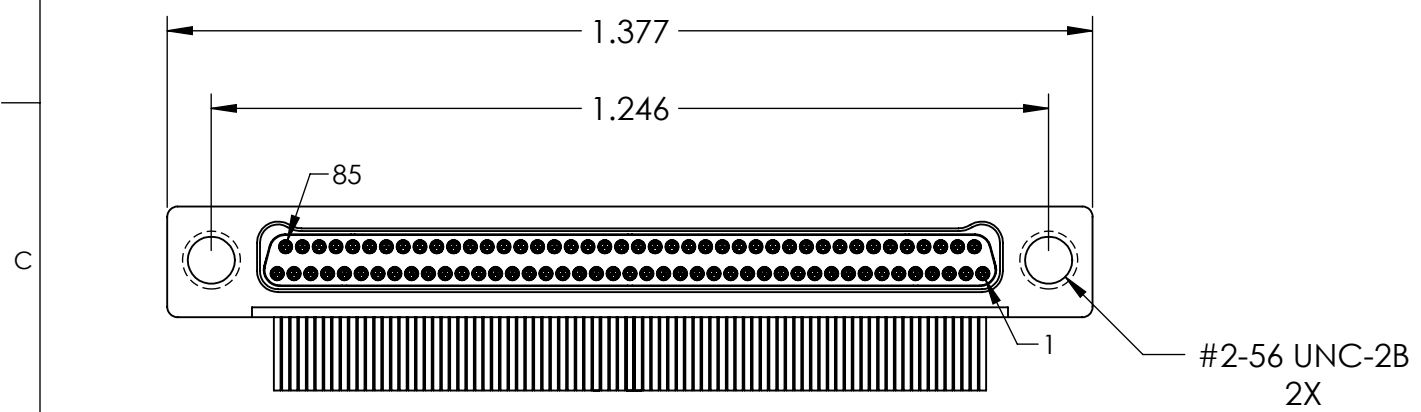
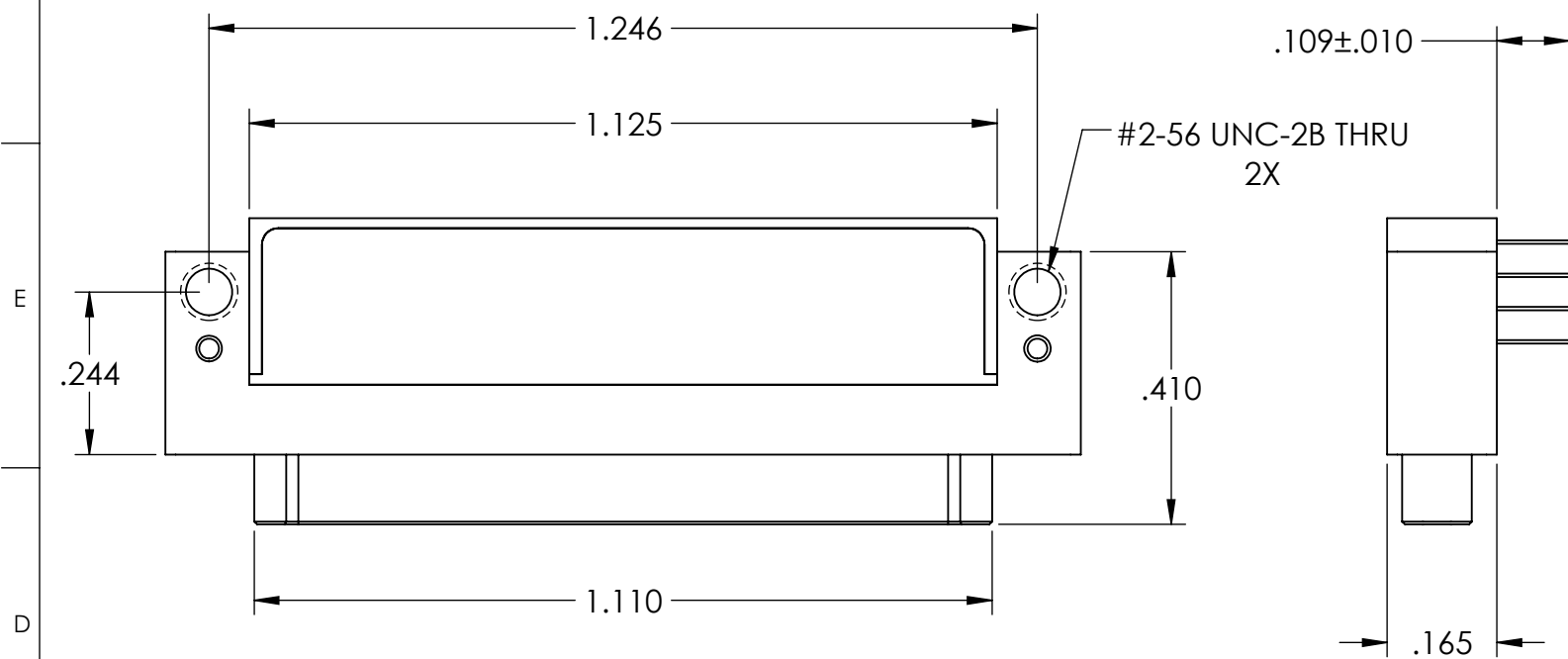


REVISIONS					
PART REV.	DWG. ISSUE	DATE	ECN NO.	APPVD. BY	REL. BY
-	-	05/24/2021	UMI7758	FA	DW



**RECOMMENDED PC BOARD LAYOUT
(COMPONENT SIDE)**

5. NUMBERS (LEAD LOCATIONS) ARE SHOWN FOR REFERENCE ONLY AND DO NOT APPEAR ON ACTUAL PARTS.

4. PERFORMANCE: MEETS OR EXCEEDS M32139 PERFORMANCE SPECIFICATIONS
 CURRENT RATING: 1 AMP MAX.
 DWV: 250 VAC
 INSULATION RESISTANCE: 5000 MΩ MIN. @ 100 VDC
 CONTACT RESISTANCE: 0.021 VOLT MAX. DROP @ 1.0 AMP (.021 Ω)

3. MATERIALS:
 SHELL: 6061-T6 ALUMINUM PER AMS-QQ-A200/8, NICKEL PLATED PER AMS-2404
 INSULATOR: LCP (LIQUID CRYSTAL POLYMER) GLCP-30F, COLOR: BLACK
 PIN CONTACTS: C17410 BERYLLIUM COPPER PER ASTM B768, GOLD PLATED PER ASTM B488
 LEADS: SN/PB PLATED

2. MARKINGS: UMI, UMI P/N, DATE CODE, W/O NO. AS SPACE PERMITS OTHERWISE ON BAG AND TAG
 1. CONNECTOR ASSEMBLY IS IAW MIL-DTL-32139 WHERE APPLICABLE

NOTES: UNLESS OTHERWISE SPECIFIED

QUALITY SYMBOLS CRITICAL SPL/ MINOR SPL/ MAJOR KEY	UNLESS SPECIFIED: ALL DIMENSIONS IN INCHES GENERAL TOLERANCES: 3 PLACE ±.005 2 PLACE ±.010 ANGULAR ±2°	SCALE 7:2	DWG SIZE B	THIRD ANGLE PROJECTION	REVISE ON CAD ONLY	
	ALL EXTERNAL SPECIFICATIONS REFERENCED ON THIS DRAWING SHALL BE THE LATEST REVISION IN EFFECT UMI-Mate CAGE CODE 58967	DRAWN BY & DATE FA 05/24/2021	TITLE NANO DUAL ROW CONNECTOR MALE, SIZE 85, CNM8L85-2P071-S01		MATERIAL 3	
		CHECKED BY & DATE SEE ECN	ENG PROJECT # UMI-Mate Connector Inc.		DRAWING NO. SD-832391817	
		APPROVED BY & DATE SEE ECN	CAD FILENAME SD-832391817.slddrw	PART NO. 832391817	SHEET NO. 1 OF 1	PART REV. -

THIS DRAWING CONTAINS INFORMATION THAT IS PROPRIETARY TO ULTI-MATE INCORPORATED AND SHOULD NOT BE USED WITHOUT WRITTEN PERMISSION.