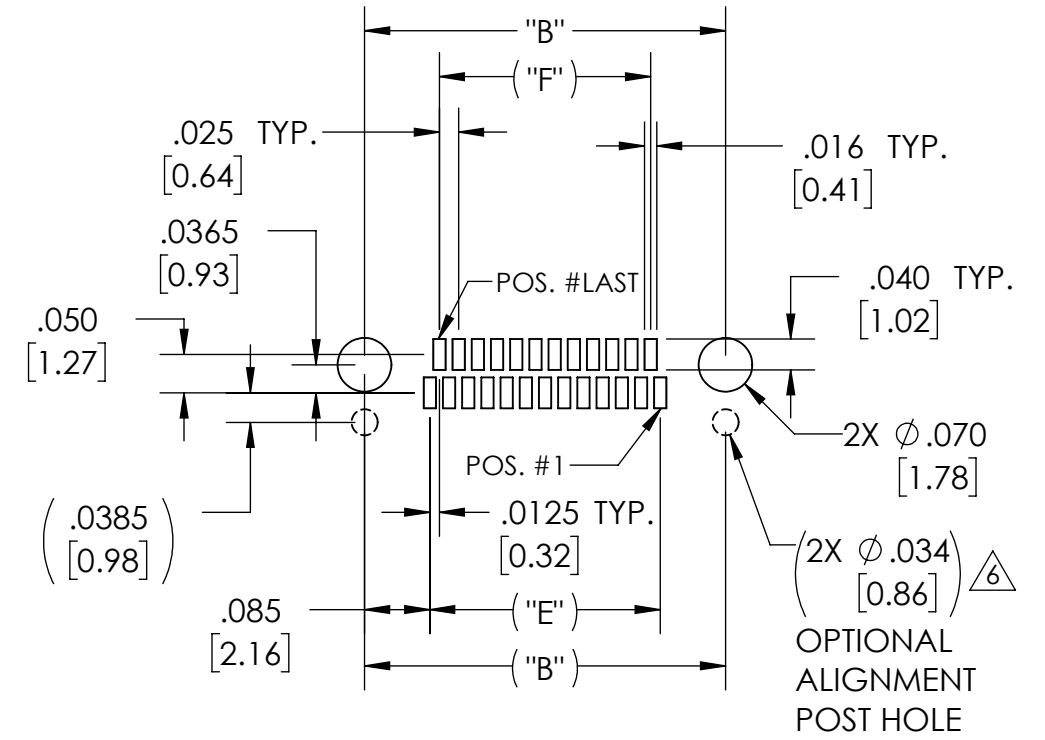
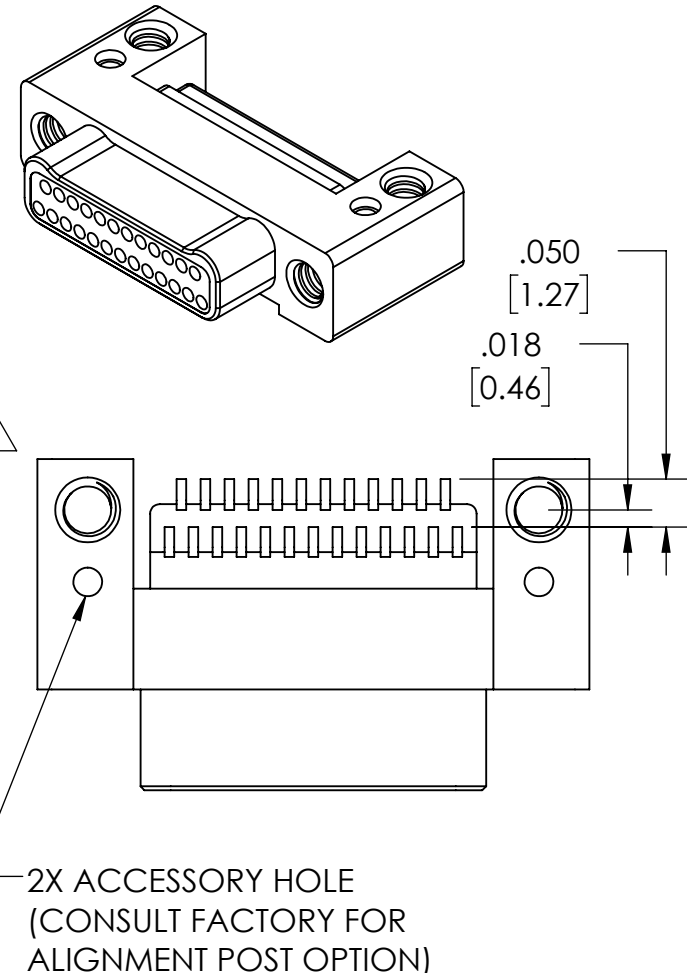
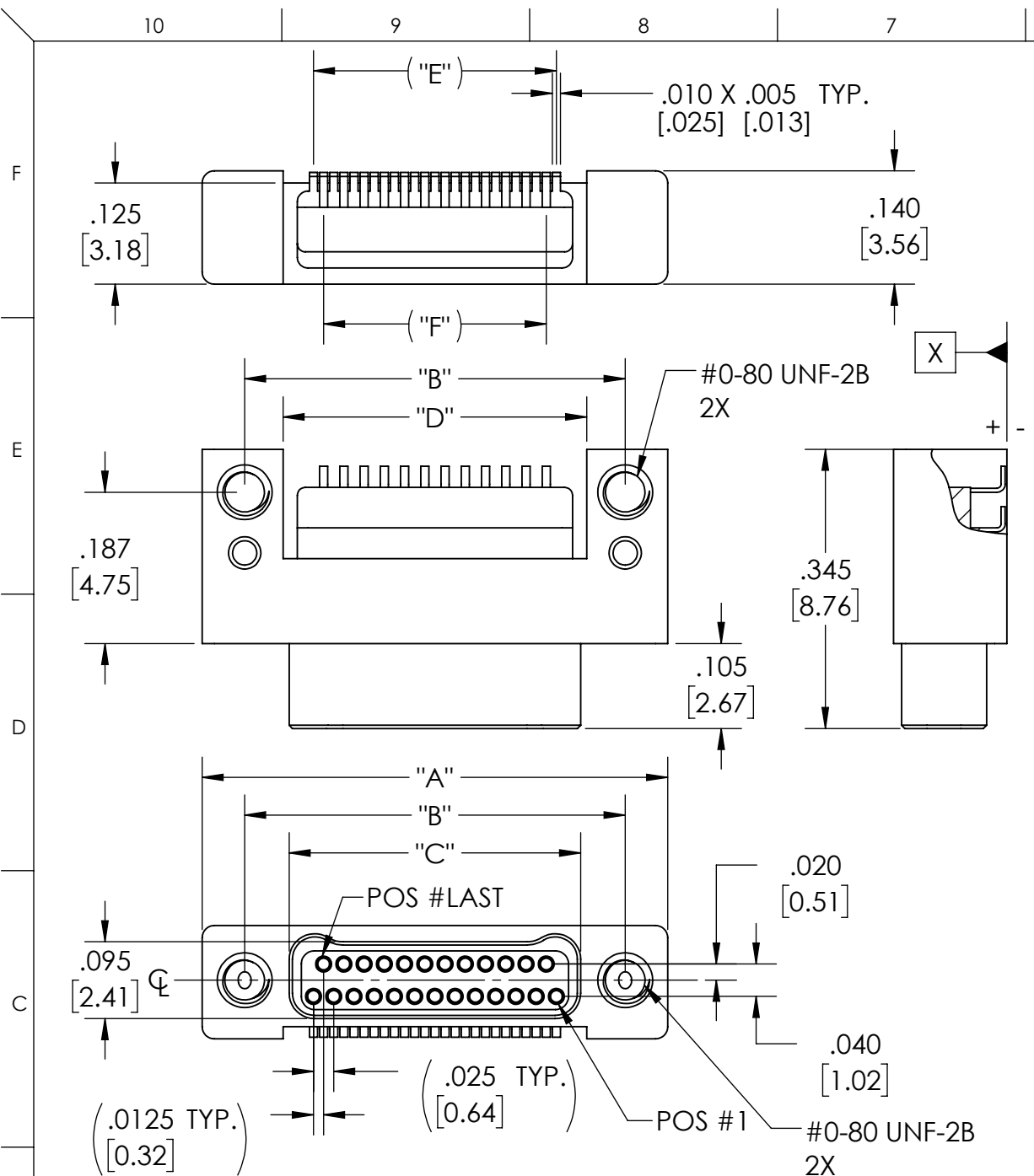


REVISIONS					
PART REV.	DWG. ISSUE	DATE	ECN NO.	APPVD. BY	REL. BY
D	E	10/19/2020	UMI7580	TP	PER
D	F	08/11/2022	UMI8112	PA	DW



PART NO.	SIZE	"A"	"B"	"C"	"D"	"E"	"F"
832311217	9	.375 [9.52]	.270 [6.86]	.160 [4.06]	.175 [4.44]	.100 [2.54]	.075 [1.90]
832321217	15	.450 [11.43]	.345 [8.76]	.235 [5.97]	.250 [6.35]	.175 [4.44]	.150 [3.81]
832331217	21	.525 [13.33]	.420 [10.67]	.310 [7.87]	.325 [8.25]	.250 [6.35]	.225 [5.71]
832341217	25	.575 [14.60]	.470 [11.94]	.360 [9.14]	.375 [9.52]	.300 [7.62]	.275 [6.98]
832351217	31	.650 [16.51]	.545 [13.84]	.435 [11.05]	.450 [11.43]	.375 [9.52]	.350 [8.89]
832361217	37	.725 [18.41]	.620 [15.75]	.510 [12.95]	.525 [13.33]	.450 [11.43]	.425 [10.79]
832371217	51	.900 [22.86]	.795 [20.19]	.685 [17.40]	.700 [17.78]	.625 [15.87]	.600 [15.24]
832381217	65	1.075 [27.30]	.970 [24.64]	.860 [21.84]	.875 [22.22]	.800 [20.32]	.775 [19.68]

- △ IF OPTIONAL ALIGNMENT POST IS USED, HOLE TO BE NON-PLATED AND OPTICALLY DRILLED
- △ LEAD TOLERANCE: LEADS TO BE CO-PLANAR WITHIN +.004/-0.001 FROM SURFACE [X]
- 4. PERFORMANCE: MEETS OR EXCEEDS M32139 PERFORMANCE SPECIFICATIONS  
CURRENT RATING: 1 AMP MAX.  
DWV: 250 VAC  
INSULATION RESISTANCE: 5000 MΩ MIN. @ 100 VDC  
CONTACT RESISTANCE: 0.021 VOLT MAX. DROP @ 1.0 AMP (.021 Ω)
- 3. INTERMATEABILITY: INTERFACE DIMENSIONS PER MIL-DTL-32139
- △ MATERIALS:  
SHELL: 6061-T6 ALUMINUM PER AMS-QQ-A200/8, NICKEL PLATED PER AMS2404  
INSULATOR: LCP (LIQUID CRYSTAL POLYMER) GLCP-30F, COLOR: BLACK  
CONTACTS: BERYLLIUM COPPER PER ASTM B194, GOLD PLATED PER ASTM B488  
LEADS: SN/PB PLATED
- 1. MARKINGS: UMI, UMI P/N, DATE CODE, W/O NO. AS SPACE PERMITS OTHERWISE ON BAG AND TAG

NOTES: UNLESS OTHERWISE SPECIFIED

QUALITY SYMBOLS SPECIAL REQ. KEY/CRITICAL KC NO SYMBOL = MINOR DIMENSION	<b>UNLESS SPECIFIED:</b> ALL DIMENSIONS IN INCHES GENERAL TOLERANCES: 3 PLACE ±.005 2 PLACE ±.010 ANGULAR ±2° ALL EXTERNAL SPECIFICATIONS REFERENCED ON THIS DRAWING SHALL BE THE LATEST REVISION IN EFFECT Uti-Mate CAGE CODE <b>58967</b>	SCALE <b>5:1</b>	DWG SIZE <b>B</b>	THIRD ANGLE PROJECTION	<b>REVISE ON CAD ONLY</b>
	DRAWN BY & DATE UMI 03/09/2010	TITLE NANO-D DUAL ROW CONNECTOR MALE, SIZE XX, CNM28LXX-2P071-S01		MATERIAL △	
	CHECKED BY & DATE SEE ECN	APPROVED BY & DATE SEE ECN		ENG PROJECT # N/A	SHEET NO. <b>1 OF 1</b>
	CAD FILENAME SD-832341217.SLDDRW	PART NO. SEE TABLE	DRAWING NO. SD-832341217	THIS DRAWING CONTAINS INFORMATION THAT IS PROPRIETARY TO ULTI-MATE INCORPORATED AND SHOULD NOT BE USED WITHOUT WRITTEN PERMISSION.	

