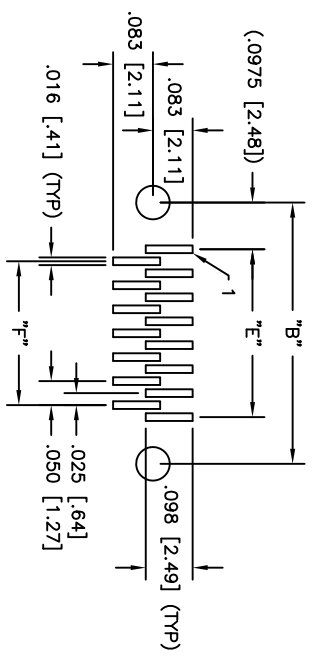
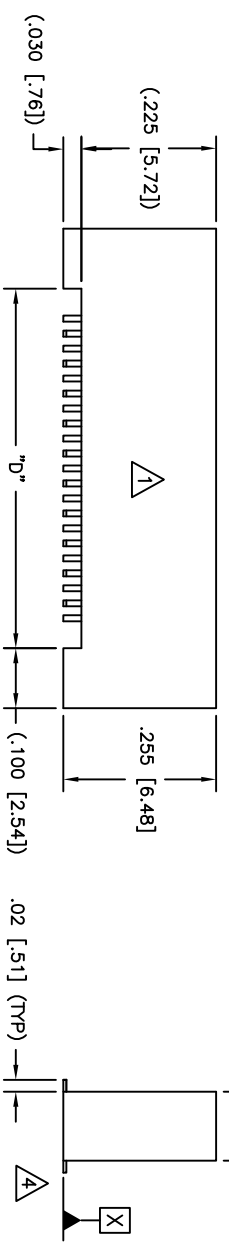
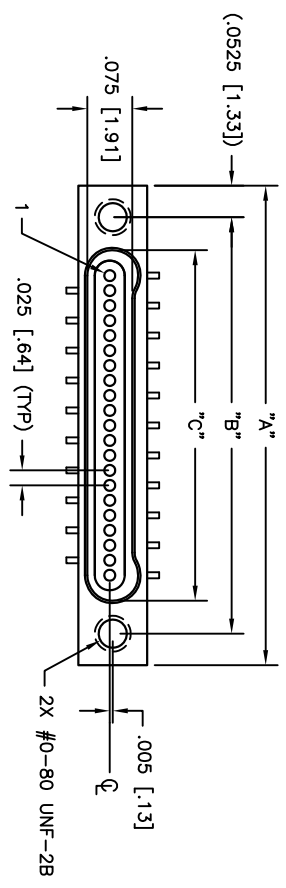
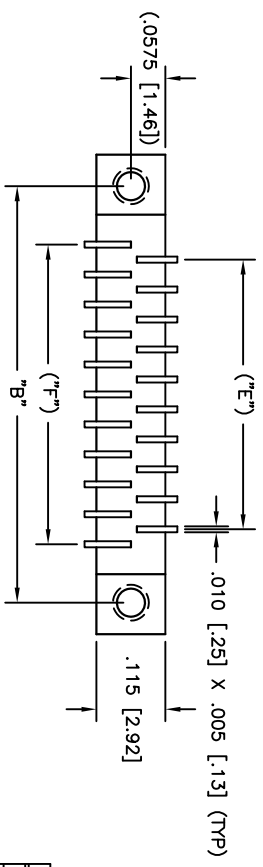


PART DWG	DATE	ECN NO.	APPD BY	REL BY
REV	ISSUE			
-	-			



RECOMMENDED PC BOARD LAYOUT
(COMPONENT SIDE)
SCALE 4:1



PART NO.	SIZE	"A"	"B"	"C"	"D"	"E"	"F"
83221317	9	.500 [12.70]	.395 [10.03]	.285 [7.24]	.300 [7.62]	.200 [5.08]	.150 [3.81]
83222317	15	.650 [16.51]	.545 [13.84]	.435 [11.05]	.450 [11.43]	.350 [8.89]	.300 [7.62]
832231317	21	.800 [20.32]	.695 [17.65]	.585 [14.86]	.600 [15.24]	.500 [12.70]	.450 [11.43]
832241317	25	.900 [22.86]	.795 [20.19]	.685 [17.40]	.700 [17.78]	.600 [15.24]	.550 [13.97]
832251317	31	1.050 [26.67]	.945 [24.00]	.835 [21.21]	.850 [21.59]	.750 [19.05]	.700 [17.78]
832261317	37	1.200 [30.48]	1.095 [27.81]	.985 [25.02]	1.000 [25.40]	.900 [22.86]	.850 [21.59]
832271317	51	1.550 [39.37]	1.445 [36.70]	1.335 [33.91]	1.350 [34.29]	1.250 [31.75]	1.200 [30.48]

- LEAD TOLERANCE: LOWEST PIN OF EITHER ROW TO BE WITHIN ±.004 FROM SURFACE "X"
CO-PLANARITY BETWEEN LEADS TO BE WITHIN .005 MAX
- PERFORMANCE: MEETS OR EXCEEDS M32139 PERFORMANCE SPECIFICATIONS
CONTRACT RATING: 1 AMPERE MAXIMUM
DMV: .250 VAC
INSULATION RESISTANCE: 5000 MEGOHMS MINIMUM @ 100 VDC
CONTACT RESISTANCE: 0.021 VOLT MAXIMUM DROP @ 1.0 AMPS (.021 OHMS)
- MATERIALS: SHELL: ALUMINUM 6061-T6, ELECTROLESS NICKEL PLATED PER AMS2404
INSULATOR: LCP (LIQUID CRYSTAL POLYMER) GLCP-30F
CONTACT: BERYLLIUM COPPER PER ASTM B194, GOLD PLATED PER ASTM B488
LEADS: SN/PB PLATED
- MARKINGS: UMI, UMI P/N, DATE CODE & W/O NO. AS SPACE PERMITS OTHERWISE ON BAG OR TAG
NOTES: UNLESS OTHERWISE SPECIFIED

QUALITY UNLESS SPECIFIED: ALL DIMENSIONS IN INCHES	SCALE DWG SIZE S:1 B	TITLE NANO-D SINGLE ROW CONNECTOR	REVISION ON CAD ONLY
MAJOR GENERAL TOLERANCES: 3 PLACE ±.005 2 PLACE ±.010 ANGULAR ±2°	DRAWN BY & DATE UMI 05-04-17	CAD FILENAME SD-832231317.DWG	PART NO. SD-832231317
CRITICAL	CHECKED BY & DATE	APPROVED BY & DATE	DRAWING NO. SD-832231317
SPC SYMBOLS =	THIS DRAWING CONTAINS INFORMATION THAT IS PROPRIETARY TO ULTI-MATE INCORPORATED AND SHOULD NOT BE USED WITHOUT WRITTEN PERMISSION.	MATERIAL FEMALE, SIZE XX, CNM26LXX-1S071-S01	SHEET NO. 1 OF 1
UTII-Mate CAGE CODE 58967			PART REV -