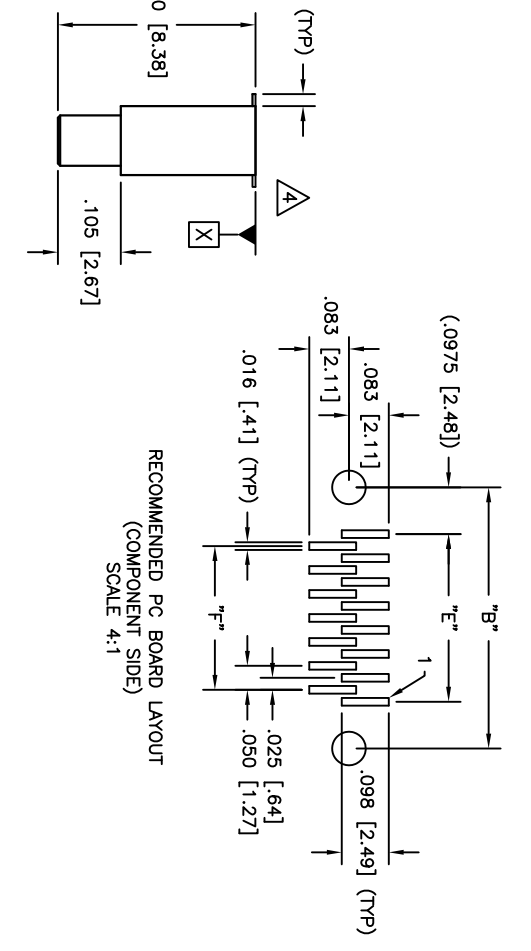
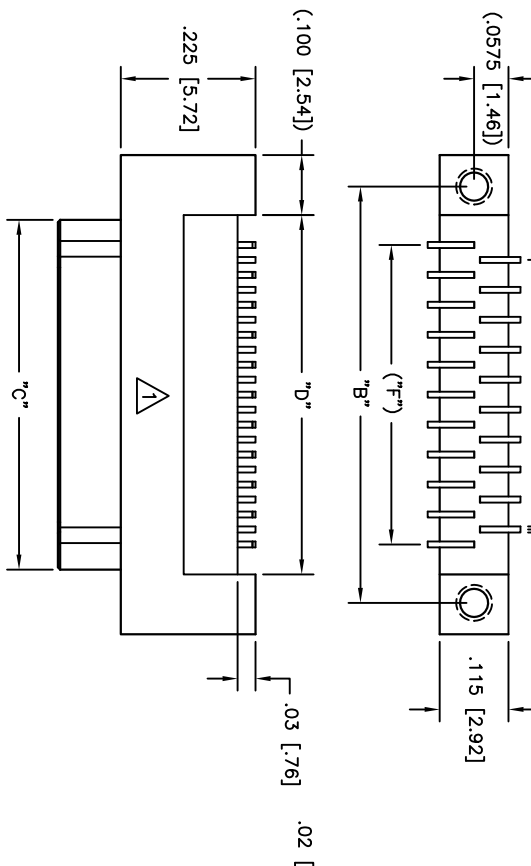
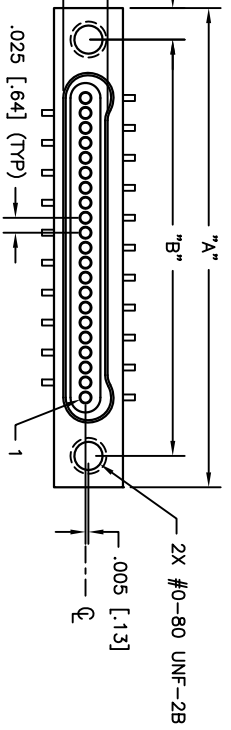


PART DWG	DATE	ECN NO.	APPD BY	REL BY
REV	ISSUE			



RECOMMENDED PC BOARD LAYOUT
(COMPONENT SIDE)
SCALE 4:1



PART NO.	SIZE	"A"	"B"	"C"	"D"	"E"	"F"
83211317	9	.500 [12.70]	.395 [10.03]	.284 [7.21]	.300 [7.62]	.200 [5.08]	.150 [3.81]
83212317	15	.650 [16.51]	.545 [13.84]	.434 [11.02]	.450 [11.43]	.350 [8.89]	.300 [7.62]
83213317	21	.800 [20.32]	.695 [17.65]	.584 [14.83]	.600 [15.24]	.500 [12.70]	.450 [11.43]
83214317	25	.900 [22.86]	.795 [20.19]	.684 [17.37]	.700 [17.78]	.600 [15.24]	.550 [13.97]
83215317	31	1.050 [26.67]	.945 [24.00]	.834 [21.18]	.850 [21.59]	.750 [19.05]	.700 [17.78]
83216317	37	1.200 [30.48]	1.095 [27.81]	.984 [24.99]	1.000 [25.40]	.900 [22.86]	.850 [21.59]
83217317	51	1.550 [39.37]	1.445 [36.70]	1.334 [33.88]	1.350 [34.29]	1.250 [31.75]	1.200 [30.48]

4. LEAD TOLERANCE: LOWEST LEAD TO BE CO-PLANAR WITHIN +.001/- .003 FROM SURFACE
"X" THEN ALL LEADS TO BE WITHIN +.005 FROM LOWEST LEAD

3. PERFORMANCE: MEETS OR EXCEEDS M32139 PERFORMANCE SPECIFICATIONS
CONTRACT RATING: 1 AMPERE MAXIMUM
DMV: 250 VAC
INSULATION RESISTANCE: 5000 MEGOHMS MINIMUM @ 100 VDC
CONTACT RESISTANCE: 0.021 VOLT MAXIMUM DROP @ 1.0 AMPS (.021 OHMS)

2. MATERIALS: SHELL: ALUMINIUM 6061-T6, ELECTROLESS NICKEL PLATED PER AMS2404
INSULATOR: LCP (LIQUID CRYSTAL POLYMER) GLCP-30F
CONTACT: BERYLLIUM COPPER PER ASTM B194, GOLD PLATED PER ASTM B488
LEADS: SN/PB PLATED

1. MARKINGS: UMI, UMI P/N, DATE CODE & W/O NO. AS SPACE PERMITS OTHERWISE ON BAG OR TAG
NOTES: UNLESS OTHERWISE SPECIFIED

QUALITY SYMBOLS	UNLESS SPECIFIED, ALL DIMENSIONS IN INCHES	SCALE	DWG SIZE	THIRD ANGLE PROJECTION	REVISE ON CAD ONLY
HAZARD =	GENERAL TOLERANCES:	5:1	B		
CRITICAL C =	3 PLACE ±.005	DRAWN BY & DATE		TITLE	NANO-D SINGLE ROW CONNECTOR
SPC S =	2 PLACE ±.010	UMI	05-04-17	CHECKED BY & DATE	MALE, SIZE XX, CMM26LXX-1P071-S01
	ANGULAR ±2°	APPROVED BY & DATE		MATERIAL	
		CAD FILENAME		PART NO.	
		SD-832131317.DWG		SEE "TAB BLOCK"	SD-832131317
		Uti+MATE CASE CODE		DRAWING NO.	
		58967			
				SHEET NO.	1 OF 1
				PART REV	