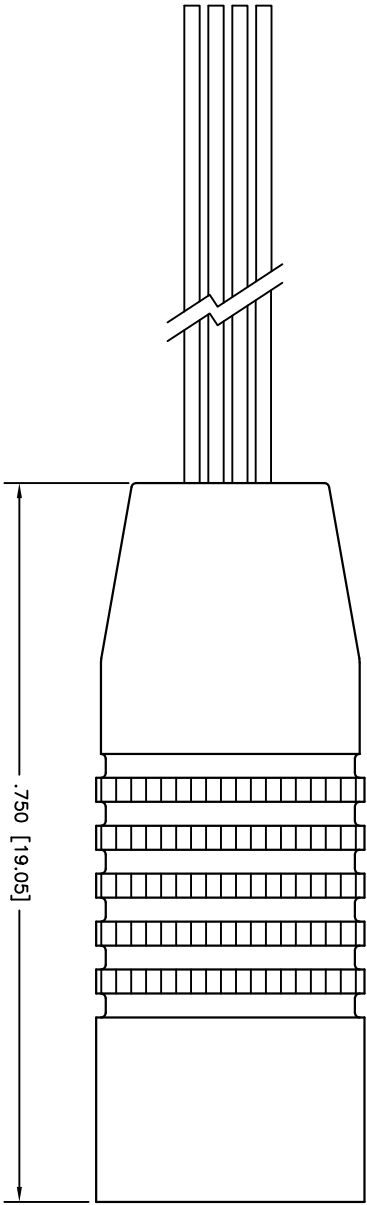
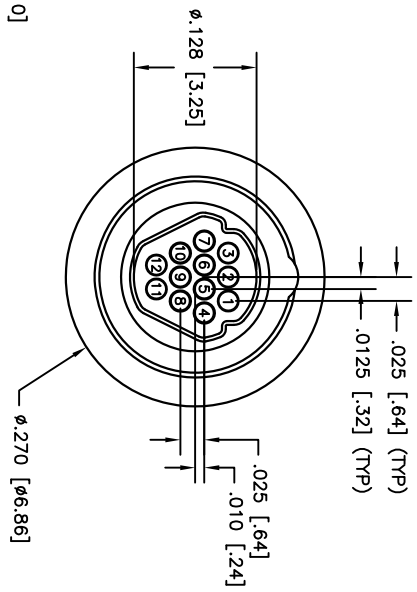
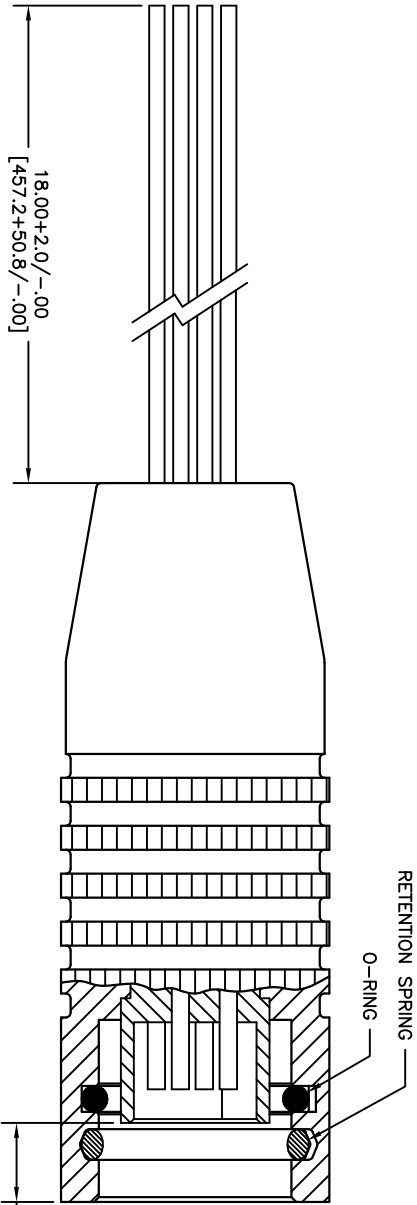


PART DWG REV ISSUE	DATE	ECN NO.	APPRD BY	REL BY
-	04/14/16	UMIS944	TPOWBART	PER



- WIRING COLOR CODE
- 1, 11 — BLACK
 - 2, 12 — BROWN
 - 3 — RED
 - 4 — ORANGE
 - 5 — YELLOW
 - 6 — GREEN
 - 7 — BLUE
 - 8 — VIOLET
 - 9 — GRAY
 - 10 — WHITE



3. PERFORMANCE: MEETS OR EXCEEDS M32139 PERFORMANCE SPECIFICATIONS

- CONTACT RATING: 1 AMPERE MAXIMUM
- DMV: 250 VAC
- INSULATION RESISTANCE: 5000 MEGOHMS MINIMUM @ 100 VDC
- CONTACT RESISTANCE: 0.080 VOLT MAXIMUM DROP @ 1.0 AMPS (.080 OHMS)
- W/6.00" OF WIRE LISTED BELOW, PER MIL-DTL-32139

- MATERIALS:** SHELL: ALUMINUM 6061-T6, ELECTROLESS NICKEL PLATED PER AMS 2404
 INSULATOR: LCP (LIQUID CRYSTAL POLYMER) GLCP-30F
 CONTACT: BRASS ALLOY 260, GOLD PLATED PER ASTM B488
 LEADS: 30 AWG, NEMA HP3, TYPE ET, COLOR CODED PER MIL-DTL-681, SYSTEM 1,
 EXCEPT USING 10 SOLID REPEATING COLORS

- 1. MARKINGS:** UMI, UMI P/N, DATE CODE & W/O NO. ON BAG OR TAG
NOTES: UNLESS OTHERWISE SPECIFIED

QUALITY SYMBOLS	UNLESS SPECIFIED, ALL DIMENSIONS IN INCHES	SCALE	DWG SIZE	THIRD ANGLE PROJECTION	REVISE ON CAD ONLY
HAZAR =	GENERAL TOLERANCES: 3 PLACE ±.005 2 PLACE ±.010 ANGULAR ±2°	4:1	B	⊙	
CRITICAL C/ =		DRAWN BY & DATE	PER 04-11-16	TITLE:	CIRCULAR, BREAK AWAY, NANO, SIZE 12
SPC S =		CHECKED BY & DATE	SEE ECN	MATERIAL:	RNB0-12S-30F6-18.0 S01
		SEE ECN	SEE ECN		
		CAD FILENAME	SD-822164120.DWG	PART NO.	822164120
		UT++-MATE CASE CODE	58967	DRAWING NO.	SD-822164120
		THIS DRAWING CONTAINS INFORMATION THAT IS PROPRIETARY TO ULTI-MATE INCORPORATED AND SHOULD NOT BE USED WITHOUT WRITTEN PERMISSION.		SHEET NO.	1 OF 1
				REV	-