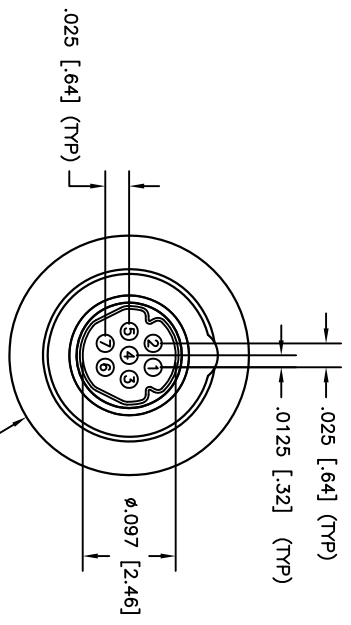
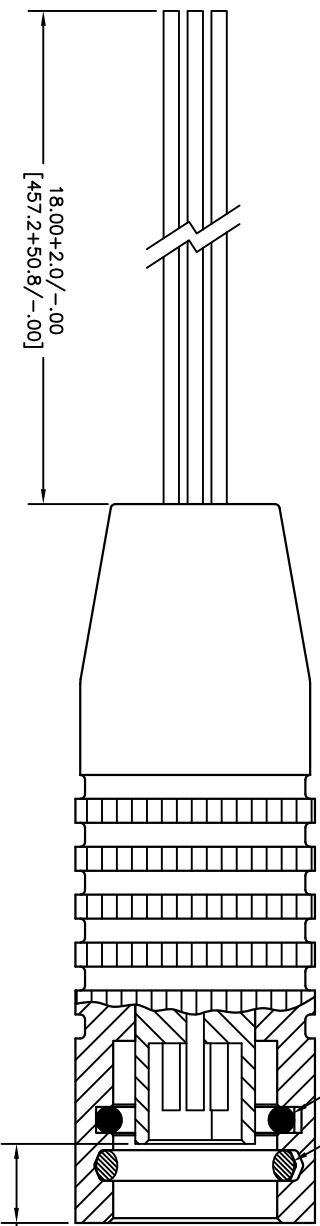
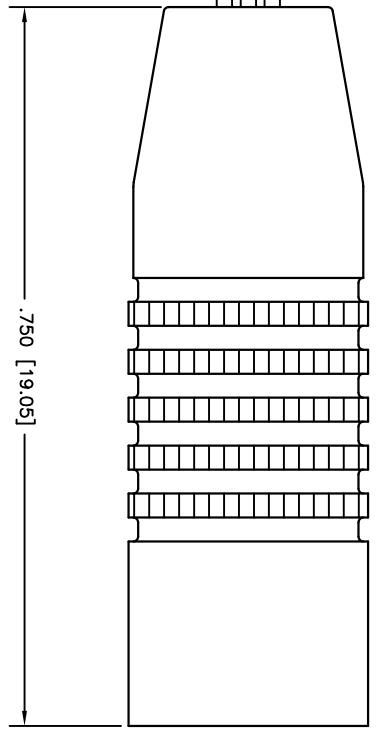


PART DWG	DATE	ECN NO.	APP'D BY	REL BY
REV	ISSUE	UMIS944	TPOWBART	PER
-	04/14/16			

- WIRING COLOR CODE
- 1 — BLACK
 - 2 — BROWN
 - 3 — RED
 - 4 — ORANGE
 - 5 — YELLOW
 - 6 — GREEN
 - 7 — BLUE



3. PERFORMANCE: MEETS OR EXCEEDS M32139 PERFORMANCE SPECIFICATIONS
 CONTACT RATING: 1 AMPERE MAXIMUM
 DWV: 250 VAC
 INSULATION RESISTANCE: 5000 MEGOHMS MINIMUM @ 100 VDC
 CONTACT RESISTANCE: 0.080 VOLT MAXIMUM DROP @ 1.0 AMPS (.080 OHMS)
 CONTACT RESISTANCE: 0.080 VOLT MAXIMUM DROP @ 1.0 AMPS (.080 OHMS)
 W/6.00" OF WIRE LISTED BELOW, PER MIL-DTL-32139

2. MATERIALS: SHELL: ALUMINUM 6061-T6, ELECTROLESS NICKEL PLATED PER AMS 2404
 INSULATOR: LCP (LIQUID CRYSTAL POLYMER) GLCP-30F
 CONTACT: BRASS ALLOY 260, GOLD PLATED PER ASTM B488
 LEADS: 30 AWG, NEMA HP3, TYPE ET, COLOR CODED PER MIL-DTL-681, SYSTEM 1

1. MARKINGS: UMI, UMI P/N, DATE CODE & W/O NO. ON BAG OR TAG
 NOTES: UNLESS OTHERWISE SPECIFIED

QUALITY SYMBOLS	UNLESS SPECIFIED, ALL DIMENSIONS IN INCHES	SCALE	DWG SIZE	THIRD ANGLE PROJECTION	REVISE ON CAD ONLY
MAJOR =	GENERAL TOLERANCES:	4:1	B		
CRITICAL C/ =	3 PLACE ±.005	DRAWN BY & DATE	PER 04-11-16	TITLE	CIRCULAR, BREAK AWAY, NANO, SIZE 7
SPC S/ =	2 PLACE ±.010	CHECKED BY & DATE	SEE ECN	MATERIAL	RNB0-07S-30F6-18.0 S01
	ANGULAR ±2°	SEE ECN	SEE ECN		
		CAD FILENAME	SD-822134120.DWG	PART NO.	822134120
		UTII-MATE CASE CODE	58967	DRAWING NO.	SD-822134120
		THIS DRAWING CONTAINS INFORMATION THAT IS PROPRIETARY TO ULTI-MATE INCORPORATED AND SHOULD NOT BE USED WITHOUT WRITTEN PERMISSION.			
				SHEET NO.	1 OF 1
				REV	-