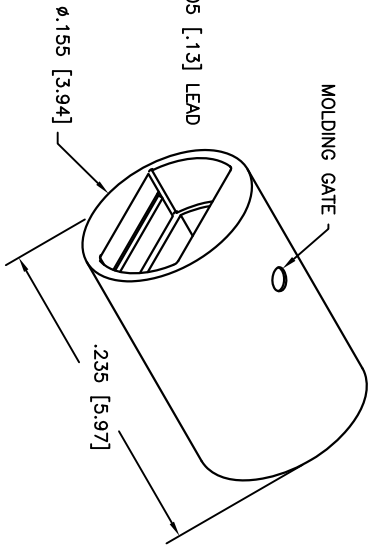
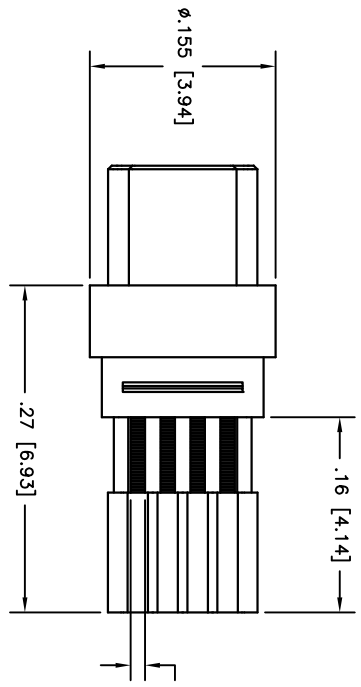
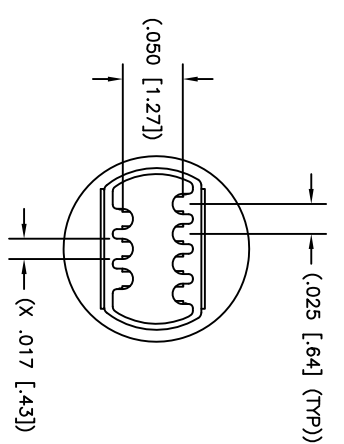
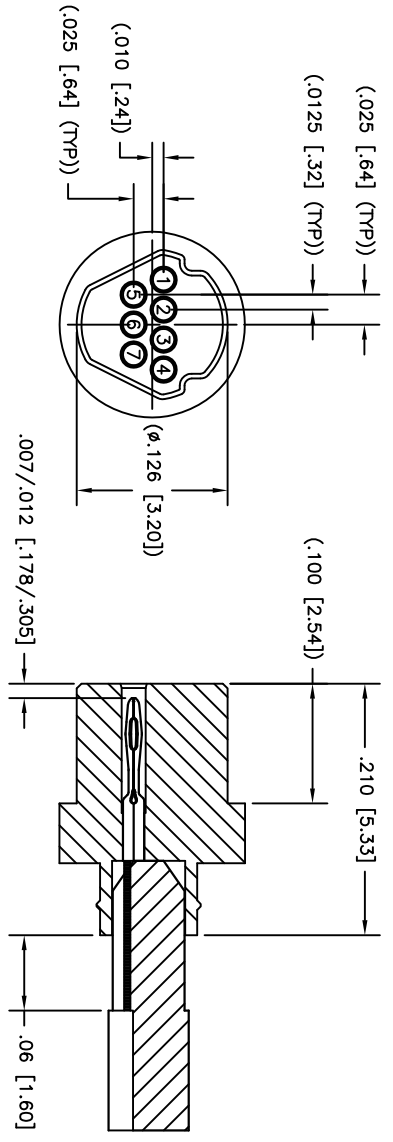


PART DWG	DATE	ECN NO.	APPD BY	REL BY
REV ISSUE				
-	08/28/19	UMI7255	T-POWBART	PER



SUPPLY WITH 830109144
QTY: 1



3. PERFORMANCE: MEETS OR EXCEEDS M32139 PERFORMANCE SPECIFICATIONS
CONTACT RATING: 1 AMPERE MAXIMUM
INSULATION RESISTANCE: 5000 MEGOHMS MINIMUM @ 100 VDC
DMV: 250 VAC
CONTACT RESISTANCE: 0.021 VOLT MAXIMUM DROP @ 1.0 AMPS (.021 OHMS)

MATERIALS: INSULATOR & LEAD ORGANIZER: LCP (LIQUID CRYSTAL POLYMER) GLCP-30F, NATURAL
CONTACTS: BERYLLIUM COPPER PER ASTM B194, GOLD PLATED PER ASTM B488
LEADS: Sn/Pb PLATED

1. MARKINGS: UMI, UMI P/N, DATE CODE & W/O NO. ON BAG OR TAG
NOTES: UNLESS OTHERWISE SPECIFIED

QUALITY SYMBOLS	UNLESS SPECIFIED, ALL DIMENSIONS IN INCHES	SCALE	DWG SIZE	THIRD ANGLE PROJECTION	REVISE ON CAD ONLY
MAJOR =	GENERAL TOLERANCES:	10:1	B		
CRITICAL =	3 PLACE ±.005	DRAWN BY & DATE			
C =	2 PLACE ±.010	PER 05-17-11			
S =	ANGULAR ±2°	CHECKED BY & DATE			
		SEE ECN			
		APPROVED BY & DATE			
		SEE ECN			
SPC	Uti+MATE CASE CODE	CAD FILENAME	PART NO.	DRAWING NO.	SHEET NO.
	58967	SD-821090000.DWG	821090000	SD-821090000	1 OF 1
		THIS DRAWING CONTAINS INFORMATION THAT IS PROPRIETARY TO UTI+MATE INCORPORATED AND SHOULD NOT BE USED WITHOUT WRITTEN PERMISSION.			

TITLE: NANO CIRCULAR CONNECTOR, SIZE 7
PLUG, RNP0P-07N-1
Uti+MATE Connector Inc.