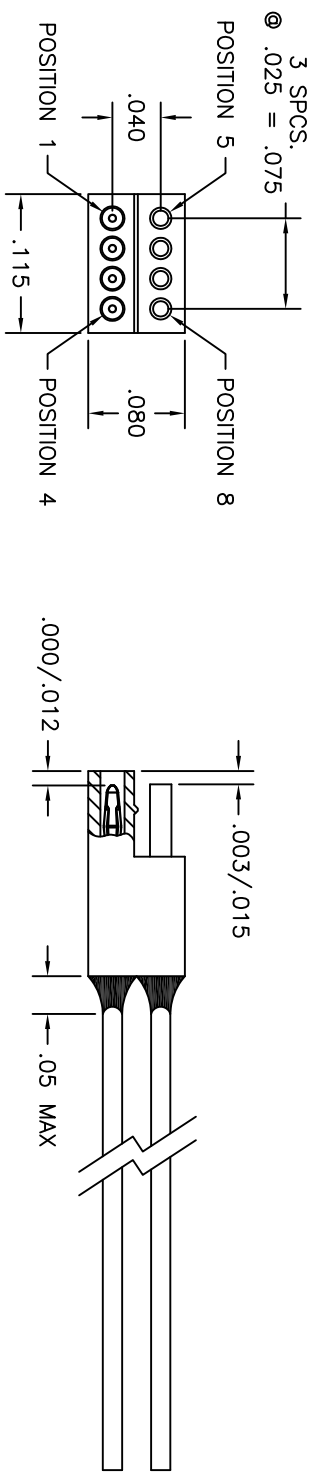
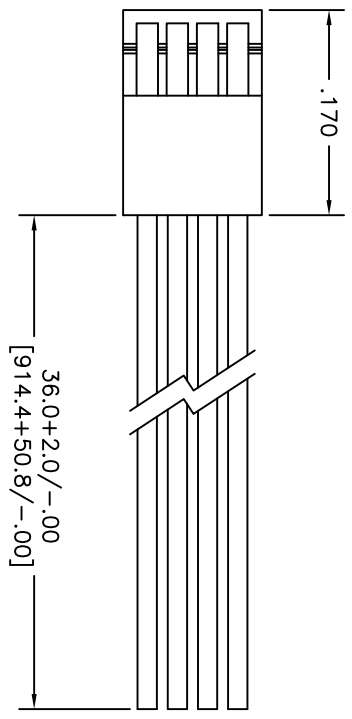


WIRING COLOR CODE

- 1 — BLACK
- 2 — BROWN
- 3 — RED
- 4 — ORANGE
- 5 — YELLOW
- 6 — GREEN
- 7 — BLUE
- 8 — VIOLET



3. PERFORMANCE: MANUFACTURED TO MEET THE FOLLOWING M32139 PERFORMANCE SPECIFICATIONS
 CONTACT RATING: 1 AMPERE MAXIMUM
 DWV: 250 VAC
 INSULATION RESISTANCE: 5000 MEGOHMS MINIMUM @ 100 VDC
 CONTACT RESISTANCE: 0.071 VOLT MAXIMUM DROP @ 1.0 AMPS (.071 OHMS)
 W/6.00" OF WIRE LISTED BELOW, PER MIL-DTL-32139

MATERIALS: INSULATOR: PPS (POLYPHENYLENE SULFIDE) GST-40F
 PIN CONTACTS: BERYLLIUM COPPER PER ASTM B194, GOLD PLATED PER ASTM B488
 SOCKET CONTACTS: BRASS ALLOY 210, GOLD PLATED PER ASTM B488
 LEADS: 30 AWG, NEMA HP3, TYPE ET, COLOR CODED PER MIL-DTL-6811, SYSTEM 1
 EPOXY: 200° CELSIUS

1. MARKINGS: UMI, DATE CODE, UMI P/N ON BAG ON TAG, AS SPACE PERMITS
NOTES: UNLESS OTHERWISE SPECIFIED

PART DWG	DATE	ECN NO.	APP'D BY	REL BY
REV	ISSUE			
—	05/03/18	UMI6760	T.POMBART	PER

QUALITY SYMBOLS	UNLESS SPECIFIED, ALL DIMENSIONS IN INCHES	SCALE	DWG SIZE	THIRD ANGLE PROJECTION	REVISE ON CAD ONLY
MAJOR =	GENERAL TOLERANCES:	10:1	B		
MINOR =	3 PLACE ±.005	DRAWN BY & DATE	05-03-18		
CRITICAL =	2 PLACE ±.010	CHECKED BY & DATE			
OTHER =	ANGULAR ±2°	SEE ECN			
SFC =	UT1-Mate CAGE CODE 58967	APPROVED BY & DATE			
		SEE ECN			
		CAD FILENAME	PART NO.	DRAWING NO.	SHEET NO.
		SD-437087903.DWG	437087903	SD-437087903	1 OF 1
		THIS DRAWING CONTAINS INFORMATION THAT IS PROPRIETARY TO UTI-MATE INCORPORATED AND SHOULD NOT BE USED WITHOUT WRITTEN PERMISSION.			
					PART REV