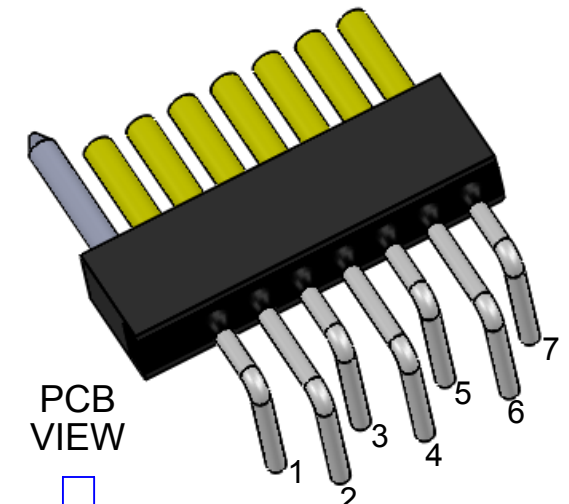
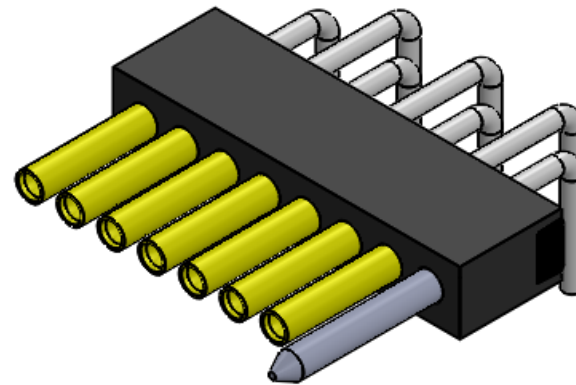
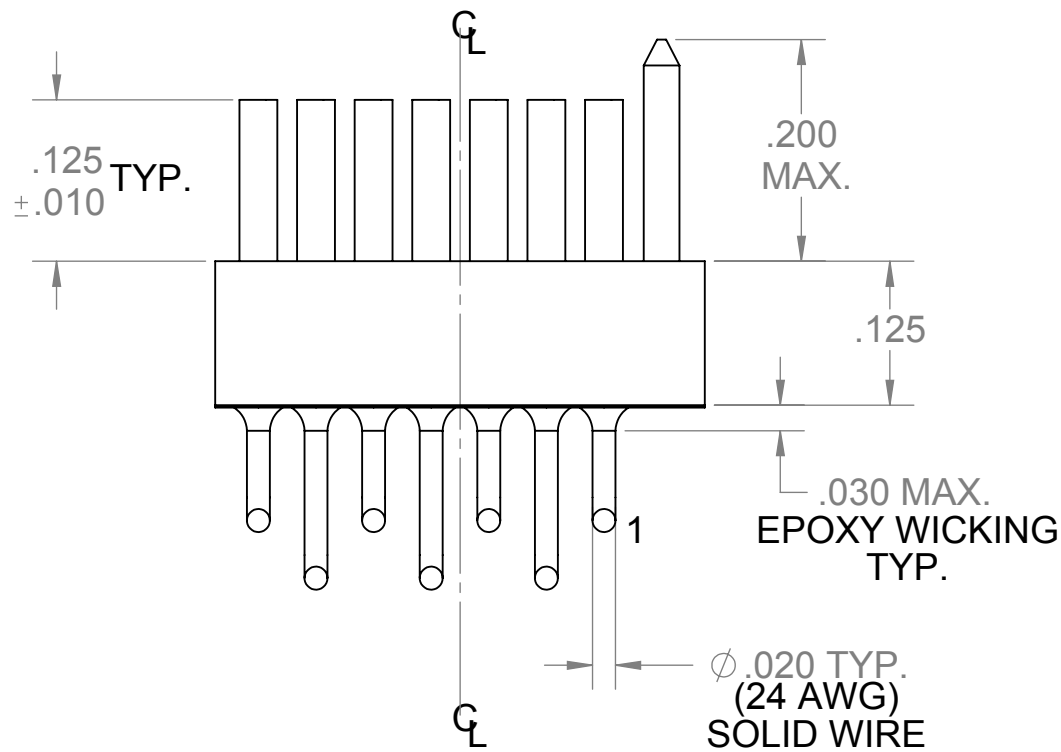
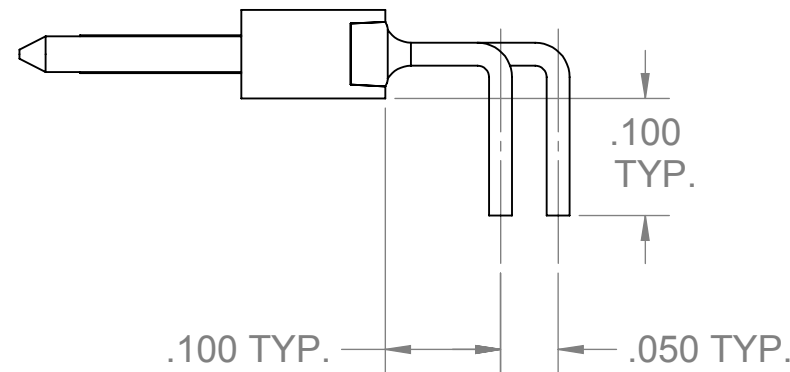
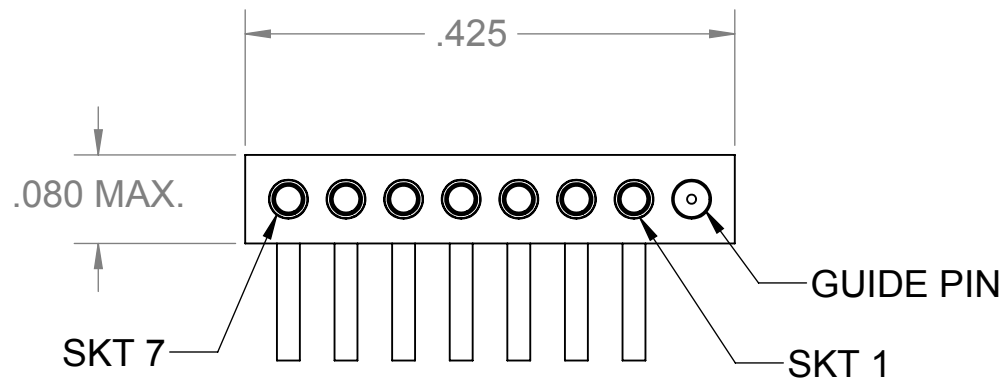


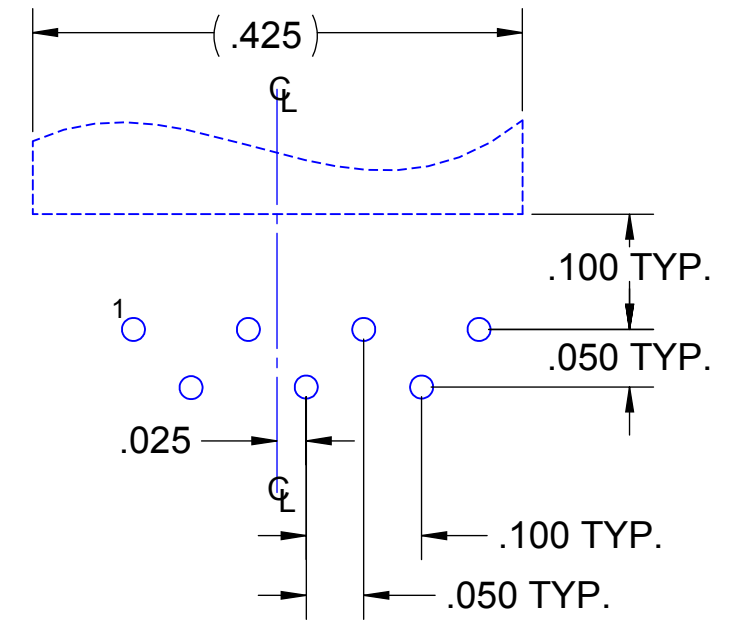
								<b>SD-437072081</b>	
<b>PART REV</b>	<b>DWG ISSUE</b>	<b>DATE</b>	<b>ECN NO.</b>		<b>APPVD BY</b>	<b>REL BY</b>			
-	-	2/25/13	UMI 4886		DW	DW			



PCB VIEW



**RECOMMENDED PCB LAYOUT**



3. PERFORMANCE SPECIFICATIONS:  
 CURRENT RATING: 3 AMPS MAX.  
 DWV: 600 VAC  
 TEMPERATURE RATING: 200° C  
 CONTACT RESISTANCE: 8 MILLIOHMS MAX. AT 2.5 AMPS

2. MATERIALS:  
 STRIP INSULATOR: PPS PER MIL-M-24519 GST-40F, COLOR: BLACK  
 SOCKET CONTACTS: C21000 BRASS ALLOY PER ASTM B36, GOLD PLATED PER ASTM B488  
 24 AWG LEADS: TIN PLATED COPPER ALLOY PER A-A-59551, TYPE S  
 GUIDE PIN: PASSIVATED STAINLESS STEEL

1. MARKING: "UMI", DATE CODE, UMI PART NUMBER, (AS SPACE PERMITS).

**NOTES: UNLESS OTHERWISE SPECIFIED.**

QUALITY SYMBOLS	UNLESS OTHERWISE SPECIFIED: ALL DIMENSIONS ARE IN INCHES	SCALE <b>6:1</b>	DWG SIZE <b>B</b>	THIRD ANGLE PROJECTION	<b>REVISE ON CAD ONLY</b>	
MAJOR ▲ =	GENERAL TOLERANCES:  3 PLACES ±.005 2 PLACES ±.01 ANGULAR ±2°	DRAWN BY & DATE <b>DU 2/22/13</b>		TITLE: <b>MICRO STRIP CONNECTOR, SR07S1-L01-HT, HIGH TEMP</b>		
CRITICAL ▼ C =		CHECKED BY & DATE <b>DW 2/22/13</b>		MATERIAL: <b>2</b>		
SPC ▼ S =		APPROVED BY & DATE <b>DW 2/22/13</b>		PART NO. <b>437072081</b>		
ULTI-MATE CAGE CODE <b>58967</b>		DRAWING NO. <b>SD-437072081</b>		SHEET NO. <b>1 of 1</b>		PART REV. -
THIS DRAWING CONTAINS INFORMATION THAT IS PROPRIETARY TO ULTI-MATE INCORPORATED AND SHOULD NOT BE USED WITHOUT WRITTEN PERMISSION.						

