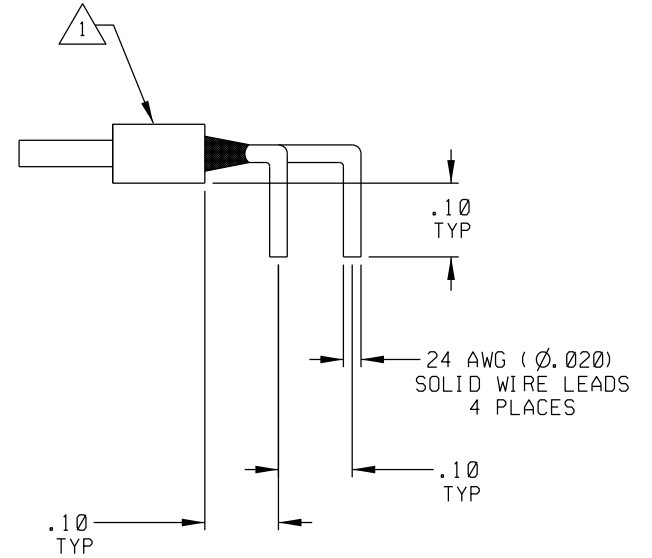
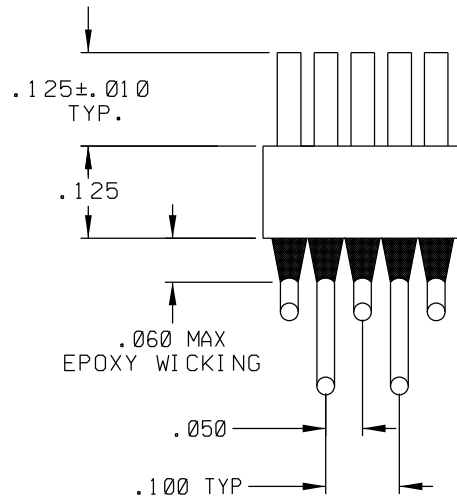
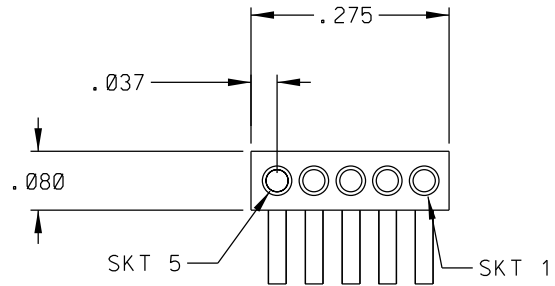


PART REV	DWG ISSUE	DATE	ECN NO.	APPVD BY	REL BY
-	-	7-7-14	UMI 5361	DW	DW



3. PERFORMANCE SPECIFICATIONS:
 CURRENT RATING: 3 AMPS MAX AT AMBIENT TEMPERATURE
 DWV: 300 VAC
 INSULATION RESISTANCE: 5000 MEGOHMS MINIMUM
 TEMPERATURE RATING: 200° C
- 2 MATERIALS:
 INSULATOR: PPS PER MIL-M-24519 GST-40F
 SOCKET CONTACT: C21000 COPPER ALLOY PER ASTM B36,
 GOLD PLATED PER ASTM B488
 24 AWG LEADS: TIN PLATED COPPER ALLOY PER A-A-59551 TYPE S
- 1 MARKING: UMI DATE CODE

NOTES: UNLESS OTHERWISE SPECIFIED.

QUALITY SYMBOLS	UNLESS SPECIFIED: ALL DIMENSIONS IN INCHES	SCALE 6 : 1	DWG SIZE B	THIRD ANGLE PROJECTION	REVISE ON CAD ONLY
CRITICAL	GENERAL TOLERANCES: 3 PLACE ±.005 2 PLACE ±.01 ANGULAR ±2°	DRAWN BY & DATE DW 7-7-14	CHECKED BY & DATE SEE ECN	TITLE: STRIP CONNECTOR, 5 POSITION FEMALE, HIGH TEMP, SR05S0-L02-HT	
SPECIAL	ALL EXTERNAL SPECIFICATIONS REFERENCED ON THIS DRAWING SHALL BE TO THE LATEST REVISION IN EFFECT	APPROVED BY & DATE SEE ECN	CAD FILENAME SD-437052050.DGN	MATERIAL: 2	Uti-Mate Connector Inc.
KEY	Uti-Mate CAGE CODE 58967	PART NO. 437052050	DRAWING NO. SD-437052050	SHEET NO. 1 OF 1	PART REV -
	THIS DRAWING CONTAINS INFORMATION THAT IS PROPRIETARY TO ULTI-MATE INCORPORATED AND SHOULD NOT BE USED WITHOUT WRITTEN PERMISSION.				