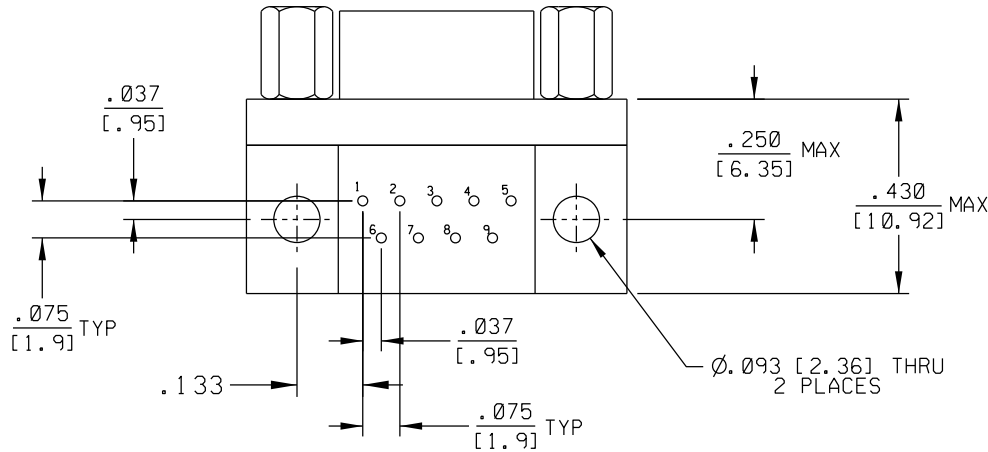
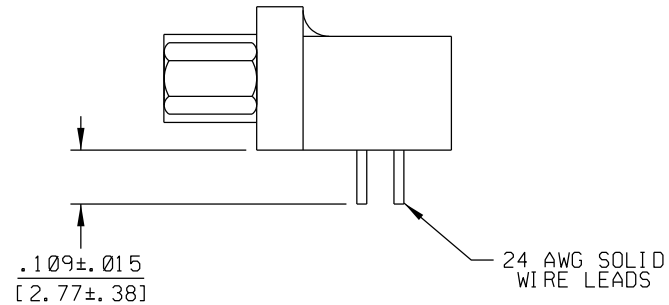
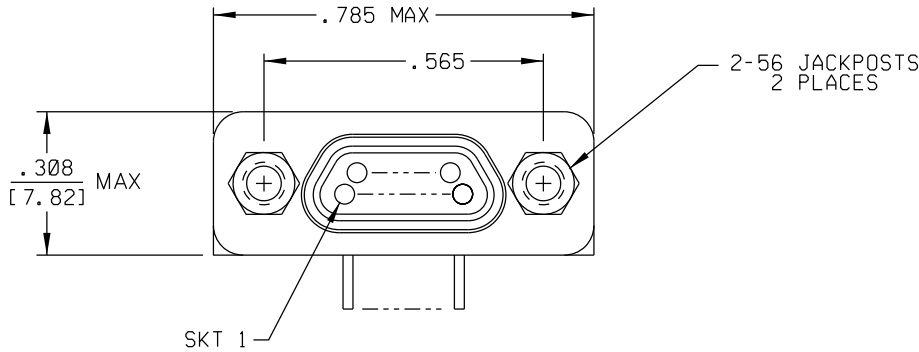


PART REV	DWG ISSUE	DATE	ECN NO.	APPVD BY	REL BY
-	-	8-13-12	UMI 4681	DW	DW
A	A	9-7-12	UMI 4704	DW	DW



- 4. TEMPERATURE RATING: 200°C
- 3. PERFORMANCE: MEETS OR EXCEEDS THE REQUIREMENTS OF MIL-DTL-83513

2 MATERIALS:
 SHELL: 6061-T6 ALUMINUM PER AMS-QQ-A200/8, NICKEL PLATED PER AMS 2404
 INSULATOR AND BACKSHELL: PPS PER MIL-M-24519 GST-40F, COLOR: BLACK
 SOCKET CONTACTS: C21000 BRASS ALLOY PER ASTM B36,
 GOLD PLATED PER AMS 2404
 24 AWG LEADS: TIN PLATED COPPER ALLOY PER A-A-59551 TYPE S
 HARDWARE: PASSIVATED STAINLESS STEEL IAW MIL-DTL-83513
 INTERFACIAL SEAL: FLUOROSILICONE PER MIL-R-25988

- 1. MARKING: "UMI", DATE CODE, AND UMI PART NUMBER

NOTES: UNLESS OTHERWISE SPECIFIED

QUALITY SYMBOLS MAJOR CRITICAL SPC	UNLESS SPECIFIED: ALL DIMENSIONS IN INCHES/MM	SCALE NONE	DWG SIZE B	THIRD ANGLE PROJECTION	REVISE ON CAD ONLY
	GENERAL TOLERANCES: 3 PLACE ±.002/.051 2 PLACE ±.005/.13 ANGULAR ±2°	DRAWN BY & DATE DW 8-13-12	CHECKED BY & DATE SEE ECN	TITLE: CIRCUIT CONNECTOR, RECEPT., STYLE 9 (.075 X .075), SIZE 9, CM9R09S07-S01	
	Ulti-Mate CAGE CODE 58967	APPROVED BY & DATE SEE ECN	CAD FILENAME SD-436211317.DGN	MATERIAL: 2	Ulti-Mate Connector Inc.
			PART NO. 436211317	DRAWING NO. SD-436211317	SHEET NO. 1 OF 1 PART REV A

THIS DRAWING CONTAINS INFORMATION THAT IS PROPRIETARY TO ULTI-MATE INCORPORATED AND SHOULD NOT BE USED WITHOUT WRITTEN PERMISSION.