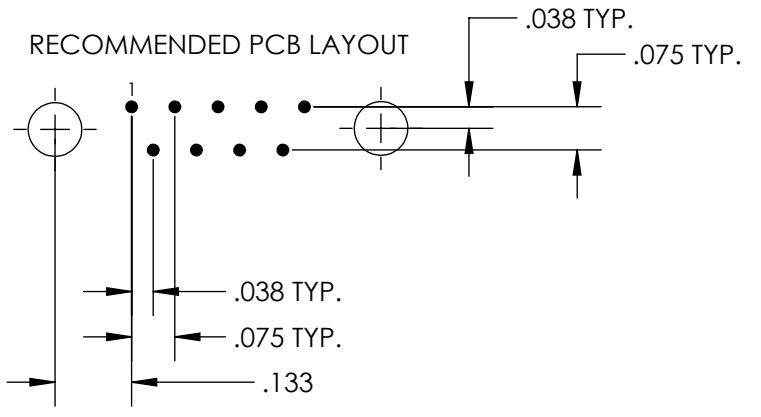
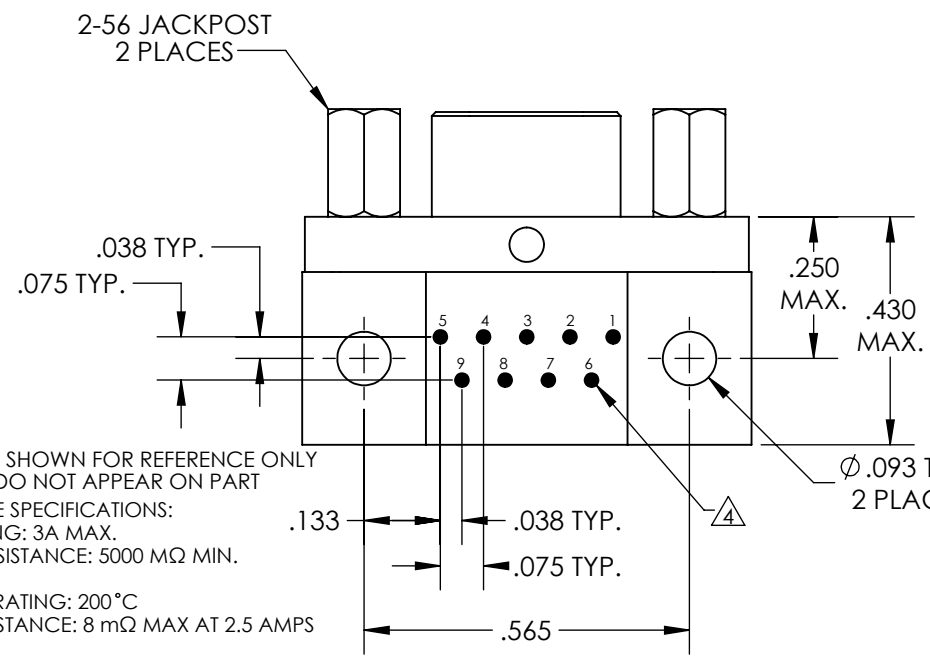
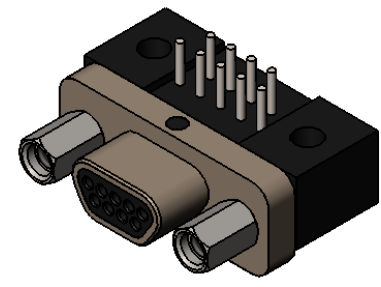
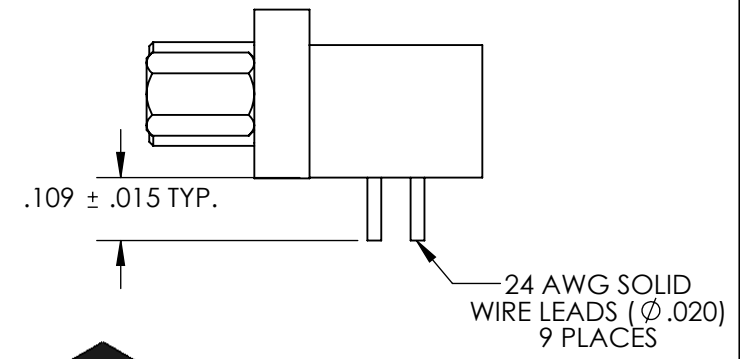
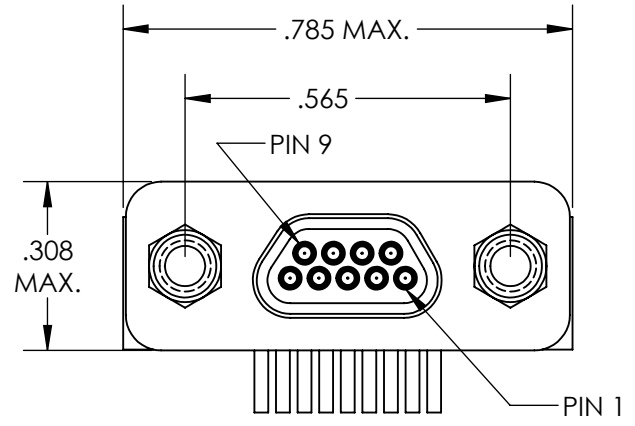


REVISIONS			
DWG. ISSUE	PART REV.	ECN NO.	DATE
-	-	UMI4737	10/03/2012
-	-		



⚠ NUMBERS ARE SHOWN FOR REFERENCE ONLY AND DO NOT APPEAR ON PART

3. PERFORMANCE SPECIFICATIONS:
 CURRENT RATING: 3A MAX.
 INSULATION RESISTANCE: 5000 MΩ MIN.
 DWV: 600 VAC
 TEMPERATURE RATING: 200°C
 CONTACT RESISTANCE: 8 mΩ MAX AT 2.5 AMPS

⚠ MATERIALS:
 SHELL: 6061-T6 ALUMINUM PER AMS-QQ-A200/8, NICKEL PLATED PER AMS 2404
 INSULATOR AND BACKSHELL: PPS PER MIL-M-24519 GST-40F, COLOR: BLK
 PIN CONTACTS: C17200 BERYLLIUM COPPER PER ASTM B194, GOLD PLATED PER ASTM B488
 24 AWG LEADS: TIN PLATED COPPER ALLOY PER A-A-59551 TYPE S
 HARDWARE: PASSIVATED STAINLESS STEEL IAW MIL-DTL-83513/5
 1. MARKINGS: UMI, UMI PART NO., AND DATE CODE

NOTES: UNLESS OTHERWISE SPECIFIED

QUALITY SYMBOLS MAJOR CRITICAL SPC	UNLESS SPECIFIED: ALL DIMENSIONS IN INCHES GENERAL TOLERANCES: 3 PLACE ±.005 2 PLACE ±.01 ANGULAR ±2°
	DO NOT SCALE THIRD ANGLE PROJECTION UMI-Mate CAGE CODE 58967

WWW.UMI-C.COM
 THIS DRAWING CONTAINS INFORMATION THAT IS PROPRIETARY TO ULTI-MATE INCORPORATED AND SHOULD NOT BE USED WITHOUT WRITTEN PERMISSION.

TITLE: CIRCUIT CONNECTOR, PLUG, SIZE 9 CM9R09P07-S01-HT		
DRAWN BY & DATE: J.BUZOIANU 10/03/2012	SCALE: 3:1	SHEET: 1 OF 1
MATERIAL: ⚠	CAD FILENAME: SD-436111317.slddrw	PART NO. 436111317
REV.		-