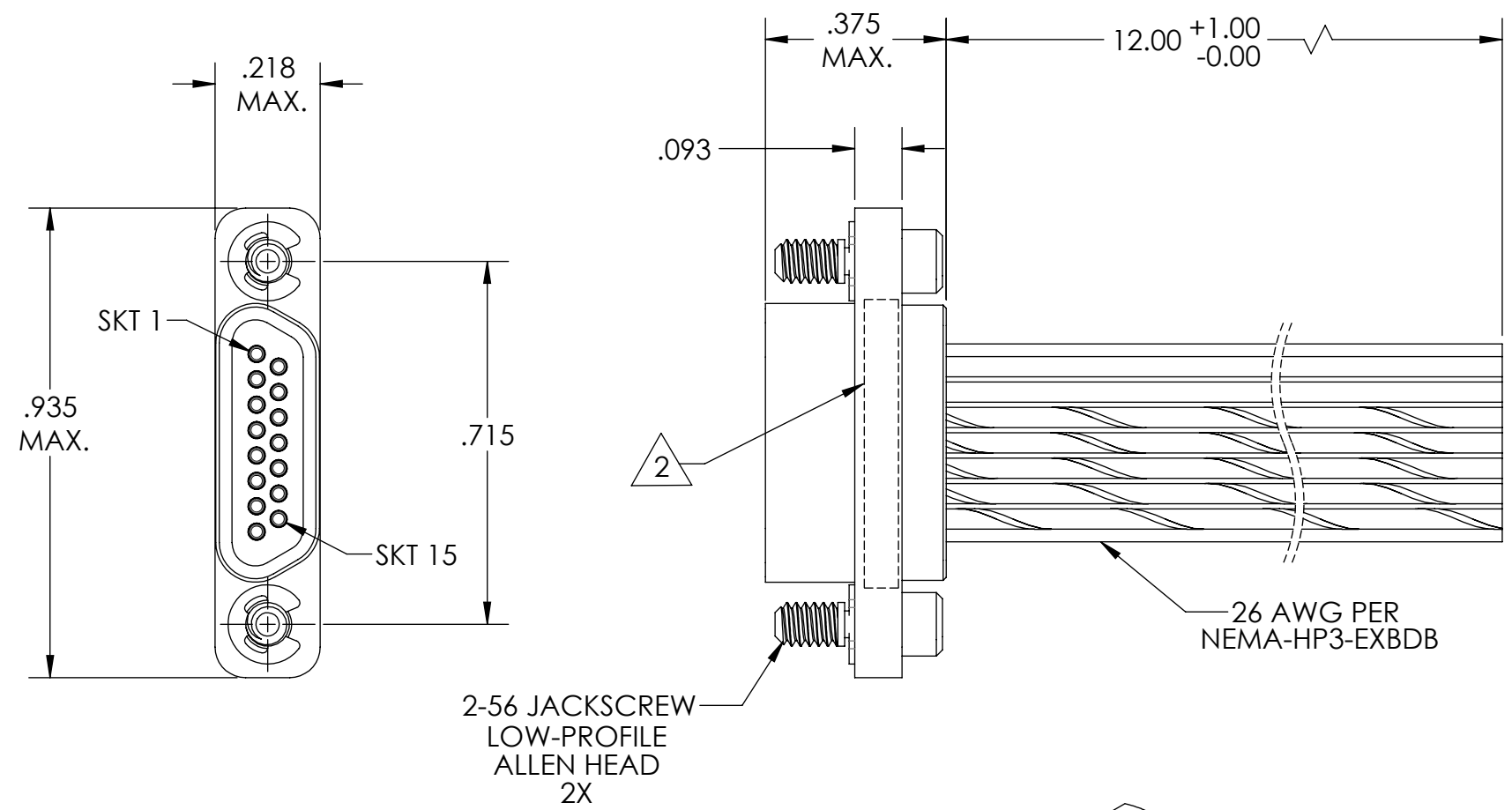
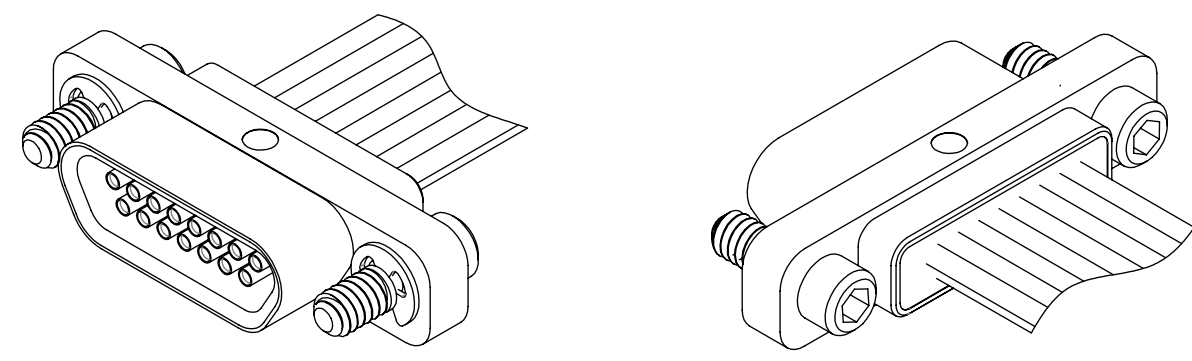


PART REV	DWG ISSUE	DATE	ECN NO.	APPVD BY	REL BY
-	-	3/23/15	UMI5562	DW	DW

F  
E  
D  
C  
B  
A



1	BLK
2	BRN
3	RED
4	ORG
5	YEL
6	GRN
7	BLU
8	VIO
9	GRY
10	WHT
11	W/BLK
12	W/BRN
13	W/RED
14	W/ORG
15	W/YEL



4. PERFORMANCE SPECIFICATIONS (AT AMBIENT TEMPERATURE):  
 CURRENT RATING: 3 AMPS MAX.  
 INSULATION RESISTANCE: 5000 MEGOHMS MIN.  
 DWV: 600 VAC  
 TEMPERATURE RATING: 200° C

3 MATERIALS:  
 SHELL: 6061-T6 ALUMINUM PER AMS-QQ-A200/8, NICKEL PLATED PER AMS-2404  
 INSULATOR: PPS PER MIL-M-24519 GST-40F, COLOR: BLACK  
 SOCKET CONTACT: C21000 COPPER ALLOY PER ASTM B36, GOLD PLATED PER ASTM B488  
 WIRE: 26 AWG PER NEMA-HP3-EXBDB, COLOR CODE: PER MIL-STD-681  
 HARDWARE: PASSIVATED STAINLESS STEEL IAW MIL-DTL-83513/5

2 MARKING: "UMI", DATE CODE, UMI PART NUMBER

1. CONNECTOR ASSEMBLY IS IAW MIL-DTL-83513 UNLESS OTHERWISE SPECIFIED.

**NOTES: UNLESS OTHERWISE SPECIFIED.**

QUALITY SYMBOLS CRITICAL MAJOR NO SYMBOLS = MINOR DIMENSIONS	UNLESS OTHERWISE SPECIFIED: ALL DIMENSIONS ARE IN INCHES	SCALE <b>3:1</b>	DWG SIZE <b>B</b>	THIRD ANGLE PROJECTION	REVISE ON CAD ONLY		
	GENERAL TOLERANCES: 3 PLACES ±.005 2 PLACES ±.01 ANGULAR ±2°	DRAWN BY & DATE <b>DU 3/23/15</b>	TITLE: <b>MICRO-D CONNECTOR ASSEMBLY,                  LOW-PROFILE, AR15S02-26E5-12.0-S01-HT</b>		MATERIAL: 3	ENG PROJECT #: NONE	
	ULTI-MATE CAGE CODE <b>58967</b>	CHECKED BY & DATE <b>DW 3/23/15</b>	APPROVED BY & DATE <b>DW 3/23/15</b>	CAD FILE NAME <b>SD-434421022.SLDDRW</b>	PART NO. <b>434421022</b>	DRAWING NO. <b>SD-434421022</b>	SHEET NO. <b>1 of 1</b>
	THIS DRAWING CONTAINS INFORMATION THAT IS PROPRIETARY TO ULTI-MATE INCORPORATED AND SHOULD NOT BE USED WITHOUT WRITTEN PERMISSION.						PART REV. -