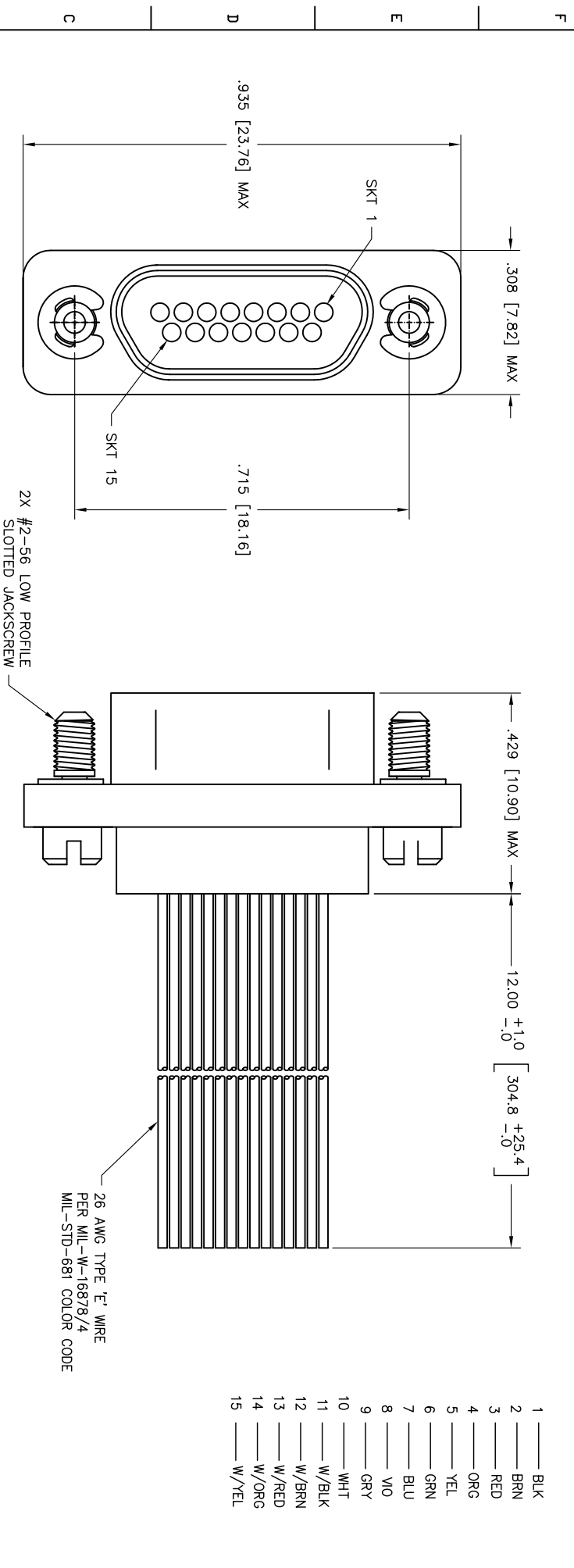


PART DWG REV ISSUE	DATE	ECN NO.	APPD BY	REL BY
-	12/28/12	UM14837		



3. TEMPERATURE RATING 200°C.

2. MATERIALS:
 SHELL: 6061-T6 ALUMINUM PER SAE-AMS-QQ-A200/8, NICKEL PLATED PER AMS 2404.
 INSULATOR: PPS PER MIL-M-24519 GST-40F, COLOR: BLACK
 SOCKET CONTACTS: C21000 COPPER ALLOY PER ASTM B36, GOLD PLATED PER ASTM B488
 HARDWARE: STAINLESS STEEL 303, PASSIVATED PER MIL-DTL-83513/5
 INTERFACIAL SEAL: FLUOROSILICONE PER MIL-R-25988

1. MARKINGS: UMI, DATE CODE, UMI P/N AS SPACE PERMITS

NOTES: UNLESS OTHERWISE SPECIFIED

QUALITY SYMBOLS	UNLESS SPECIFIED, ALL DIMENSIONS IN INCHES	SCALE	DWG SIZE	THIRD ANGLE PROJECTION	REVISE ON CAD ONLY
MAJOR =	GENERAL TOLERANCES:	DRAWN BY & DATE	B	⊙	
CRITICAL =	3 PLACE ±.005	PR 12-27-12			
SPC =	2 PLACE ±.010	CHECKED BY & DATE			
S =	ANGULAR ±2°	APPROVED BY & DATE			
		CAD FILENAME	PART NO.	DRAWING NO.	SHEET NO.
		Uti+Mate CAGE CODE 58967	434221025	SD-434221025	1 OF 1
		THIS DRAWING CONTAINS INFORMATION THAT IS PROPRIETARY TO UTI-MATE INCORPORATED AND SHOULD NOT BE USED WITHOUT WRITTEN PERMISSION.			