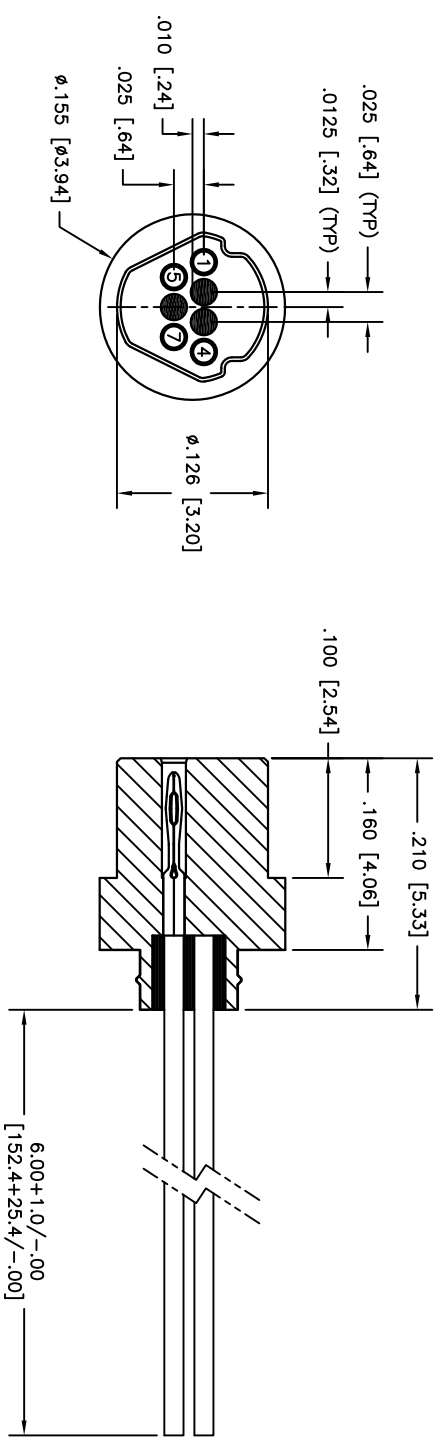


10 9 8 7 6 5 4 3 2 1

- WIRING COLOR CODE
- 1 — BLACK
 - 2 — EPOXY FILLED
 - 3 — EPOXY FILLED
 - 4 — BROWN
 - 5 — RED
 - 6 — EPOXY FILLED
 - 7 — ORANGE



3. PERFORMANCE: MEETS OR EXCEEDS M32139 PERFORMANCE SPECIFICATIONS
 CONTACT RATING: 1 AMPERE MAXIMUM
 DMV: 250 VAC
 INSULATION RESISTANCE: 5000 MEGOHMS MINIMUM @ 100 VDC
 CONTACT RESISTANCE: 0.071 VOLT MAXIMUM DROP @ 1.0 AMPS (.071 OHMS)
 W/6.00" OF WIRE LISTED BELOW, PER MIL-DTL-32139

2. MATERIALS: INSULATOR: LCP (LIQUID CRYSTAL POLYMER) GLCP-30F
 CONTACTS: BERYLLIUM COPPER PER ASTM B194, GOLD PLATED PER ASTM B488
 LEADS: 30 AWG, NEMA HP3, TYPE ET, COLOR CODED PER MIL-DTL-681, SYSTEM 1,
 EXCEPT USING 10 SOLID REPEATING COLORS
 EPOXY: 200° CELSIUS

1. MARKINGS: UMI, UMI P/N, DATE CODE & W/O NO. ON BAG OR TAG
 NOTES: UNLESS OTHERWISE SPECIFIED

| PART DWG | DATE | ECN NO. | APP'D BY | REL BY |
|----------|----------|---------|----------|--------|
| - | 09/27/16 | UMI6102 | TPOWBART | PER |

| QUALITY SYMBOLS | UNLESS SPECIFIED, ALL DIMENSIONS IN INCHES | SCALE | DWG SIZE | THIRD ANGLE PROJECTION | REVISE ON CAD ONLY |
|-----------------|--|---|------------------|------------------------|--------------------|
| MAJOR = | GENERAL TOLERANCES: | 10:1 | B | | |
| CRITICAL = | 3 PLACE ±.005 | DRAWN BY & DATE | PER 08-29-16 | | |
| C = | 2 PLACE ±.010 | CHECKED BY & DATE | SEE ECN | | |
| SPC = | ANGULAR ±2° | APPROVED BY & DATE | SEE ECN | | |
| UTi-Mate | UTi-Mate CASE CODE | CAD FILENAME | SD-421090000.DWG | PART NO. | 421090000 |
| 58967 | | DRAWING NO. | SD-421090000 | DRAWING NO. | SD-421090000 |
| | | THIS DRAWING CONTAINS INFORMATION THAT IS PROPRIETARY TO ULTI-MATE INCORPORATED AND SHOULD NOT BE USED WITHOUT WRITTEN PERMISSION | | | |
| | | | | SHEET NO. | 1 OF 1 |
| | | | | REV | - |