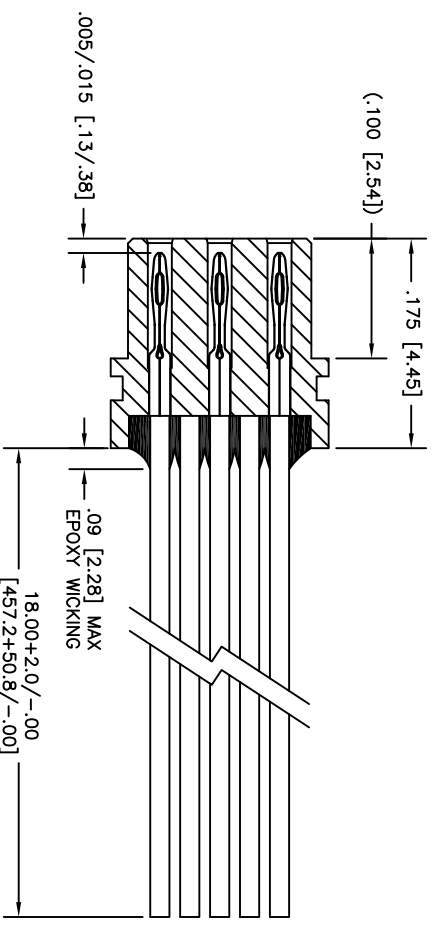
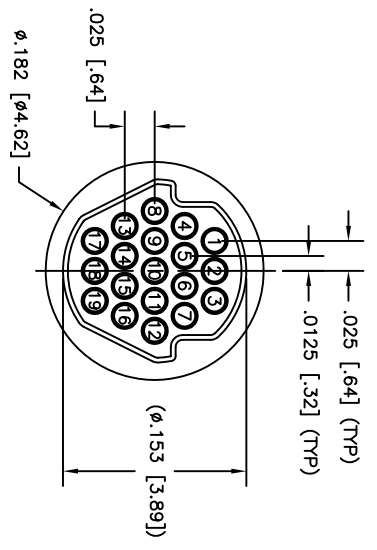


WIRING COLOR CODE

- 1 — BLACK
- 2 — BROWN
- 3 — RED
- 4 — ORANGE
- 5 — YELLOW
- 6 — GREEN
- 7 — BLUE
- 8 — VIOLET
- 9 — GRAY
- 10 — WHITE
- 11 — BLACK
- 12 — BROWN
- 13 — RED
- 14 — ORANGE
- 15 — YELLOW
- 16 — GREEN
- 17 — BLUE
- 18 — VIOLET
- 19 — GRAY



3. PERFORMANCE: MANUFACTURED TO MEET THE FOLLOWING M32139 PERFORMANCE SPECIFICATIONS
 CONTACT RATING: 1 AMPERE MAXIMUM
 DMW: 250 VAC
 INSULATION RESISTANCE: 5000 MEGOHMS MINIMUM @ 100 VDC
 CONTACT RESISTANCE: 0.071 VOLT MAXIMUM DROP @ 1.0 AMPS (0.71 OHMS)
 W/6.00" OF WIRE LISTED BELOW, PER MIL-DTL-32139

2. MATERIALS: INSULATOR: LCP (LIQUID CRYSTAL POLYMER) GLCP-30F
 CONTACTS: BERYLLIUM COPPER PER ASTM B194, GOLD PLATED PER ASTM B488
 LEADS: 30 AWG, NEMA HP3, TYPE ET, COLOR CODED PER MIL-DTL-681, SYSTEM 1,
 EXCEPT USING 10 SOLID REPEATING COLORS
 EPOXY: 200° CELSIUS

1. MARKINGS: UMI, UMI P/N, DATE CODE & W/O NO. ON BAG OR TAG
 NOTES: UNLESS OTHERWISE SPECIFIED

PART DWG	DATE	ECN NO.	APPD BY	REL BY
REV	ISSUE			
-	-	07/10/18	UMI6821	TPOMBART
				PER

QUALITY SYMBOLS	UNLESS SPECIFIED, ALL DIMENSIONS IN INCHES	SCALE	DWG SIZE	THIRD ANGLE PROJECTION	REVISE ON CAD ONLY
MAJOR =	GENERAL TOLERANCES:	10:1	B		
MINOR =	3 PLACE ±.005	DRAWN BY & DATE			
CRITICAL =	2 PLACE ±.010	PER 07-09-18			
ANGULAR ±2°		CHECKED BY & DATE			
		SEE ECN			
		APPROVED BY & DATE			
		SEE ECN			
SPC	UT+-MATE CASE CODE	CAD FILENAME	PART NO.	DRAWING NO.	
UT+-MATE CASE CODE	58967	SD-421041120.DWG	421041120	SD-421041120	
		THIS DRAWING CONTAINS INFORMATION THAT IS PROPRIETARY TO ULTI-MATE INCORPORATED AND SHOULD NOT BE USED WITHOUT WRITTEN PERMISSION.			
				SHEET NO.	PART REV
				1 OF 1	-