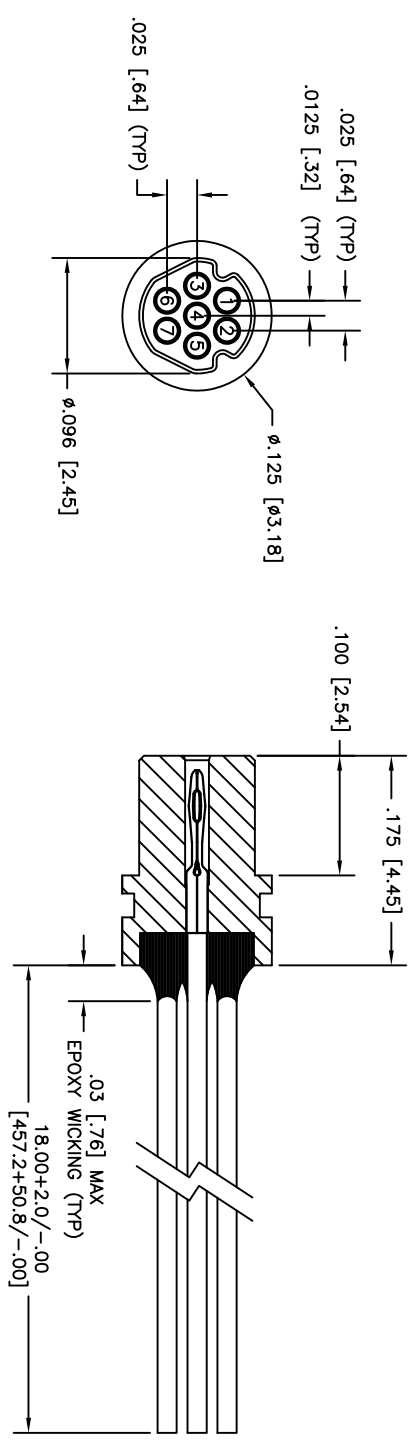


WIRING COLOR CODE

- 1 — BLACK
- 2 — BROWN
- 3 — RED
- 4 — ORANGE
- 5 — YELLOW
- 6 — GREEN
- 7 — BLUE



3. PERFORMANCE: MEETS OR EXCEEDS M32139 PERFORMANCE SPECIFICATIONS

CONTACT RATING: 1 AMPERE MAXIMUM
 DWM: 250 VAC
 INSULATION RESISTANCE: 5000 MEGOHMS MINIMUM @ 100 VDC
 CONTACT RESISTANCE: 0.071 VOLT MAXIMUM DROP @ 1.0 AMPS (.071 OHMS)
 W/6.00" OF WIRE LISTED BELOW, PER MIL-DTL-32139

2. MATERIALS: INSULATOR: LCP (LIQUID CRYSTAL POLYMER) GLCP-30F
 CONTACT: BERYLLIUM COPPER PER ASTM B194, GOLD PLATED PER ASTM B488
 LEADS: 30 AWG, NEMA HP3, TYPE ET, COLOR CODED PER MIL-DTL-681, SYSTEM 1
 HARDWARE: 303 STAINLESS PER ASTM 582
 EPOXY: 200° CELSIUS

1. MARKINGS: UMI, DATE CODE, UMI P/N ON BAG OR TAG
 NOTES: UNLESS OTHERWISE SPECIFIED

PART DWG	DATE	ECN NO.	APPD BY	REL BY
REV ISSUE			TPOWBART	PER
-	09/04/14	UMI5412		

QUALITY SYMBOLS	UNLESS SPECIFIED, ALL DIMENSIONS IN INCHES	SCALE	DWG SIZE	THIRD ANGLE PROJECTION	REVISE ON CAD ONLY
MAJOR =	GENERAL TOLERANCES:	10:1	B		
CRITICAL =	3 PLACE $\pm .005$	DRAWN BY & DATE			
SPC =	2 PLACE $\pm .010$	PER 09-03-14			
S =	ANGULAR $\pm 2'$	CHECKED BY & DATE			
		SEE ECN			
		APPROVED BY & DATE			
		SEE ECN			
		CAD FILENAME			
		SD-421031120.DWG			
		PART NO.			
		421031120			
		DRAWING NO.			
		SD-421031120			
		SHEET NO.			
		1 OF 1			
		REV			
		-			

THIS DRAWING CONTAINS INFORMATION THAT IS PROPRIETARY TO ULTI-MATE INCORPORATED AND SHOULD NOT BE USED WITHOUT WRITTEN PERMISSION

