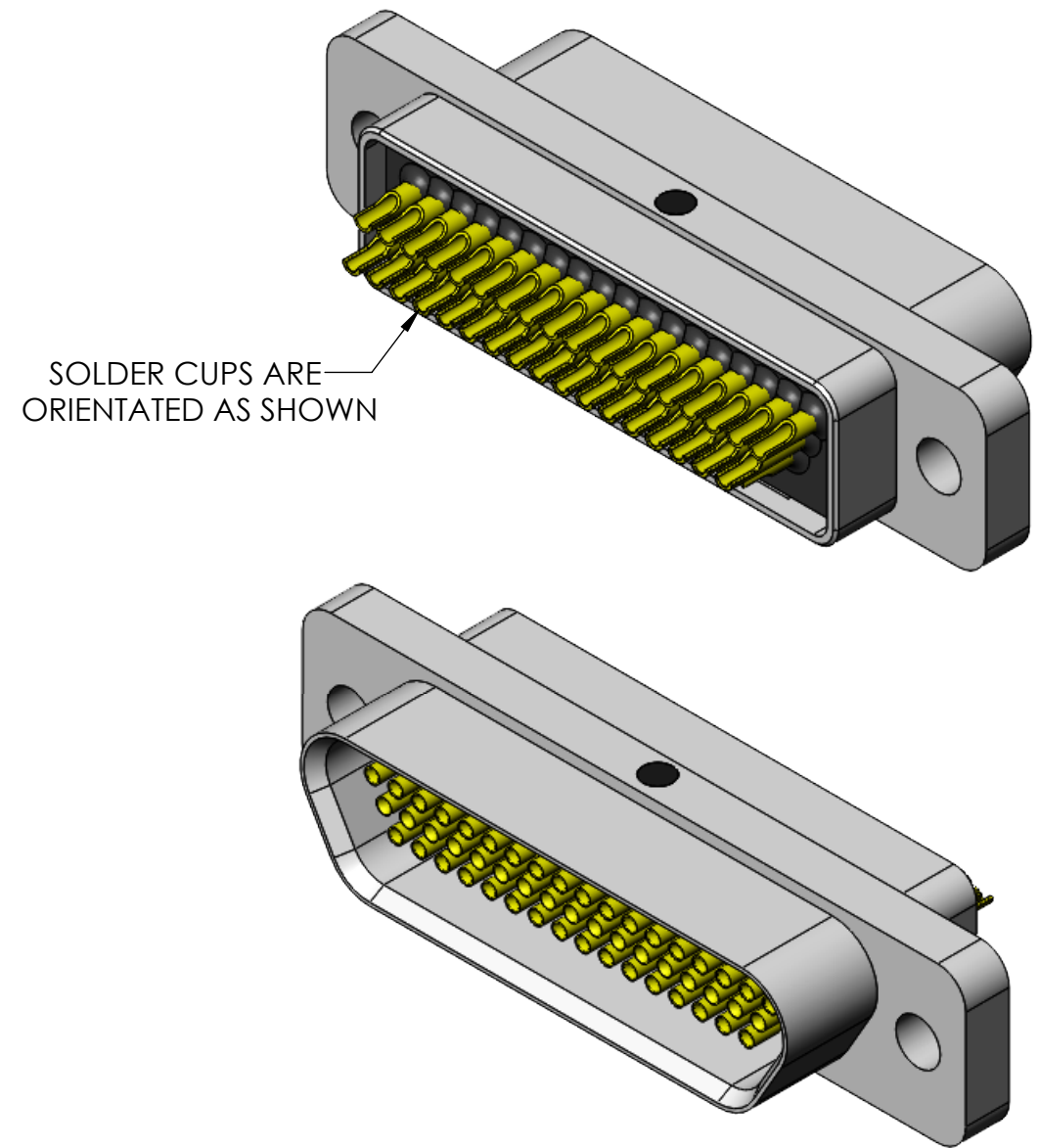
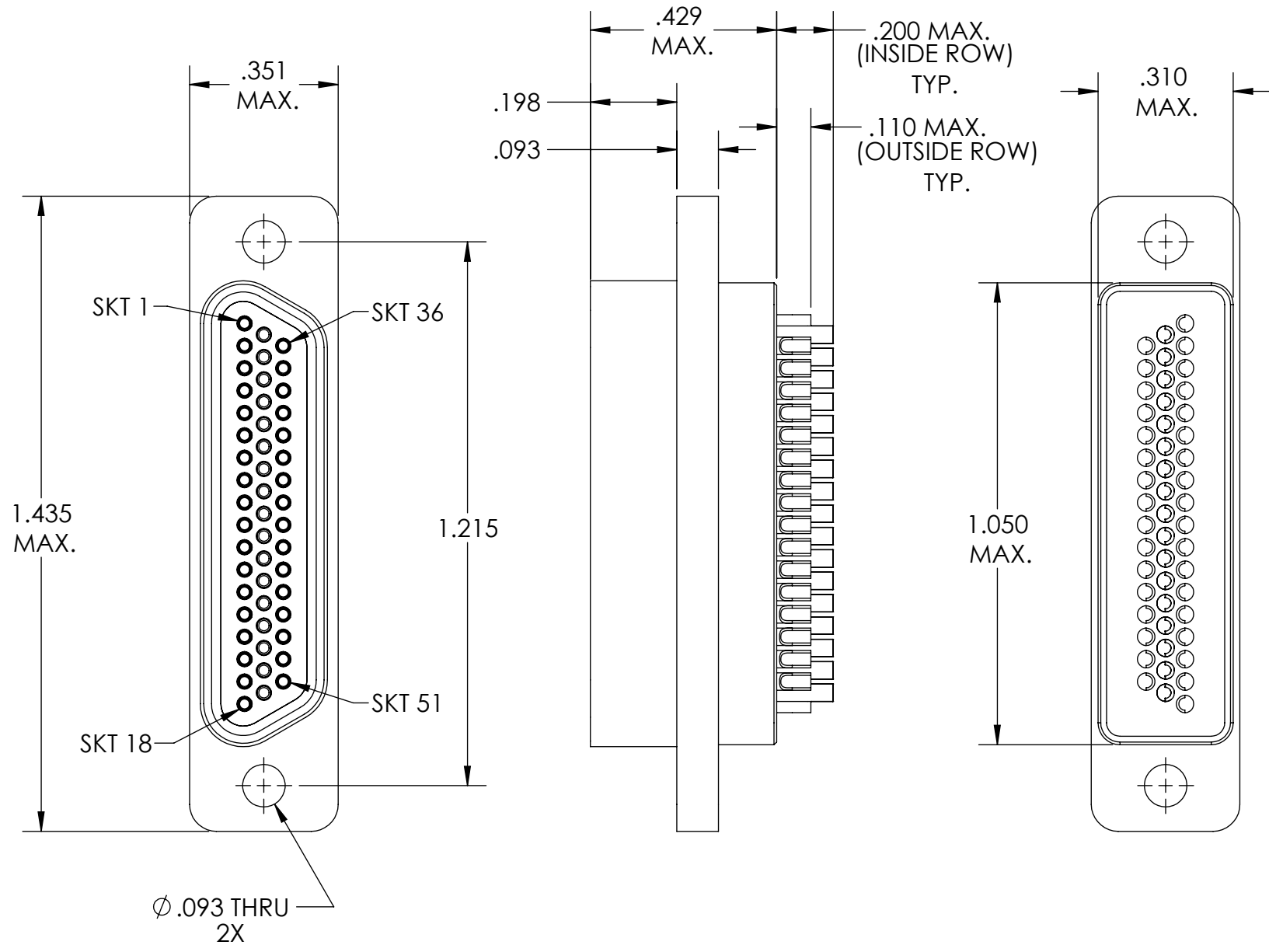


PART REV	DWG ISSUE	DATE	ECN NO.	APPVD BY	REL BY
-	-	5/23/22	UMI8033	DU	DW

F
E
D
C
B
A



5. CONTACT HEIGHTS ARE TO BE PER QA-STD-101.

4. PERFORMANCE SPECIFICATIONS (AT ROOM TEMPERATURE):
 CURRENT RATING: 3 AMPS MAX.
 INSULATION RESISTANCE: 5000 MEGOHM MIN.
 DWV: 600 VAC
 SERVICE TEMPERATURE RANGE: 4K (-269°C) TO 121 °C

3 MATERIALS:
 SHELL: 6061-T6 ALUMINUM PER AMS-Q-Q-A200/8, NICKEL PLATED PER AMS-2404
 INSULATOR: PPS PER MIL-M-24519 GST-40F, COLOR: BLACK
 SOCKET CONTACTS/SOLDER CUPS: C31400 BRASS ALLOY PER ASTM B140, GOLD PLATED PER ASTM B488

2. MARKING: "UMI", DATE CODE, UMI PART NUMBER, UMI WORK ORDER NUMBER

1. CONNECTOR ASSEMBLY IS IAW MIL-DTL-83513 WHERE APPLICABLE.

NOTES: UNLESS OTHERWISE SPECIFIED.

QUALITY SYMBOLS CRITICAL MAJOR NO SYMBOLS = MINOR DIMENSIONS	UNLESS OTHERWISE SPECIFIED: ALL DIMENSIONS ARE IN INCHES GENERAL TOLERANCES: 3 PLACES ±.005 [.127] 2 PLACES ±.01 [.25] ANGULAR ±2° [50°] ULTI-MATE CAGE CODE 58967	SCALE 3:1	DWG SIZE B	THIRD ANGLE PROJECTION 	REVISE ON CAD ONLY			
		DRAWN BY & DATE DU 5/23/22		TITLE: CONNECTOR ASSEMBLY, MR51-3T0-S01-LO, LOW-TEMP, (CRYO-TEMP)				
		CHECKED BY & DATE DW 5/23/22		MATERIAL: 	ENG PROJECT #: TR712			
		APPROVED BY & DATE DW 5/23/22		PART NO. 134271000	DRAWING NO. SD-134271000		SHEET NO. 1 of 1	
		CAD FILE NAME SD-134271000.SLDDRW		PART REV. -				

THIS DRAWING CONTAINS INFORMATION THAT IS PROPRIETARY TO ULTI-MATE INCORPORATED AND SHOULD NOT BE USED WITHOUT WRITTEN PERMISSION.