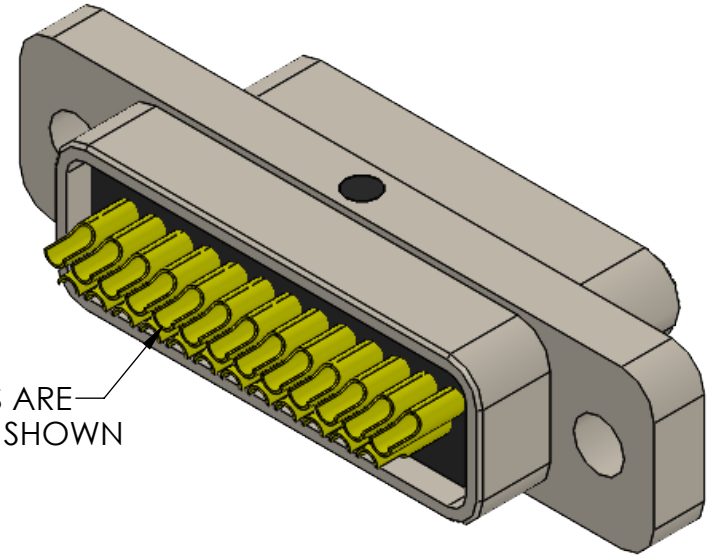
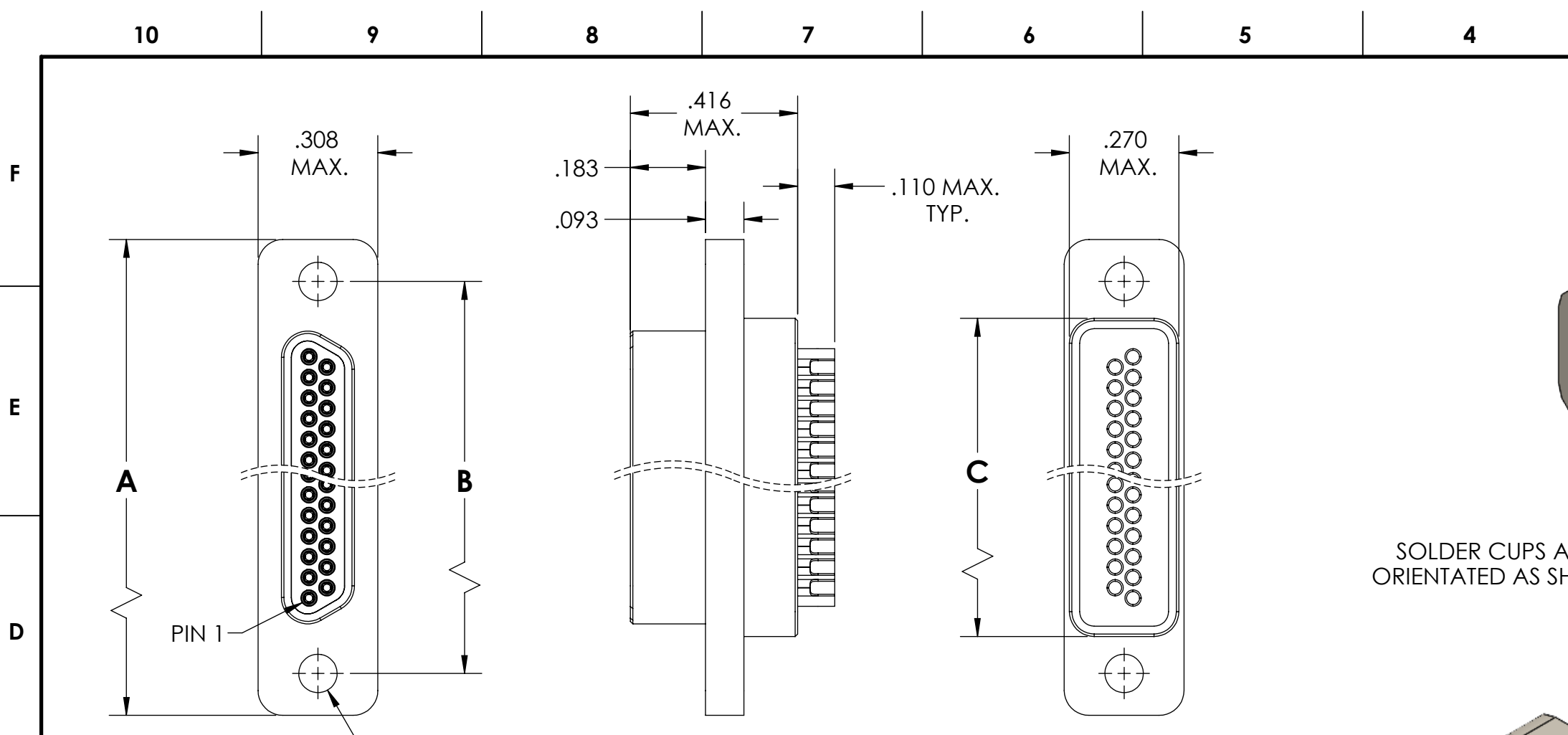
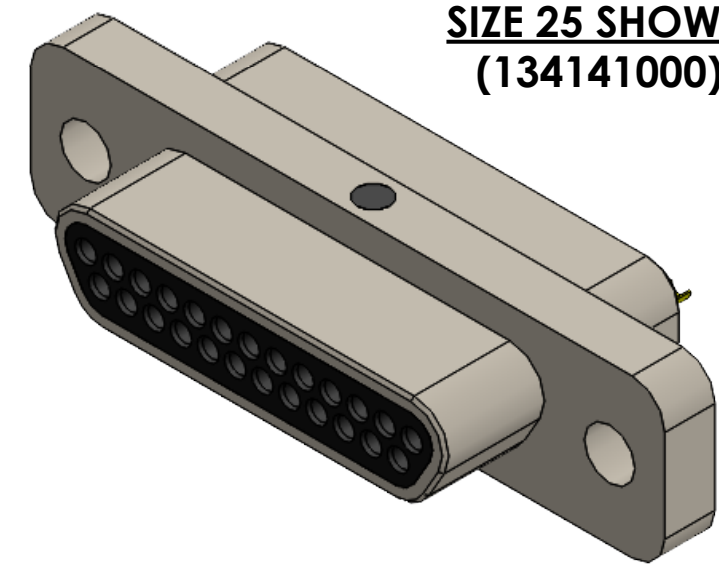


PART REV	DWG ISSUE	DATE	ECN NO.	APPVD BY	REL BY
-	-	5/12/22	UMI8029	DU	DW



**SIZE 25 SHOWN
(134141000)**



PART NUMBER	SIZE	REV	A MAX.	B	C MAX.
134111000	9	-	.785	.565	.400
134121000	15	-	.935	.715	.550
134131000	21	-	1.085	.865	.700
134141000	25	-	1.185	.965	.800
134151000	31	-	1.335	1.115	.950
134161000	37	-	1.485	1.265	1.100

- 5. CONTACT HEIGHTS ARE TO BE PER QA-STD-101.
- 4. PERFORMANCE SPECIFICATIONS (AT ROOM TEMPERATURE):
 CURRENT RATING: 3 AMPS MAX.
 INSULATION RESISTANCE: 5000 MEGOHM MIN.
 DWV: 600 VAC
 SERVICE TEMPERATURE RANGE: 4K (-269 °C) TO 121 °C

3 MATERIALS:
 SHELL: 6061-T6 ALUMINUM PER AMS-Q-Q-A200/8, NICKEL PLATED PER AMS-2404
 INSULATOR: PPS PER MIL-M-24519 GST-40F, COLOR: BLACK
 PIN CONTACTS/SOLDER CUPS: C17200 BERYLLIUM COPPER PER ASTM B194, GOLD PLATED PER ASTM B488

- 2. MARKING: "UMI", DATE CODE, UMI PART NUMBER, UMI WORK ORDER NUMBER
- 1. CONNECTOR ASSEMBLY IS IAW MIL-DTL-83513 WHERE APPLICABLE.

NOTES: UNLESS OTHERWISE SPECIFIED.

QUALITY SYMBOLS CRITICAL $\nabla_C = 2$ MAJOR \blacktriangledown NO SYMBOLS = MINOR DIMENSIONS	UNLESS OTHERWISE SPECIFIED: ALL DIMENSIONS ARE IN INCHES GENERAL TOLERANCES: 3 PLACES $\pm .005$ [.127] 2 PLACES $\pm .01$ [.25] ANGULAR $\pm 2^\circ$ [50°]	SCALE 3:1	DWG SIZE B	THIRD ANGLE PROJECTION	REVISE ON CAD ONLY	
	DRAWN BY & DATE DU 4/14/22	TITLE: CONNECTOR ASSEMBLY, MRXXN0-S01-LO, SIZES 9 THRU 37, CRYO-TEMP				
	CHECKED BY & DATE DW 4/14/22	MATERIAL: $\triangle 3$	ENG PROJECT #: TR712			SHEET NO. 1 of 1
	APPROVED BY & DATE DW 4/14/22	CAD FILE NAME SD-134111000.SLDDRW	PART NO. SEE TABLE 1	DRAWING NO. SD-134111000	PART REV. -	

MULTI-MATE CAGE CODE
58967

THIS DRAWING CONTAINS INFORMATION THAT IS PROPRIETARY TO ULTI-MATE INCORPORATED AND SHOULD NOT BE USED WITHOUT WRITTEN PERMISSION.