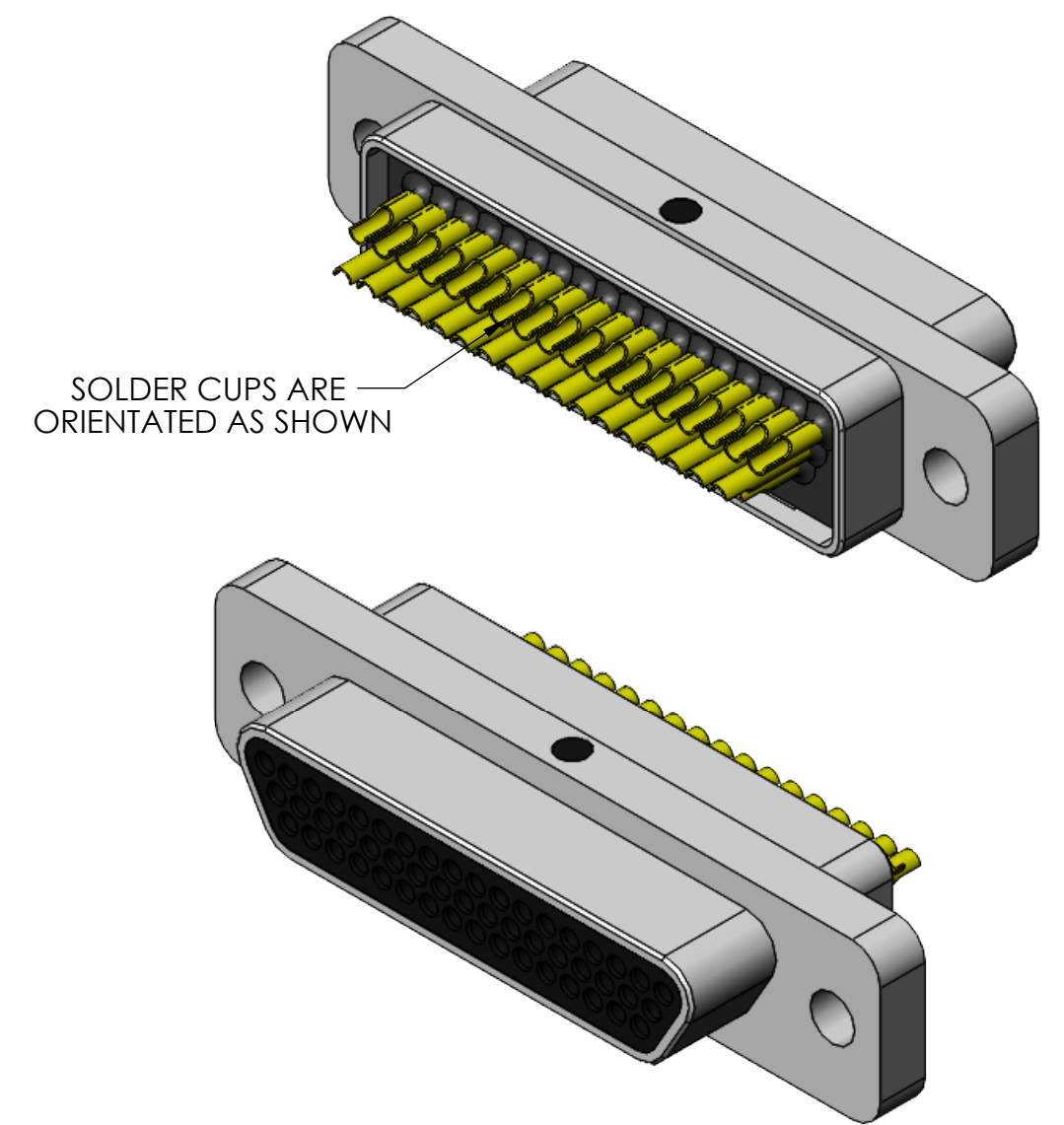
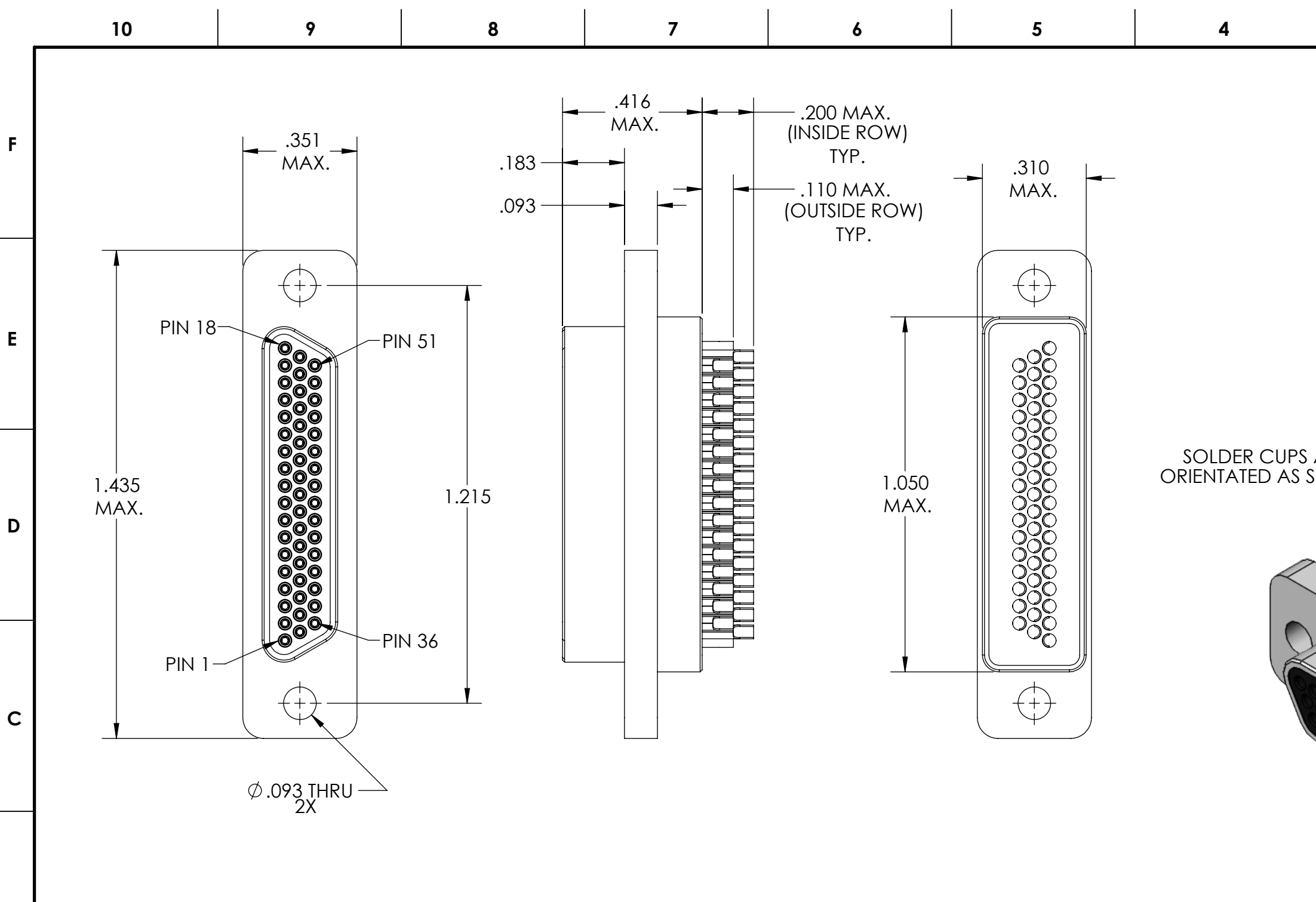


PART REV	DWG ISSUE	DATE	ECN NO.	APPVD BY	REL BY
-	-	5/23/22	UMI8033	DU	DW



- 5. CONTACT HEIGHTS ARE TO BE PER QA-STD-101.
- 4. PERFORMANCE SPECIFICATIONS (AT ROOM TEMPERATURE):
 CURRENT RATING: 3 AMPS MAX.
 INSULATION RESISTANCE: 5000 MEGOHM MIN.
 DWV: 600 VAC
 SERVICE TEMPERATURE RANGE: 4K (-269 °C) TO 121 °C

3 MATERIALS:
 SHELL: 6061-T6 ALUMINUM PER AMS-Q-Q-A200/8, NICKEL PLATED PER AMS-2404
 INSULATOR: PPS PER MIL-M-24519 GST-40F, COLOR: BLACK
 PIN CONTACTS/SOLDER CUPS: C17200 BERYLLIUM COPPER PER ASTM B194, GOLD PLATED PER ASTM B488

- 2. MARKING: "UMI", DATE CODE, UMI PART NUMBER, UMI WORK ORDER NUMBER
- 1. CONNECTOR ASSEMBLY IS IAW MIL-DTL-83513 WHERE APPLICABLE.

NOTES: UNLESS OTHERWISE SPECIFIED.

QUALITY SYMBOLS CRITICAL $\nabla_C=2$ MAJOR \blacktriangledown NO SYMBOLS = MINOR DIMENSIONS	UNLESS OTHERWISE SPECIFIED: ALL DIMENSIONS ARE IN INCHES GENERAL TOLERANCES: 3 PLACES $\pm .005$ [.127] 2 PLACES $\pm .01$ [.25] ANGULAR $\pm 2^\circ$ [50°]	SCALE 3:1	DWG SIZE B	THIRD ANGLE PROJECTION	REVISE ON CAD ONLY
	ULTI-MATE CAGE CODE 58967	DRAWN BY & DATE DU 5/23/22	TITLE: CONNECTOR ASSEMBLY, MR51-3N0-S01-LO, LOW-TEMP, (CRYO-TEMP)		
		CHECKED BY & DATE DW 5/23/22	MATERIAL: 3	ENG PROJECT #: TR712	
		APPROVED BY & DATE DW 5/23/22	CAD FILE NAME SD-134171000.SLDDRW	PART NO. 134171000	DRAWING NO. SD-134171000
THIS DRAWING CONTAINS INFORMATION THAT IS PROPRIETARY TO ULTI-MATE INCORPORATED AND SHOULD NOT BE USED WITHOUT WRITTEN PERMISSION.					